



CONTAINER STAIRS

PROJECT > PRODUCTION > ASSEMBLY



INDEX

■ CONTAINER STAIRS GENERAL INFORMATION	3
■ STEEL STAIRS 2kN	4-13
• technical details	
• practical modular construction	
• safety and confort of usage	
• types of balustrades	
• assembly variants	
■ STEEL STAIRS 5kN	14-21
• technical details	
• practical modular construction	
• types of balustrades	
• assembly variants	
■ ALUMINIUM STAIRS 2kN	22-31
• technical details	
• practical modular construction	
• safety and confort of usage	
• types of balustrades	
• assembly variants	
■ TERRACES	32,33
■ OUR REALISATIONS	34,35

CONTAINER STAIRS

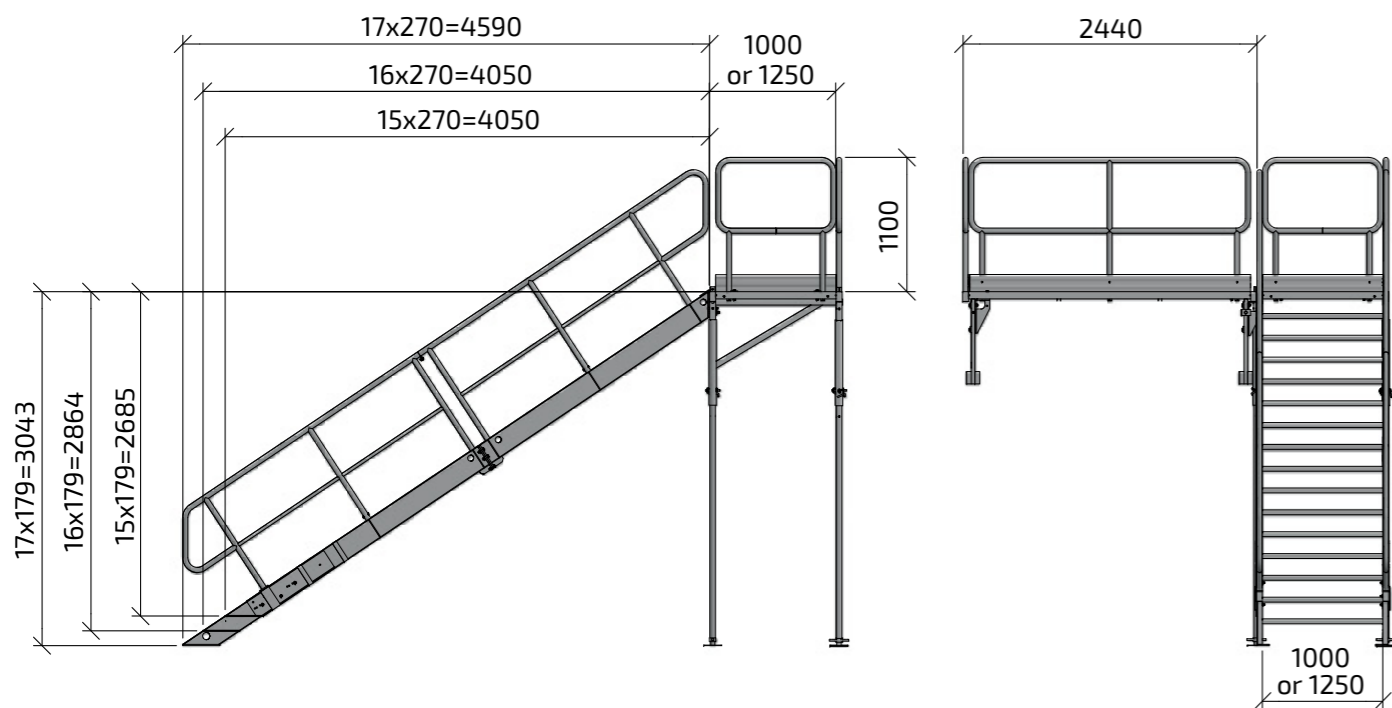
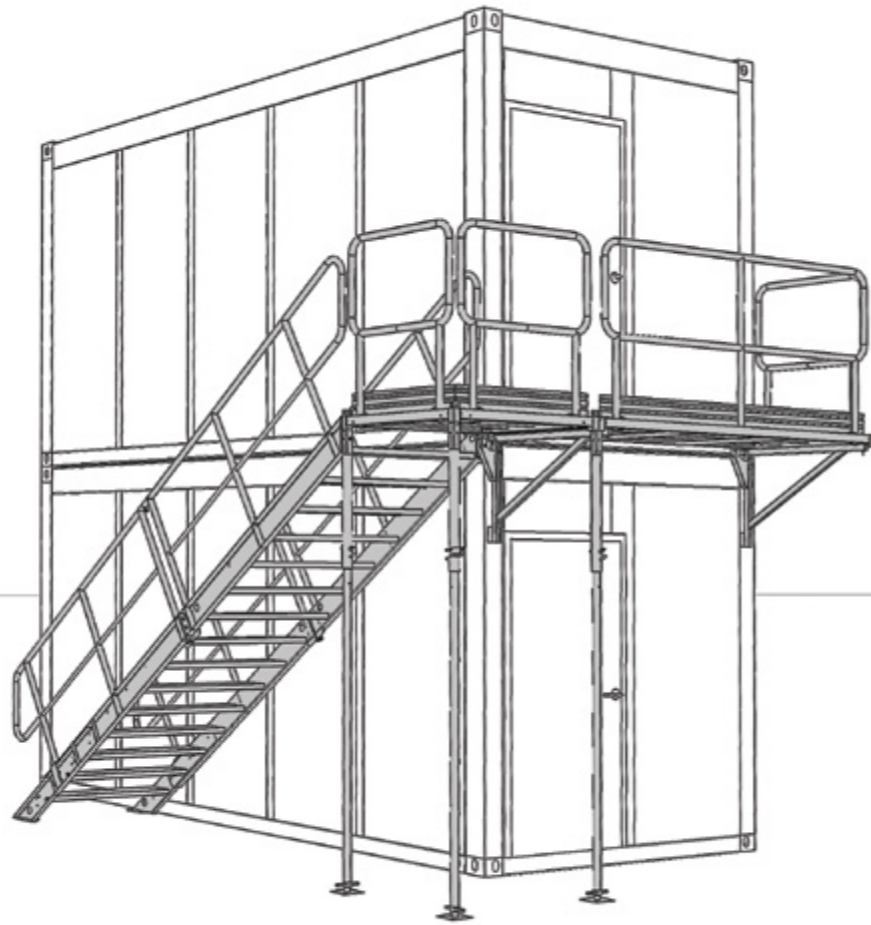
GENERAL INFORMATION

Container stairs are universal, durable and easy to assemble light modular structures designed and manufactured in accordance with European directives and standards. Attention to every detail from project, through production, endurance tests and quality control makes our product reliable even in the most demanding conditions. Thanks to that container stairs provide hassle-free and safe usage through many years.

STANDARD FEATURES OF AVAILABLE SOLUTIONS:

- Safe stairs system designed in accordance to EN ISO 14122-3 and EN 12811-1
- Maximum workloads: 2kN/m² and 5kN/m², depending on version
- Various widths of steps: 1000mm and 1250mm (2kN/m² version) and 1200mm (5kN/m² version)
- The system is compatible with both storage and shipping containers
- Static calculations based on eurocodes, carried out by renowned Austrian company GBD ZT GmbH from Dornbirn **gbuZT**
- Steps and platforms with non slippery surface
- Modular system that enables to easy and space-saving transport, short assembly process, and wide configuration variety depending on container sizes and available space
- Easy to assemble and disassemble without losing its performance values
- Durability and resistance to weather conditions thanks to hot-dipgalvanizing
- Available in two versions: steel and aluminum

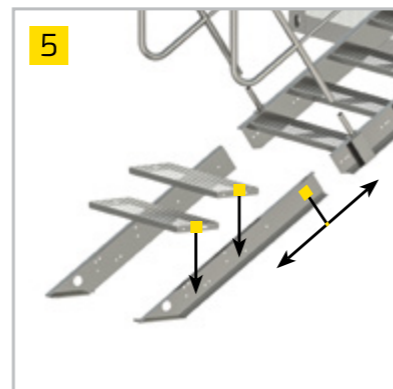
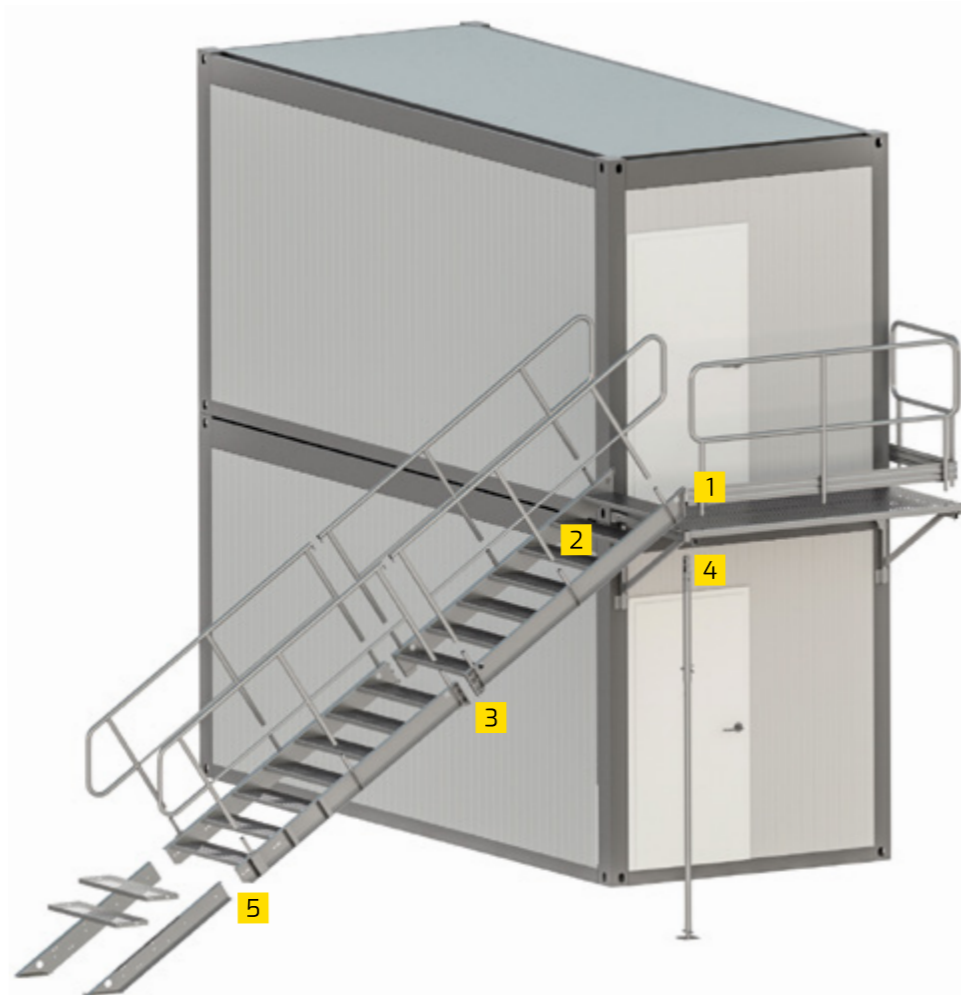
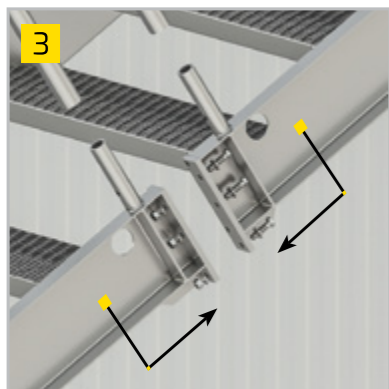
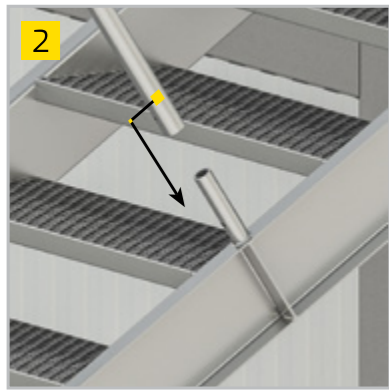
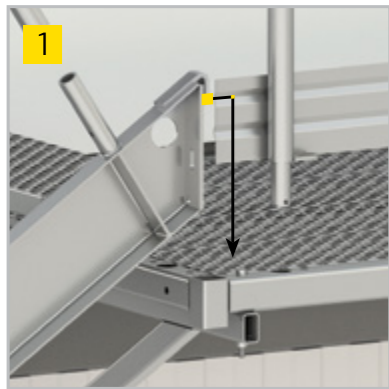
TECHNICAL DETAILS



STEEL STAIRS 2kN

PRACTICAL MODULAR CONSTRUCTION

- FAST AND SIMPLE ASSEMBLY IN ANY CONFIGURATION
- REPEATABILITY OF ELEMENTS
- SMALL NUMBER OF FASTENERS
- EXTENSION POSSIBILITY
- EASY TRANSPORT



SAFETY AND COMFORT OF USAGE

- STEPS AND PLATFORMS WITH NON SLIPPERY SURFACE



- TWO WIDTHS OF STEPS: 1000mm and 1250mm



TYPES OF BALUSTRADES

INDUSTRIAL BALUSTRADE

Light and simple construction that can be used whenever children safe railings are not required by law.

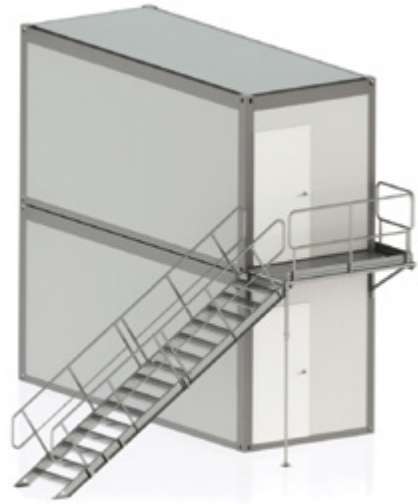


SAFE BALUSTRADE

The railing is filled with additional barriers according to imposed standards. They are used at worksites where rigorous safety norms are in force.



ASSEMBLY VARIANTS



variant S2.1



variant S2.3



variants S2.4, S2.4A, S2.6



variant S2.5



variant S2.5A



variant S2.7



variant S2.8



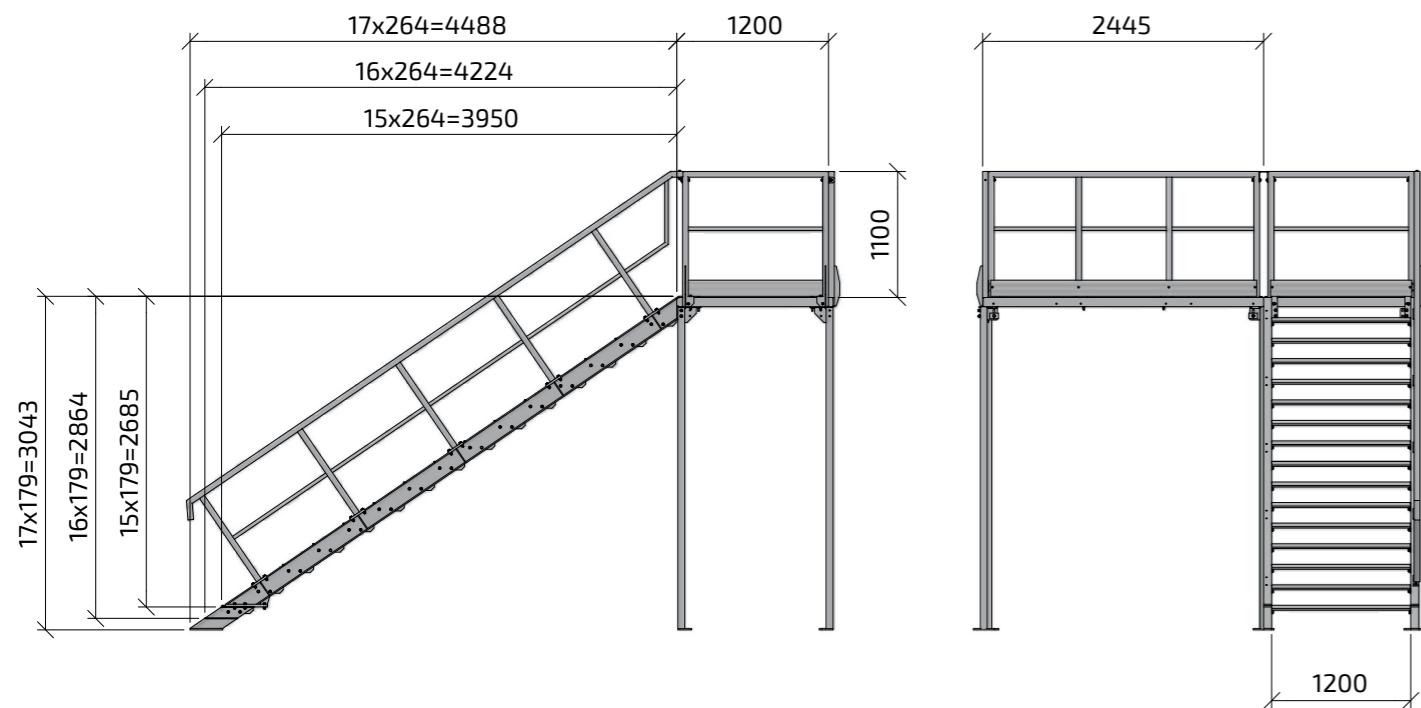
variant S2.9



variant S2.10



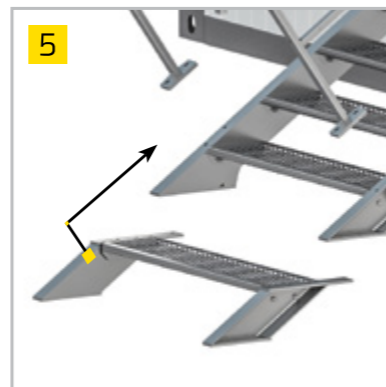
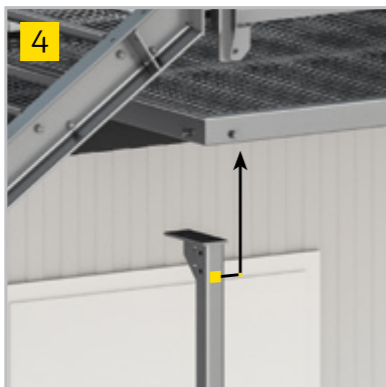
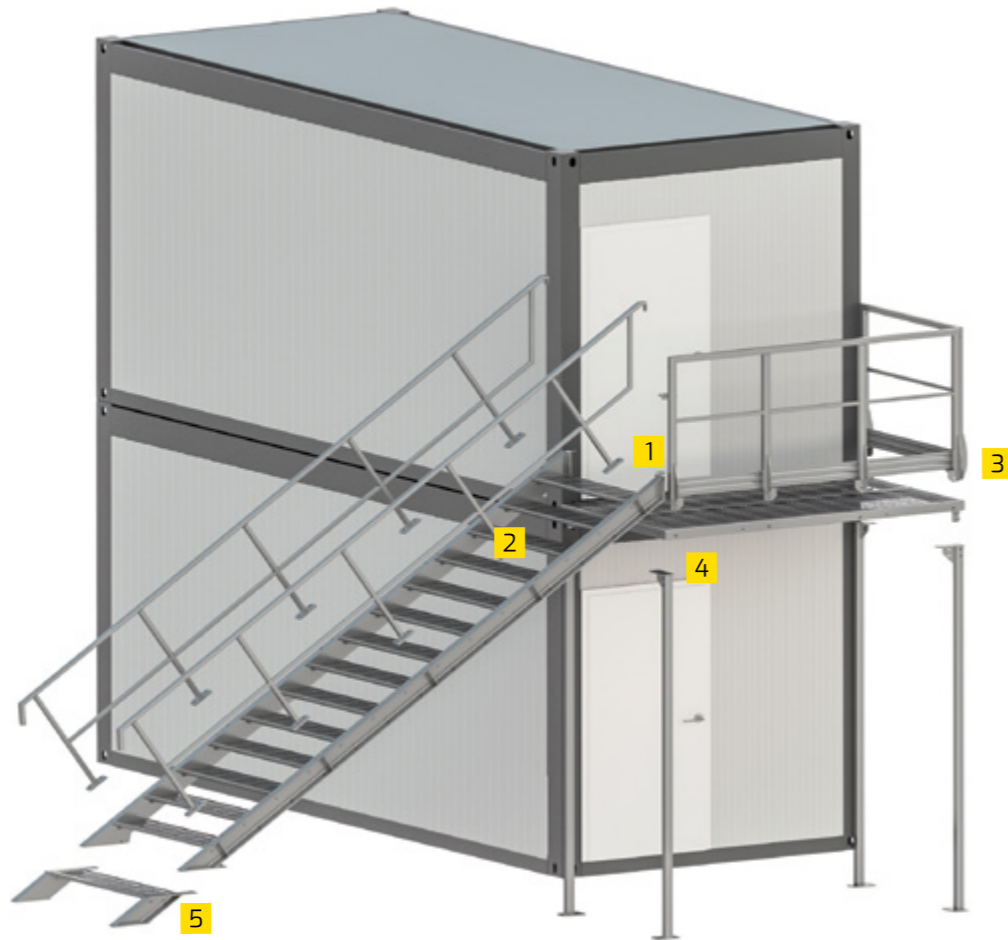
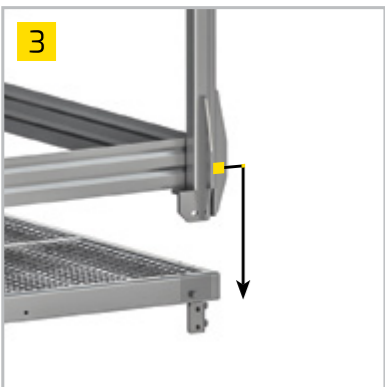
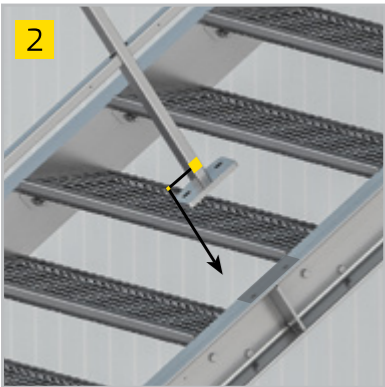
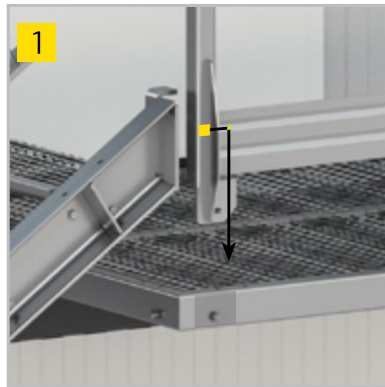
TECHNICAL DETAILS



STEEL STAIRS 5kN

PRACTICAL MODULAR CONSTRUCTION

- FAST AND SIMPLE ASSEMBLY IN ANY CONFIGURATION
- UNIFIED ELEMENTS
- SMALL NUMBER OF FASTENERS
- EXTENSION POSSIBILITY
- EASY TRANSPORT



TYPES OF BALUSTRADES

INDUSTRIAL BALUSTRADE

Light and simple construction that can be used whenever children safe railings are not required by law.

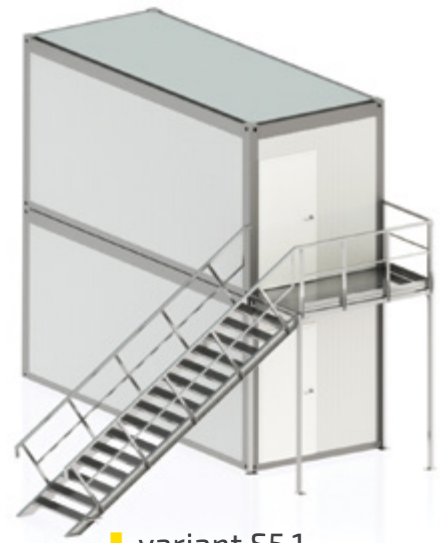


SAFE BALUSTRADE

The railing is filled with additional barriers according to imposed standards. They are used at worksites where rigorous safety norms are in force.



ASSEMBLY VARIANTS



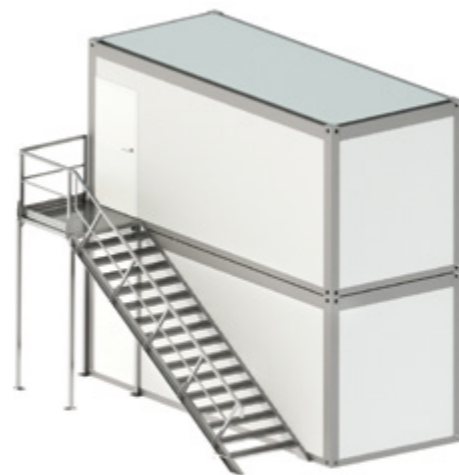
variant S5.1



variant S5.1A



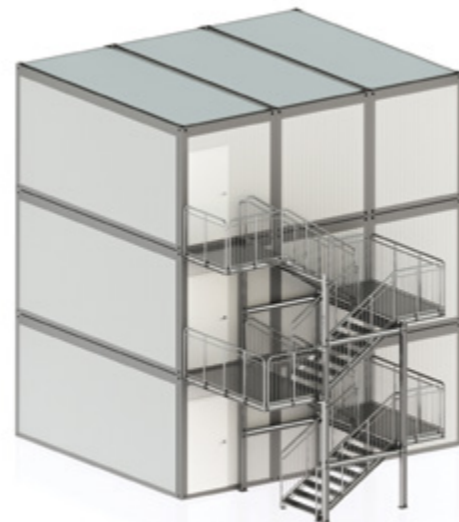
variant S5.3



variants S5.4, S5.4A, S5.6



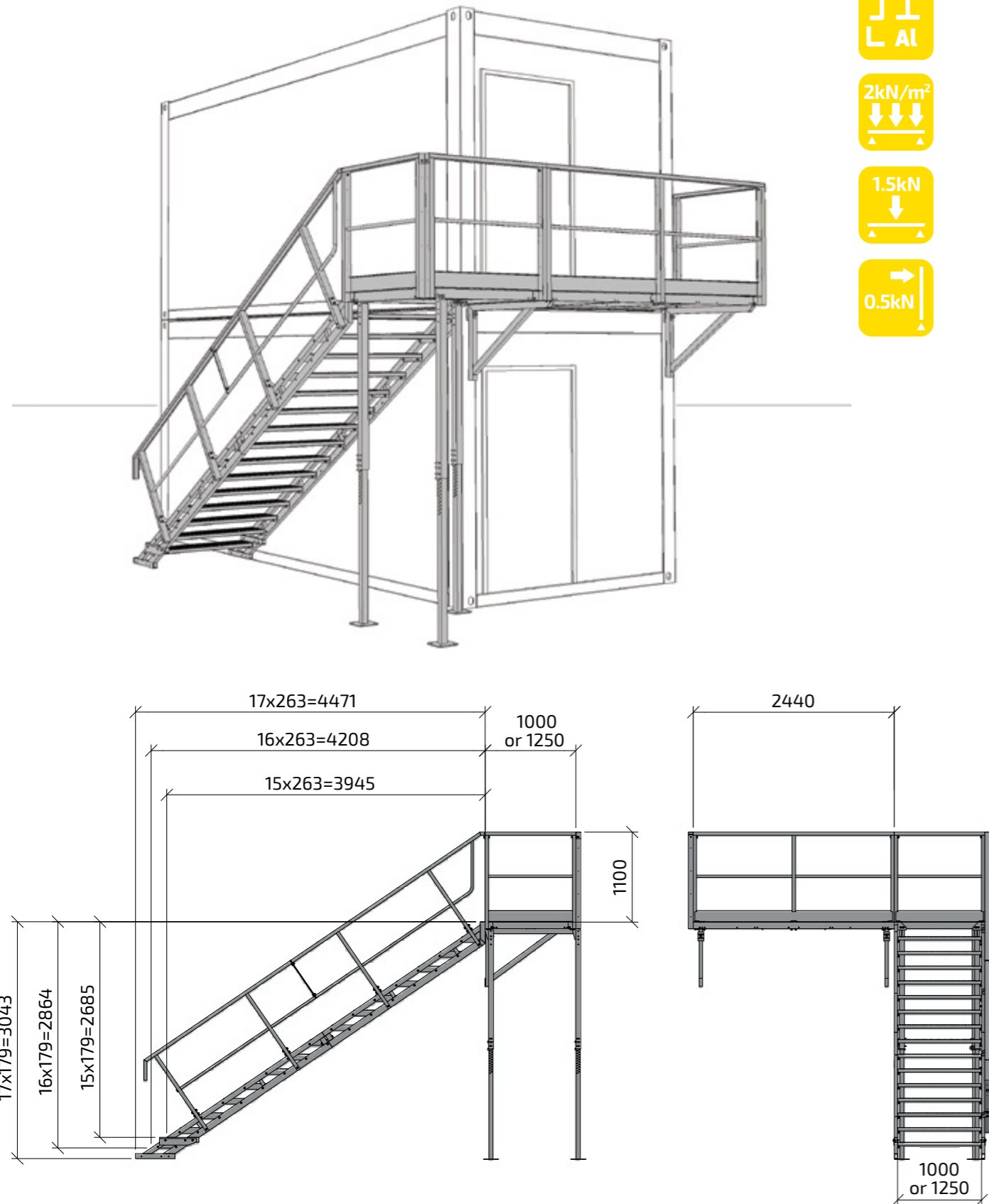
variant S5.5



variant S5.9



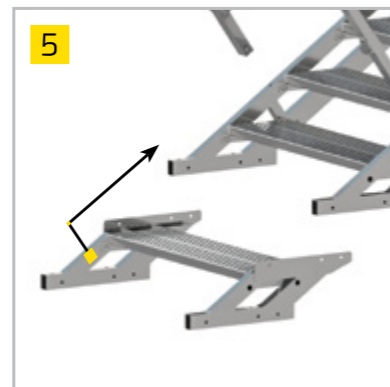
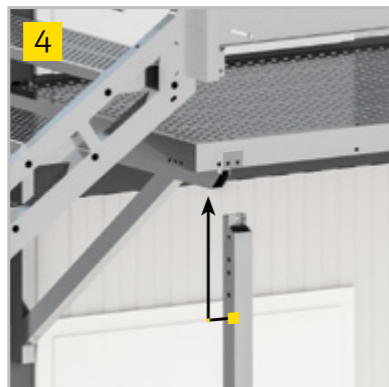
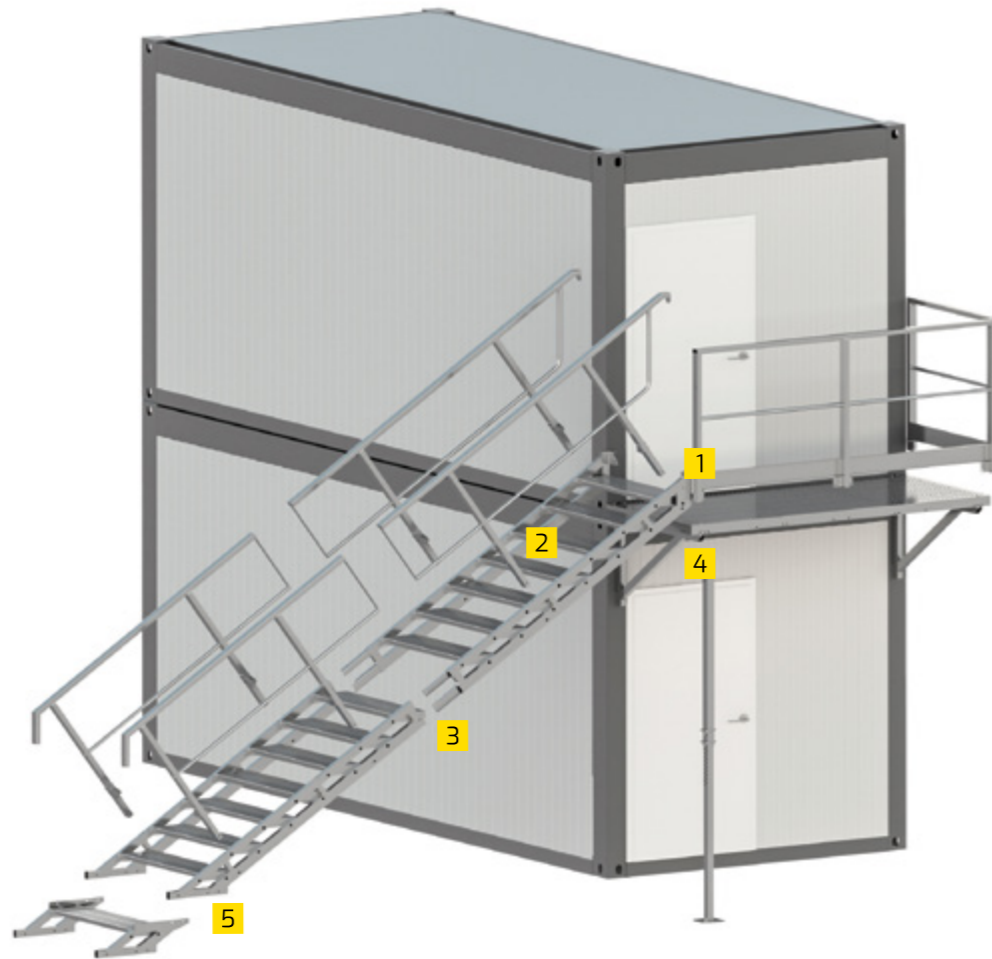
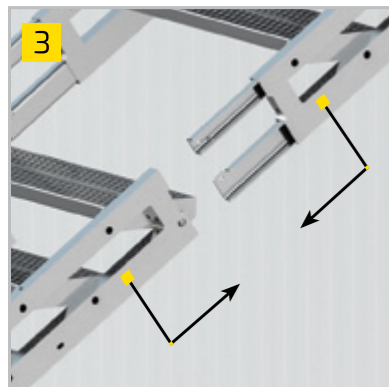
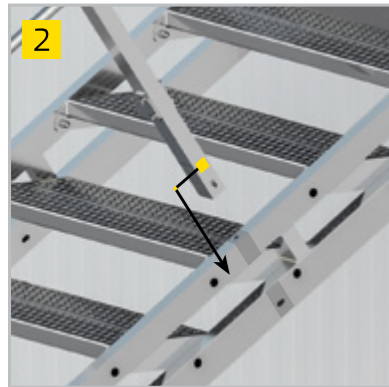
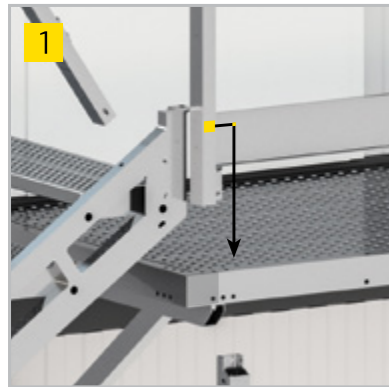
TECHNICAL DETAILS



ALUMINUM STAIRS 2kN

PRACTICAL MODULAR CONSTRUCTION

- FAST AND SIMPLE ASSEMBLY IN ANY CONFIGURATION
- UNIFIED ELEMENTS
- SMALL NUMBER OF FASTENERS
- EXTENSION POSSIBILITY
- EASY TRANSPORT

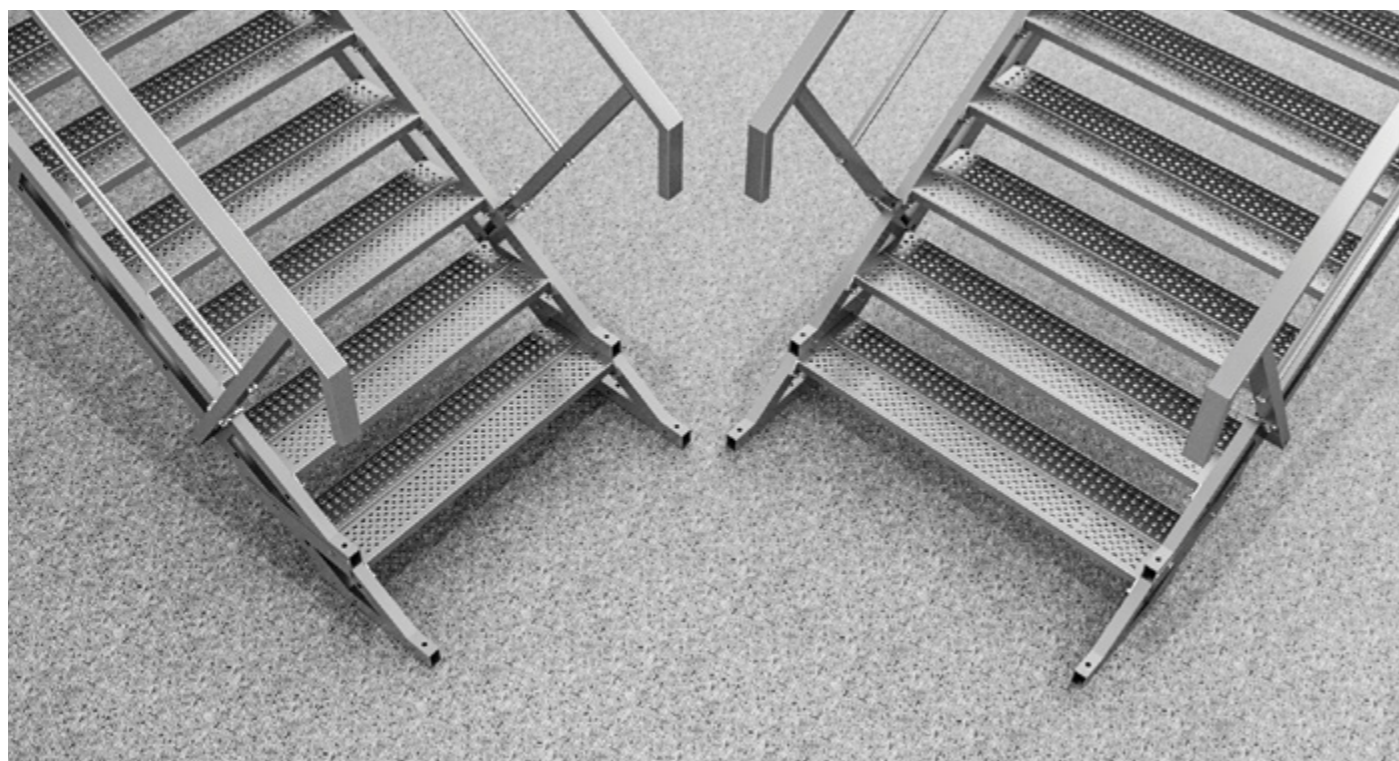


SAFETY AND COMFORT OF USAGE

- STEPS AND PLATFORMS WITH NON SLIPPERY SURFACE



- TWO WIDTHS OF STEPS: 1000mm and 1250mm



TYPES OF BALUSTRADES

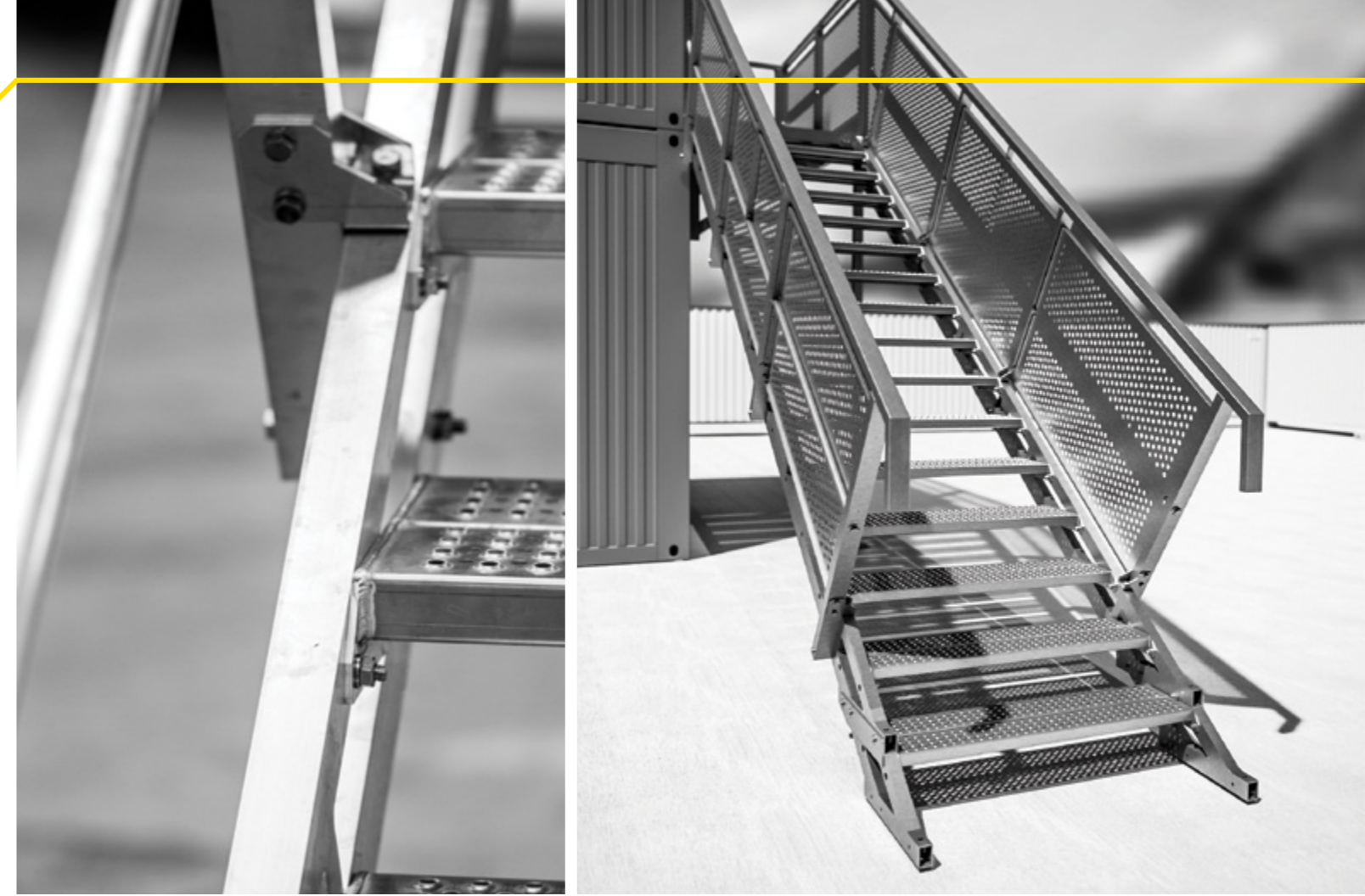
INDUSTRIAL BALUSTRADE

Light and simple construction that can be used whenever children safe railings are not required by law.



SAFE BALUSTRADE

The railing is filled with additional barriers according to imposed standards. They are used at worksites where rigorous safety norms are in force.



ASSEMBLY VARIANTS



variant A2.1



variant A2.3



variant A2.4



variant A2.5



variant A2.5A



variant A2.4A, A2.6



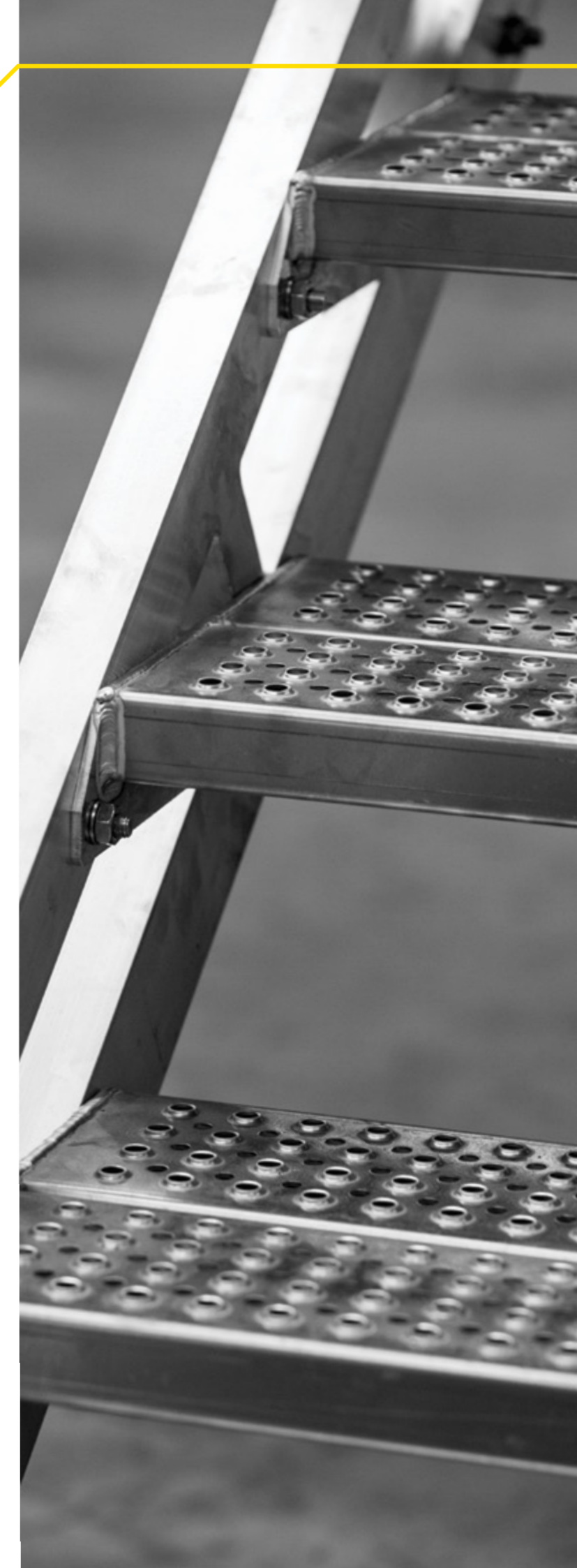
variant A2.7



variant A2.8



variant A2.10

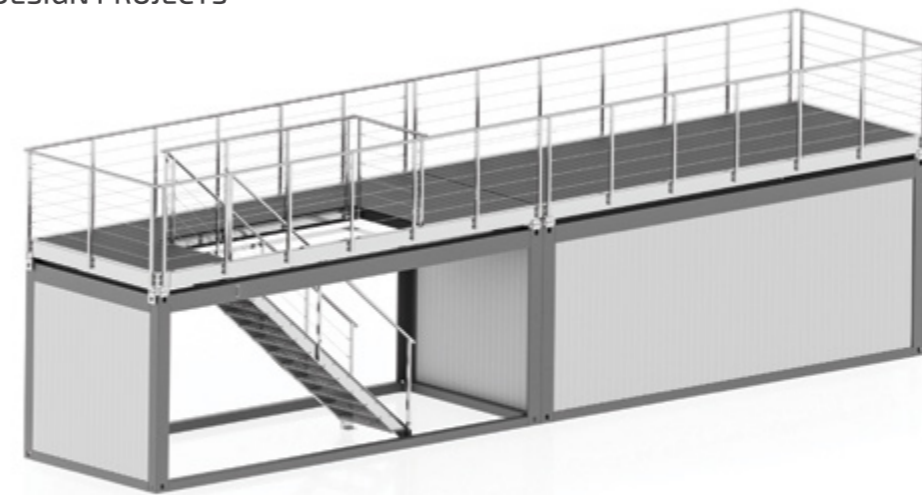




TERRACES

The main purpose of container terraces is to extend the usable floor area according to individual needs of a client. Terraces can be assembled on any standard container. Choosing the right railing as well as terrace floor is usually imposed by the law. For both - railing and terrace fulfillment we offer a standard solution or bespoke project. The entry to the terrace is possible thanks to the standard container stairs which can be assembled both inside and outside the container.

BESPOKE DESIGN PROJECTS

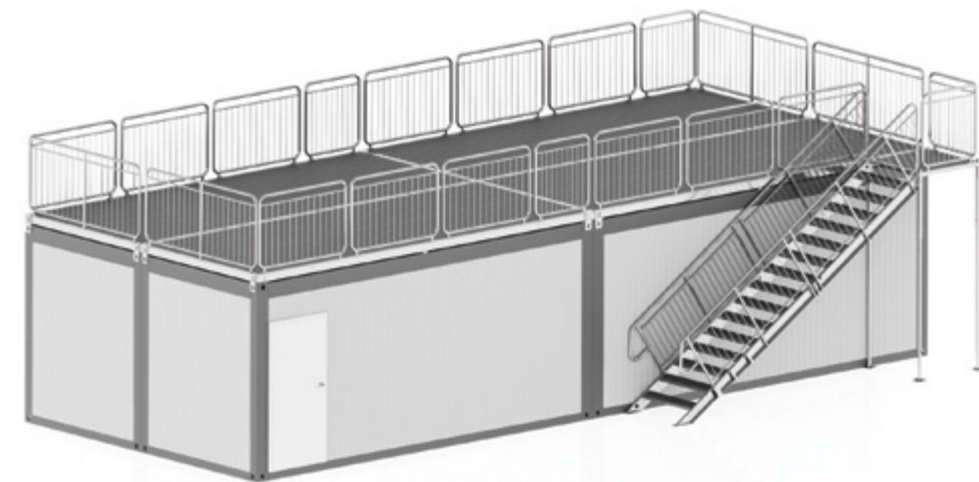


customised
to the project



customised
to the project

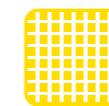
STANDARD MODULAR SOLUTION



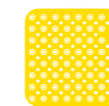
industrial
balustrade



children safe
balustrade



press welded
grating



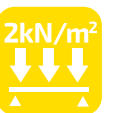
perforated
planks



composite
decking board



without
surface



OUR REALISATIONS





Baron van Nagellstraat 80

3781 AT Voorthuizen

Tel. : 0342 - 701 606

Email : info@easystairs.nl

Internet : www.easystairs.nl

KvK : 5941.1724

BTW nr. : NL 8534.68.849 B01