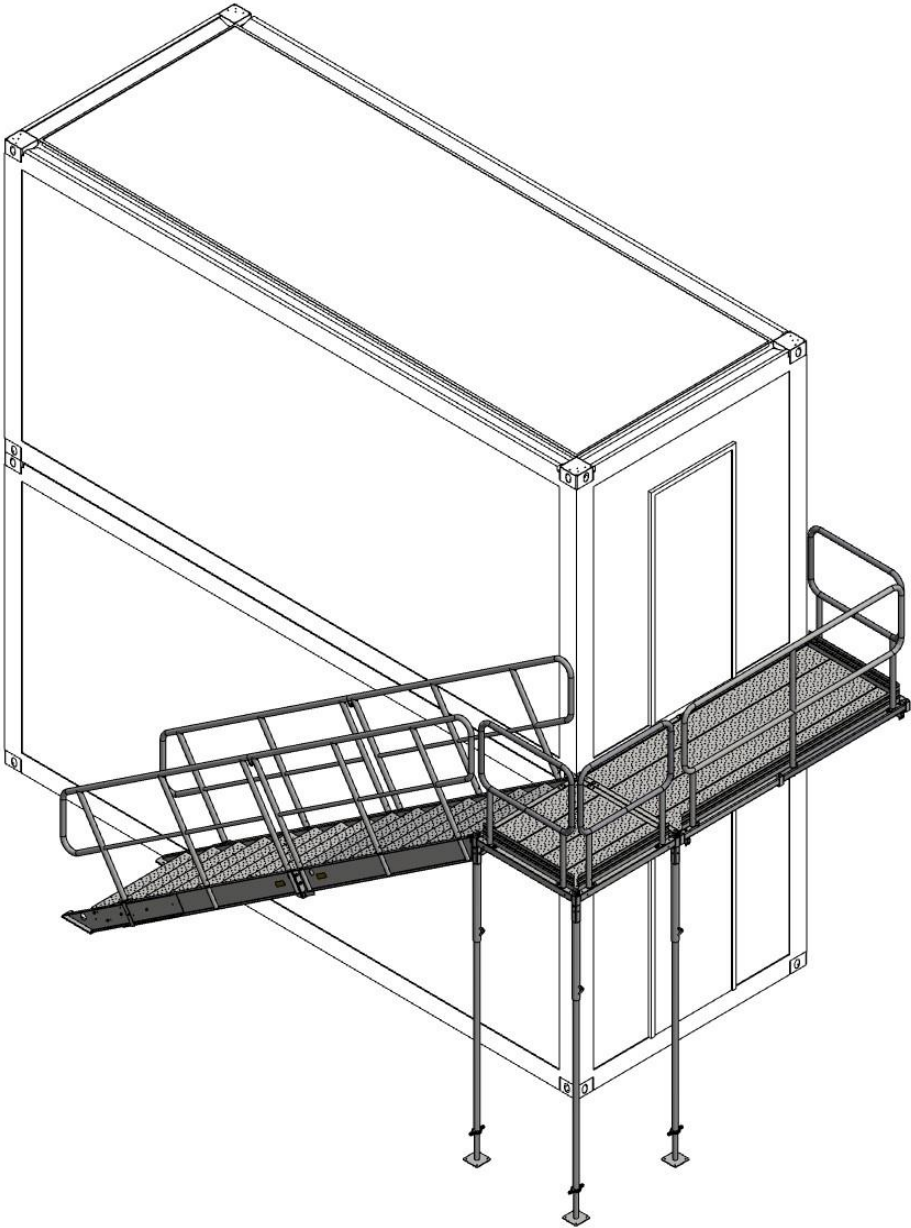


# Manual Steel Container Stair



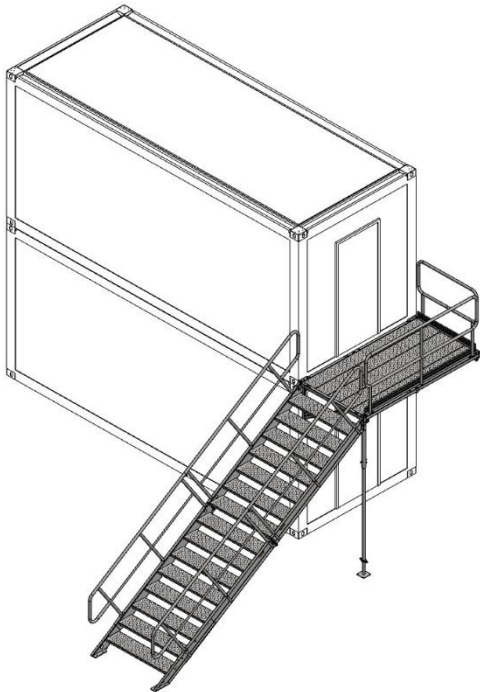
# Steel Container Stair

The assembly manual is an attachment to the operation and maintenance documentation of the EasyStairs container stair system.

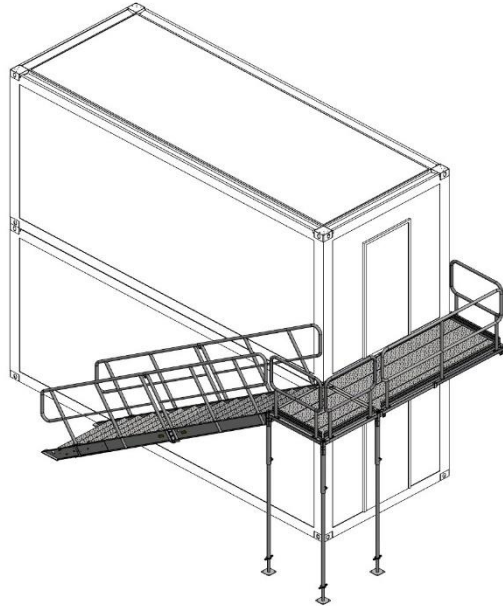
Container stairs consist of individual elements according to specification attached with the delivery. The system includes fasteners. The system is delivered in the form of separate elements, such as platforms, railings, steps, fasteners, stairs, posts. The elements are assembled in a specific order.

Container stairs as a modular structure can be freely configured (within the scope specified by the manufacturer) depending on the needs. The setting of individual configurations should be in accordance with the operation and maintenance basic configurations of container stairs are presented below.

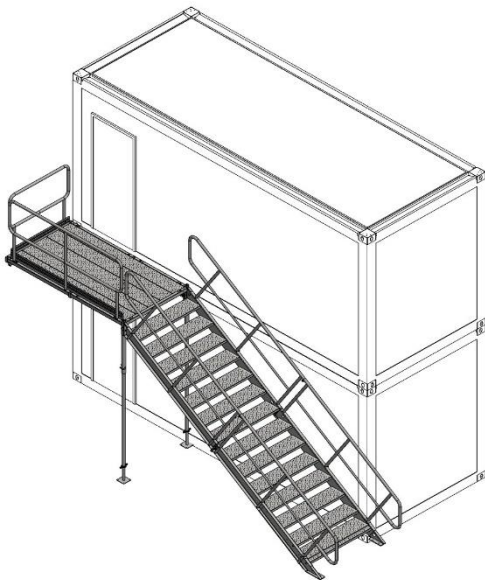
## Basic configurations



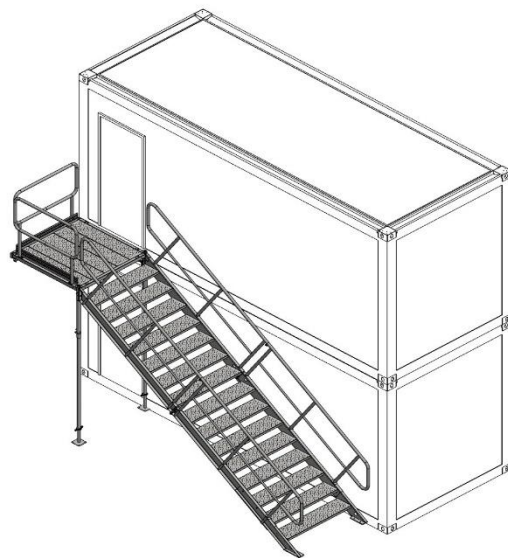
**Variant S2.1**



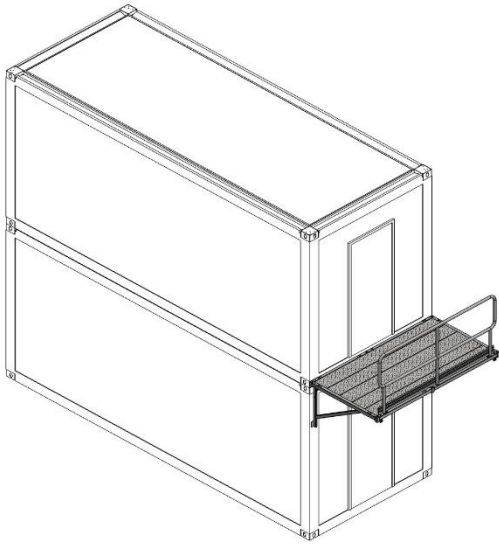
**Variant S2.3**



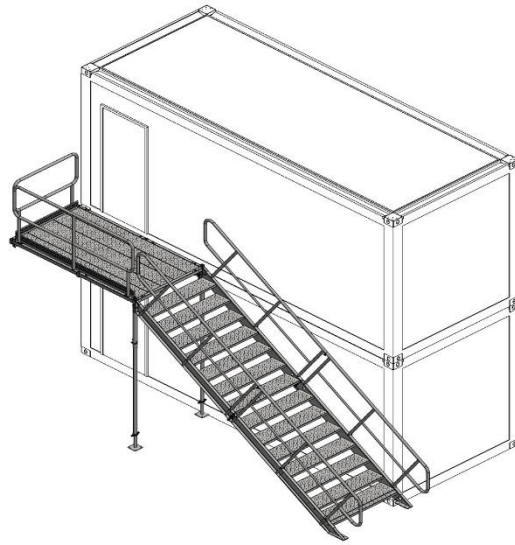
**Variant S2.4**



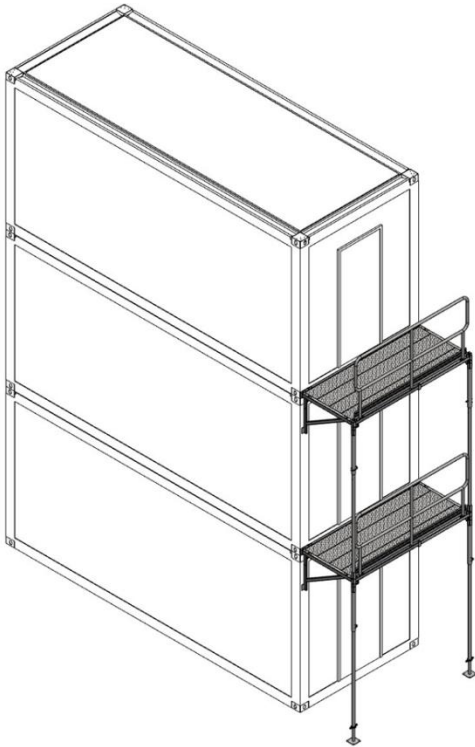
**Variant S2.4A**



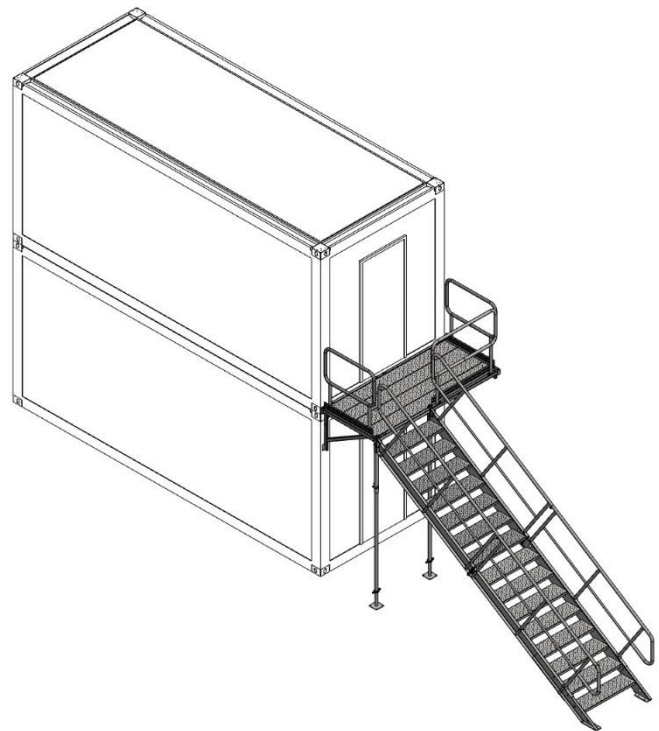
**Variant S2.5**



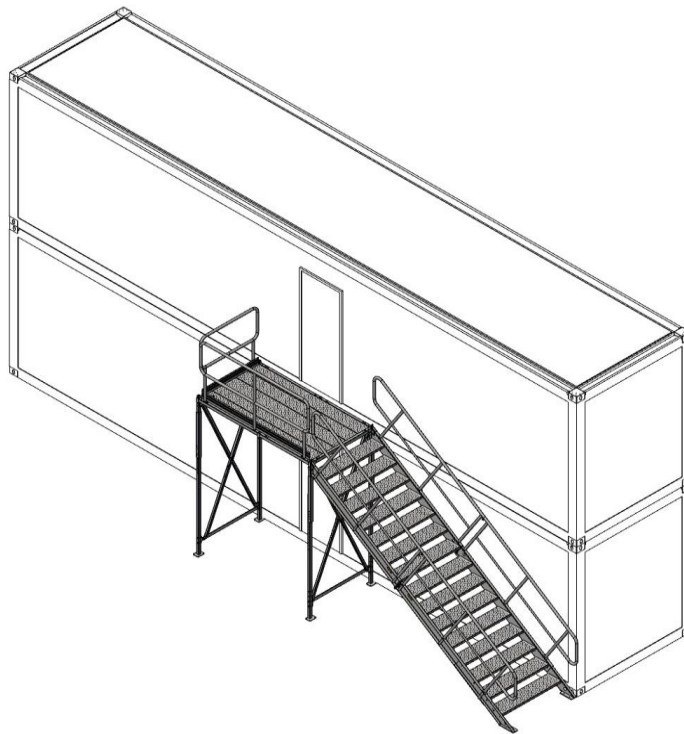
**Variant S2.6**



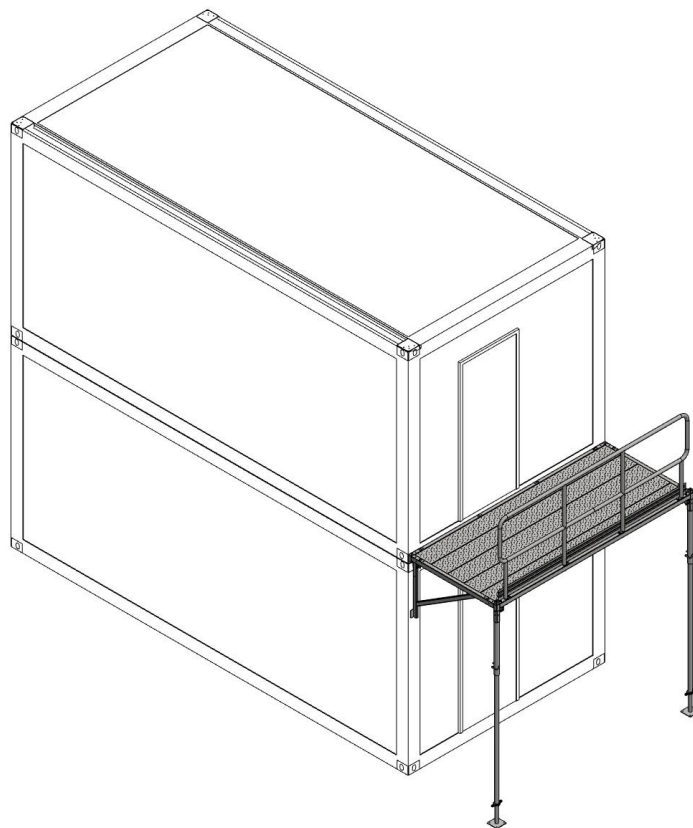
**Variant S2.7**



**Variant S2.8**



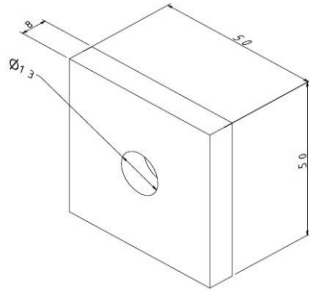
**Variant S2.10**



**Variant S2.11**

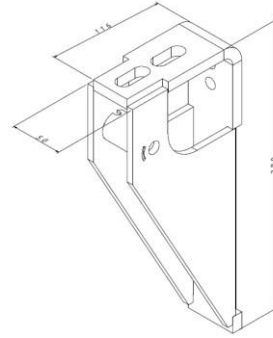
# Parts

M-Z-P-K-14-ZN-Z



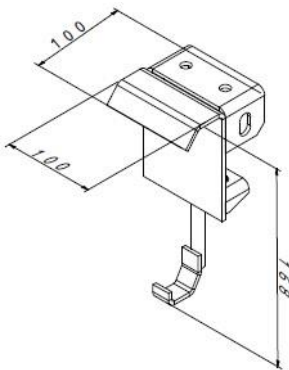
0,15 kg

SK5-L1 (P-SK5-LP)



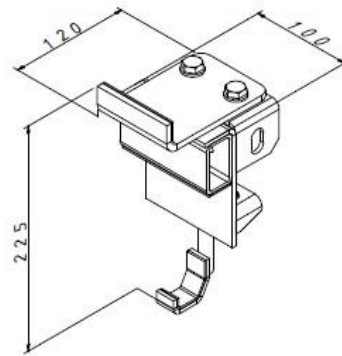
2,78 kg

SK5-L2 (P-SK5-LP2)



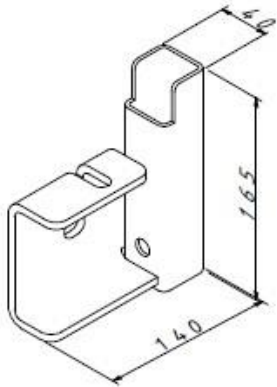
1,08 kg

SK5-L3 (P-SK5-LP3)



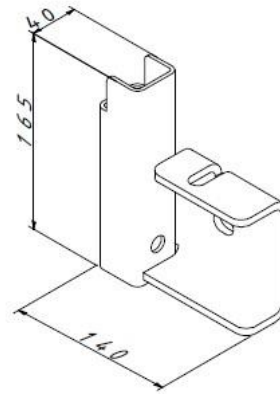
1,97 kg

SK5-L6



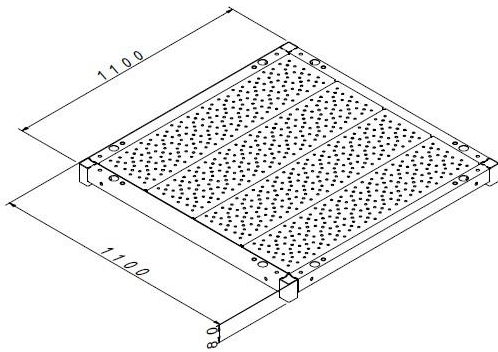
1,29 kg

SK5-L5



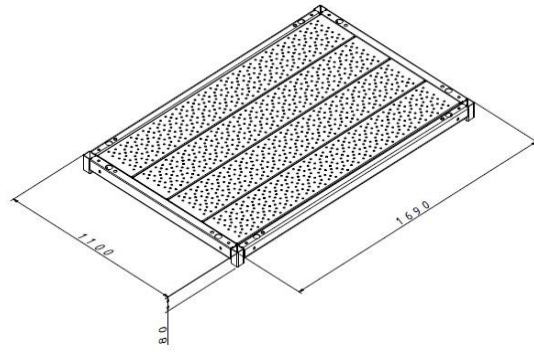
1,29 kg

SK5-P1 (P-SK5-PD1.1)



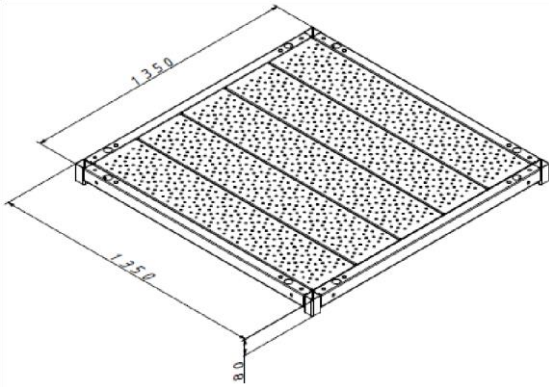
34,91 kg

SK5-P2 (P-SK5-PD1.69)



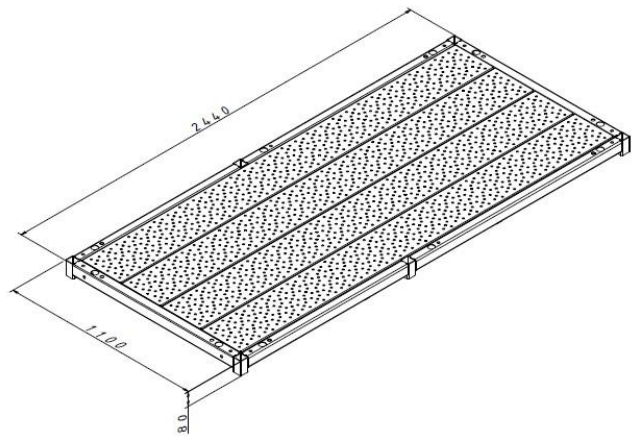
57,57 kg

SK5-P4 (P-SK5-PD1.2)



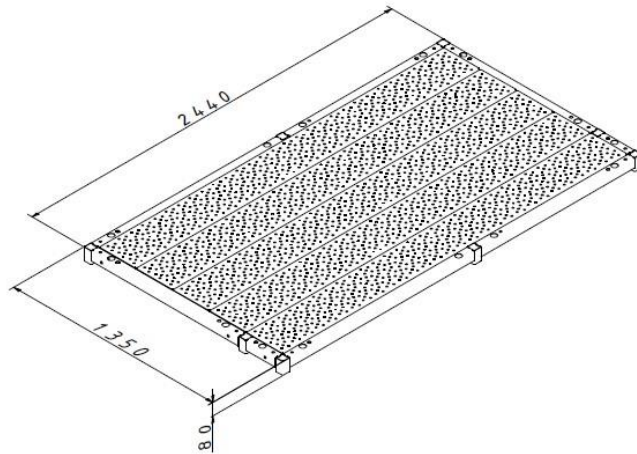
49,85 kg

SK5-P3 (P-SK5-PD2.4)



83,00 kg

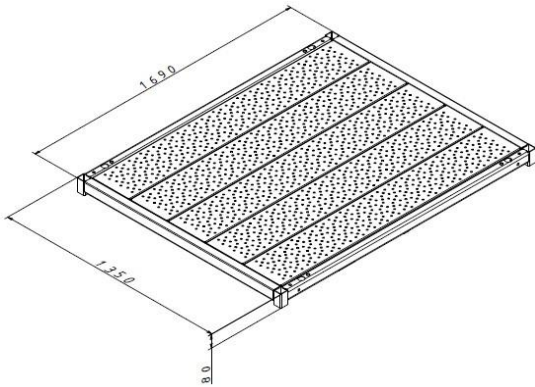
SK5-P9



99,20 kg

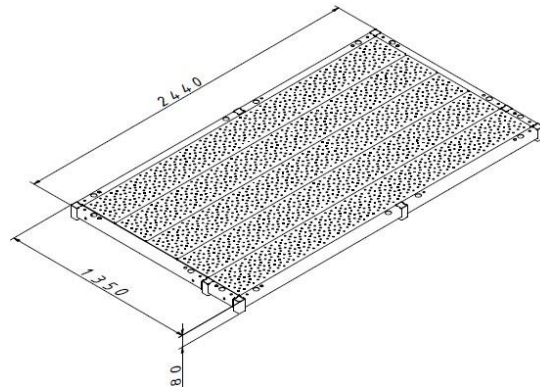


SK5-P5 (P-SK5-PD1.69x1.2)



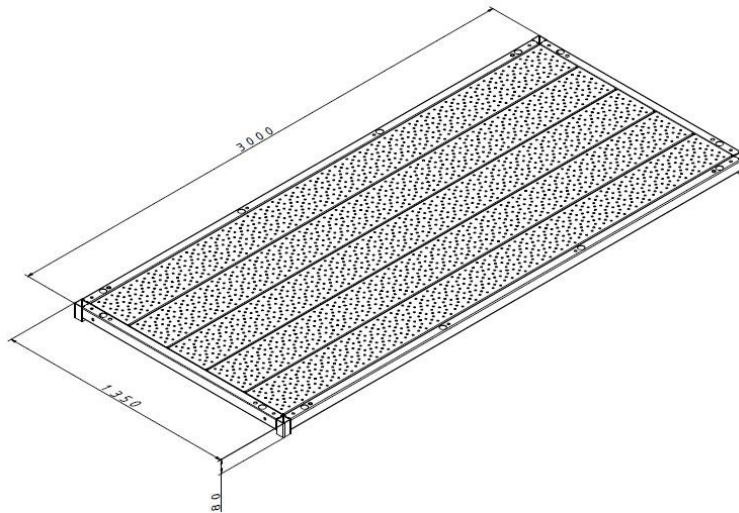
68,08 kg

SK5-P6 (P-SK5-PD2.4-1.2)



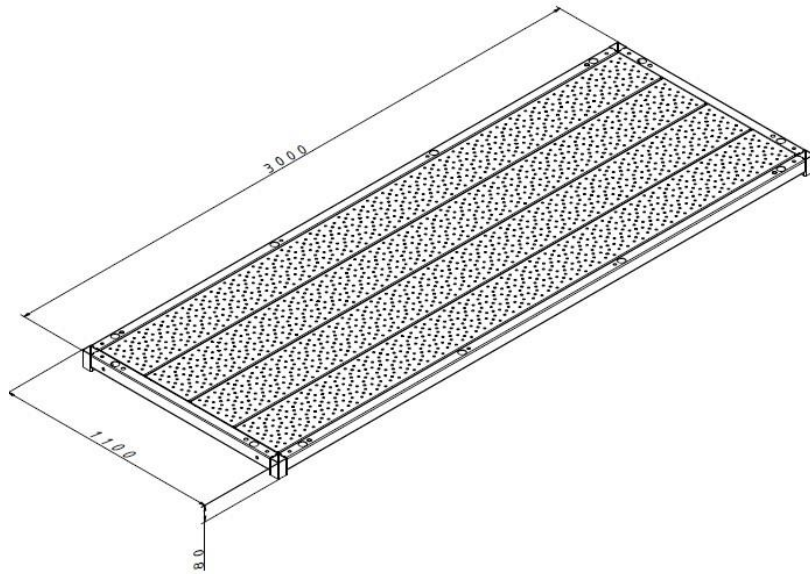
98,30 kg

SK5-P7



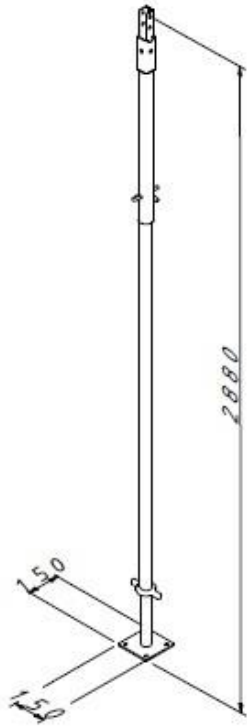
121,43 kg

SK5-P8



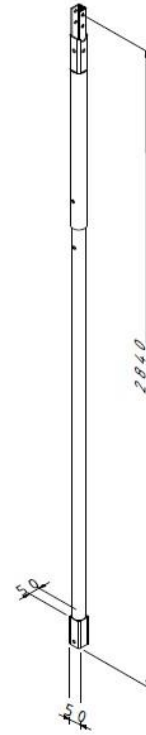
102,87 kg

SK5-PR1 (P-SK5-PR)



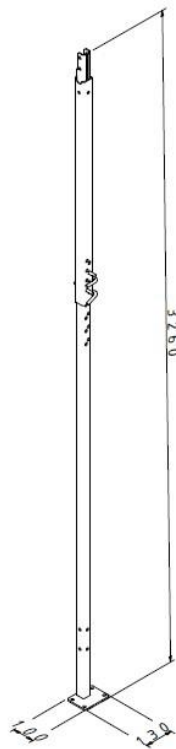
20,09 kg

SK5-PR2 (P-SK5-PR2)



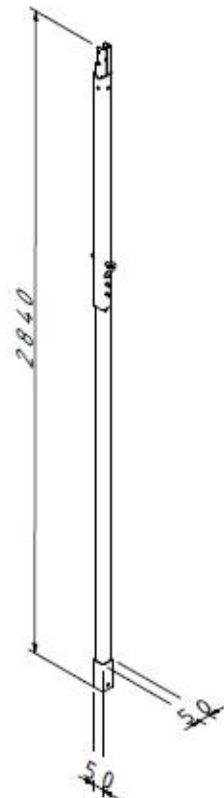
14,61 kg

SK5-PR3 (P-SK5-PR2)



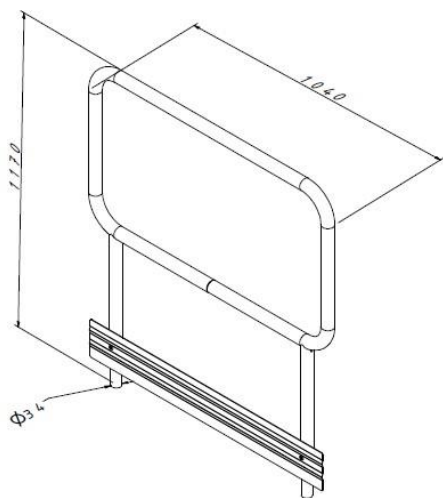
14,50 kg

SK5-PR4 (P-SK5-PR3)



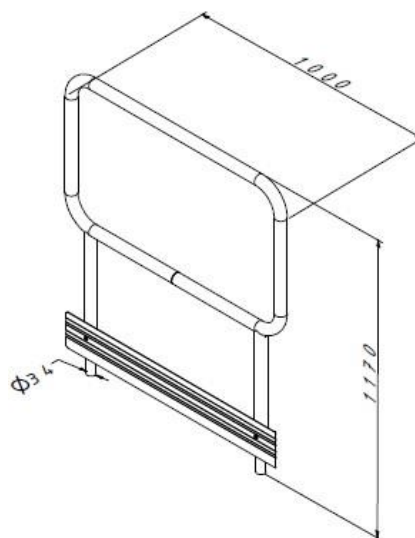
14,42 kg

SK5-B1 (P-SK5-BP1.04)



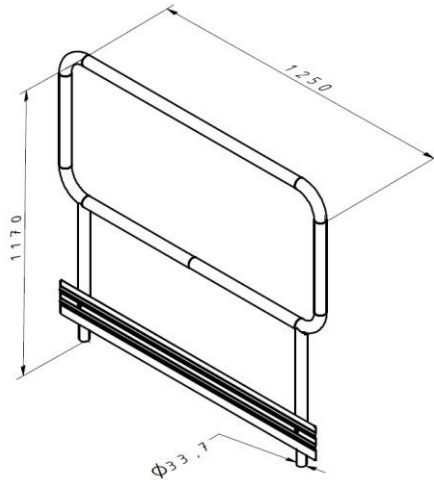
11,06 kg

SK5-B2 (P-SK5-BP1.1)



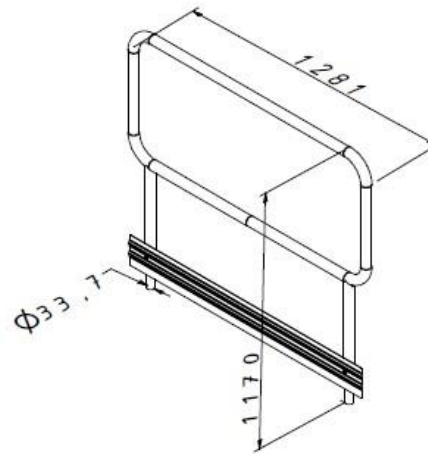
10,70 kg

SK5-B3 (P-SK5-BP1.2)



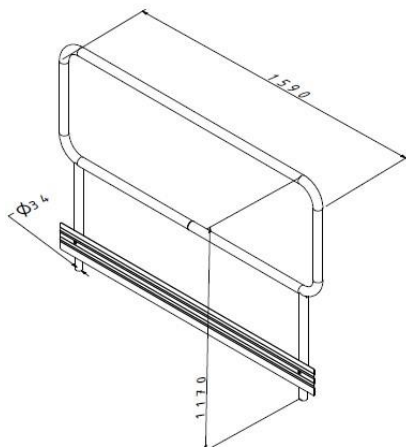
12,36 kg

SK5-B4 (P-SK5-BP1.28)



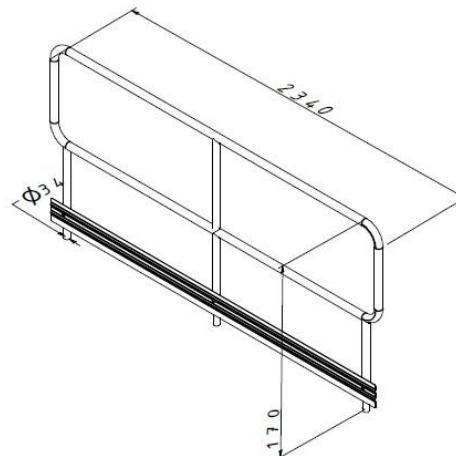
12,55 kg

SK5-B5 (P-SK5-BP1.69)



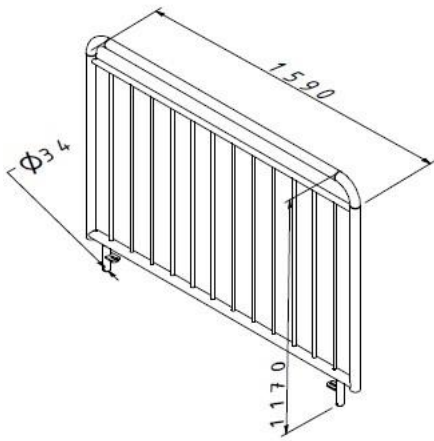
14,47 kg

SK5-B6 (P-SK5-BP2.4)



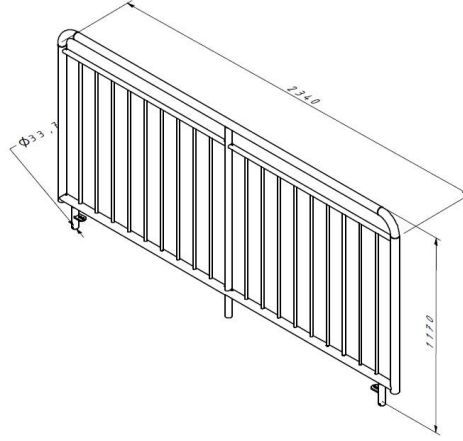
21,61 kg

SK5-B11 (P-SK6-BP1.1-B)



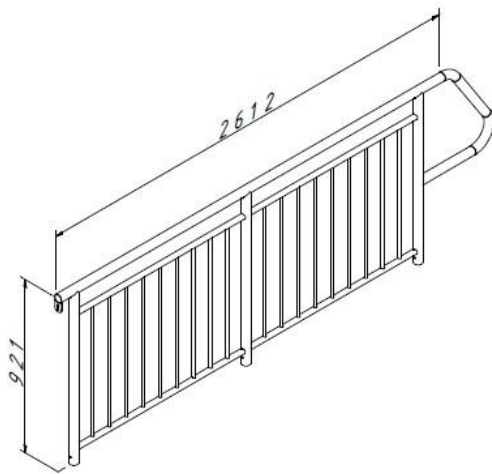
24,10 kg

SK5-B12 (P-SK6-BP2.4-B)



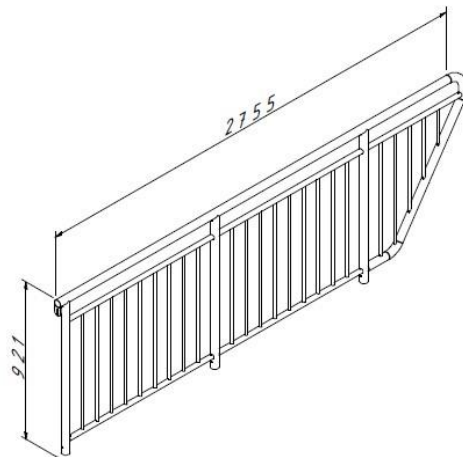
35,23 kg

SK5-BS4



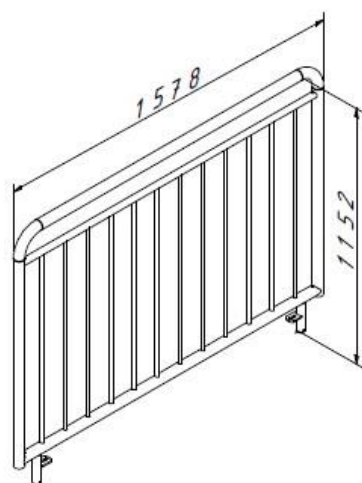
22,94 kg

SK5-BS3



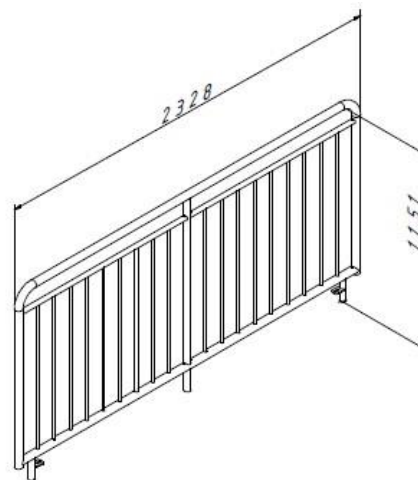
25,76 kg

SK6-B5 (P-SK6-BP1.69-B)



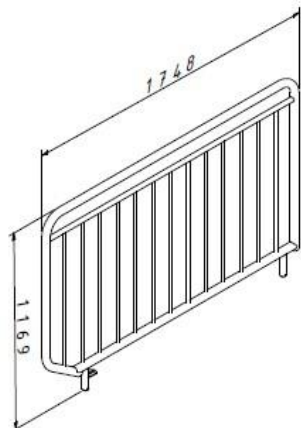
19,24 kg

SK6-B6 (P-SK6-BP2.4-B)



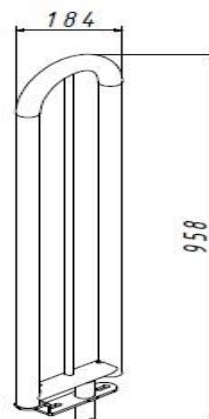
28,71 kg

SK6-B13



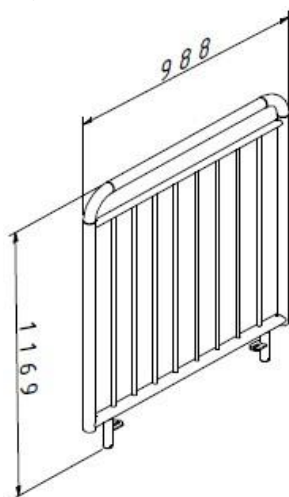
19,63 kg

SK6-B10 (SK6-BB4)



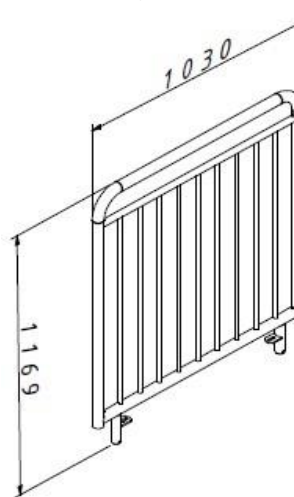
7,14 kg

SK6-B1 (P-SK6-BP1.1-B)



12,33 kg

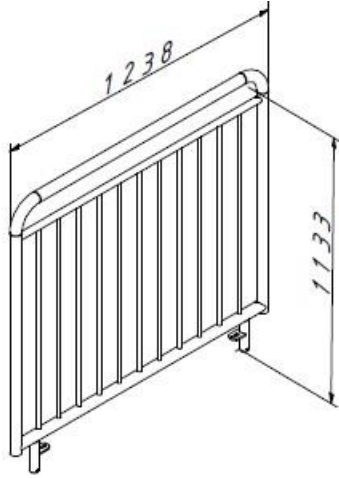
SK6-B2 (P-SK6-BP1.04-B)



14,85 kg

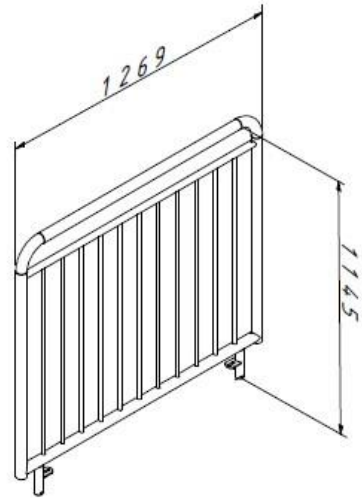


SK6-B3 (P-SK6-BP1.25-B)



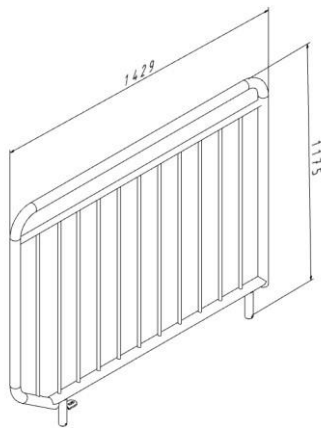
16,75 kg

SK6-B4 (P-SK6-BP1.28-B)



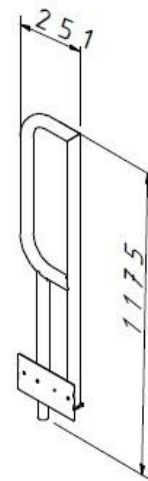
16,95 kg

SK5-B14



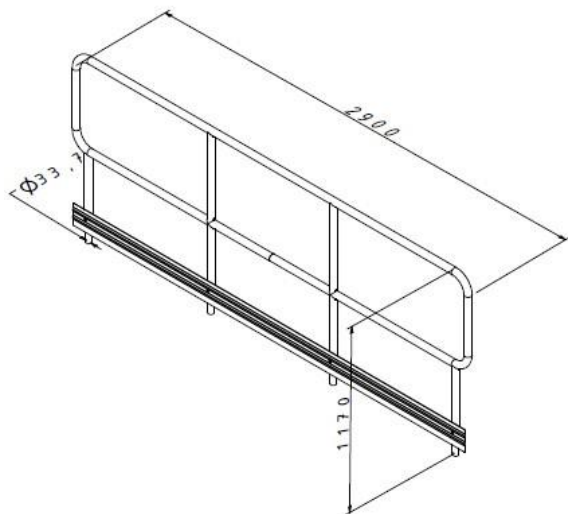
18,10 kg

SK5-B14 (P-SK5-BP-0.25)



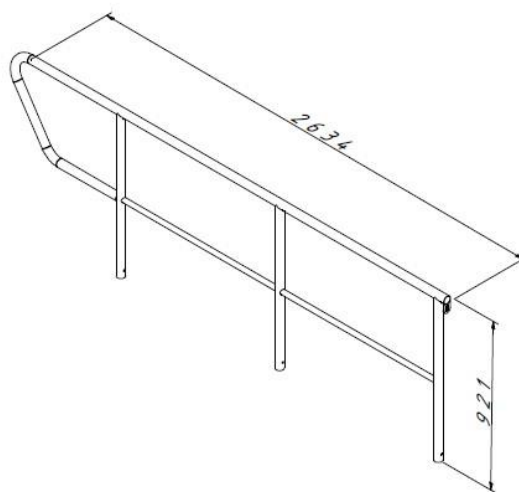
7,05 kg

SK5-B15 (P-SK5-BP3.0)



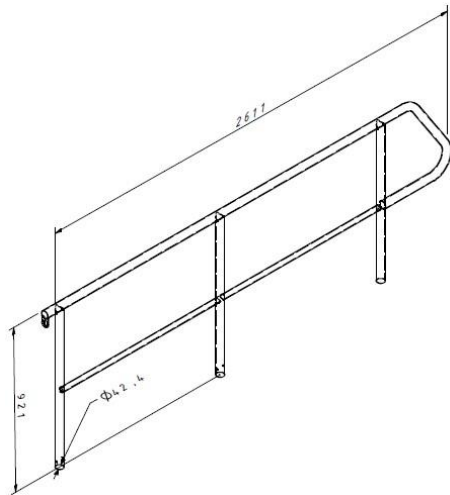
29,56 kg

SK5-BS1 (P-SK5-BS)



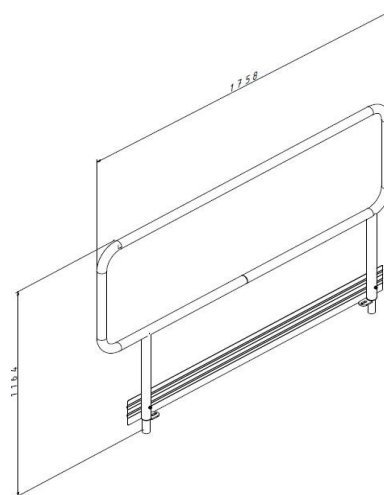
17,11 kg

SK5-BS2 (P-SK5-BS-B)



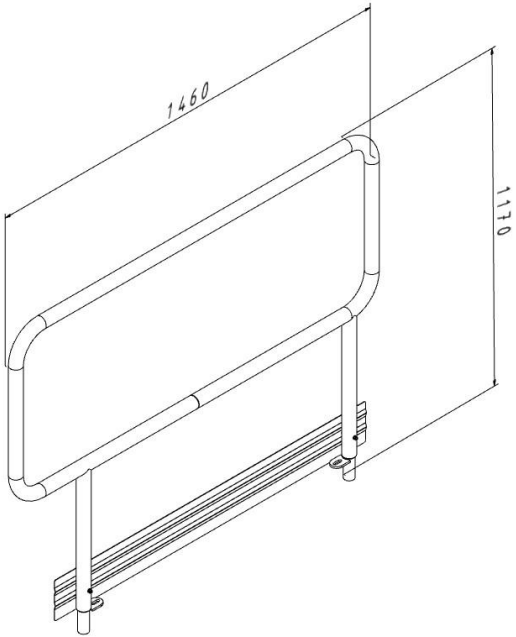
16,29 kg

SK6-B11



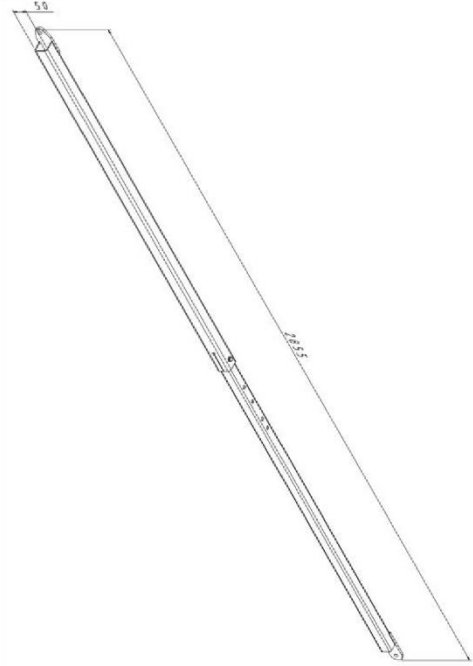
16,55 kg

SK5-B12



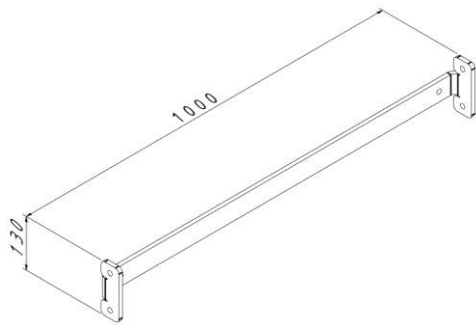
10,73 kg

SK5-X1 (P-SK6-X1)



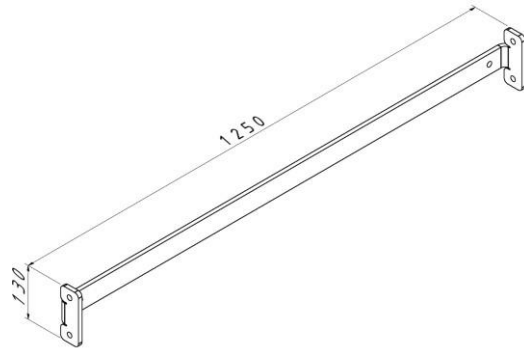
14,80 kg

SK5-O1 (P-SK6-O1)



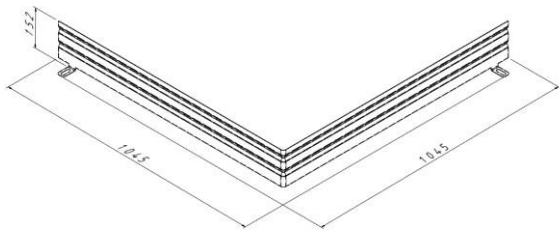
4,80 kg

SK5-O2 (P-SK6-O1)



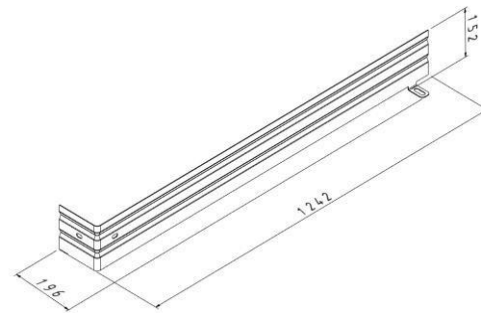
5,80 kg

SK6-K01



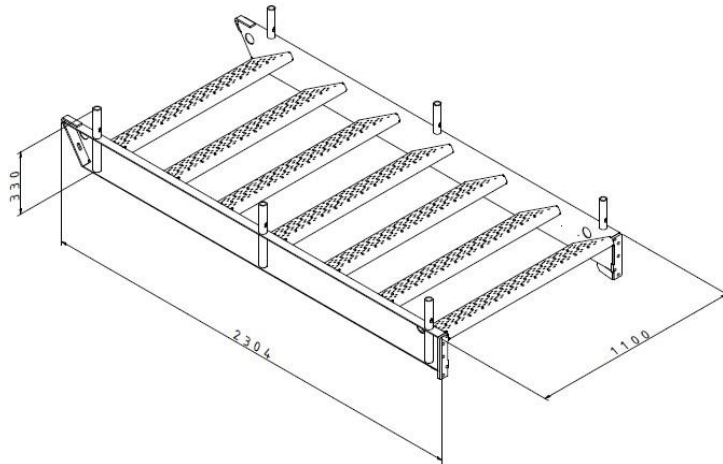
4,54 kg

SK6-K03/SK6-K04



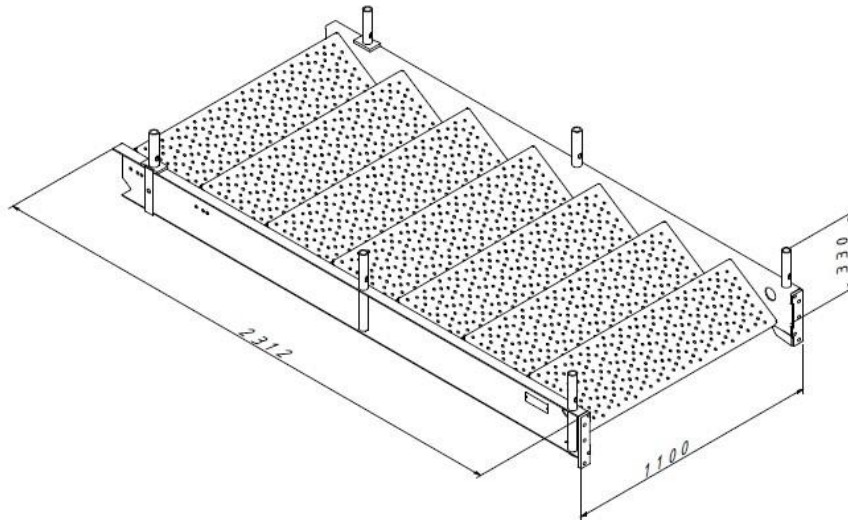
3,16 kg

SK5-S1 (P-SK5-SB)



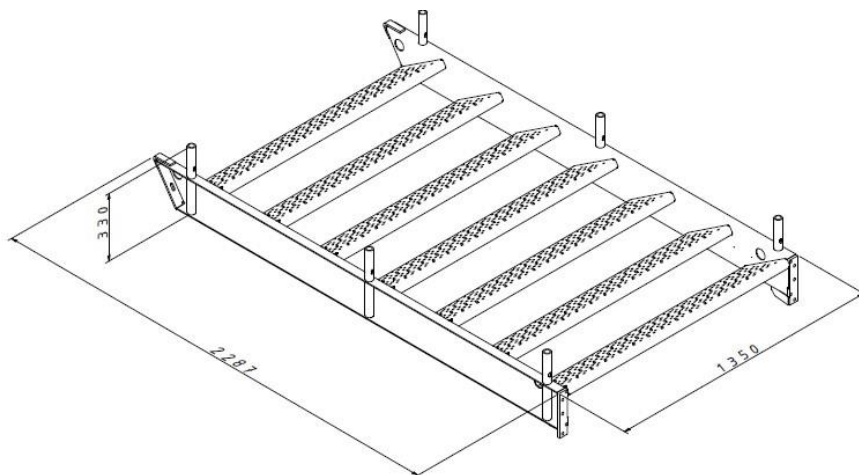
87,31 kg

SK5-S2 (P-SK5-SB-E01)



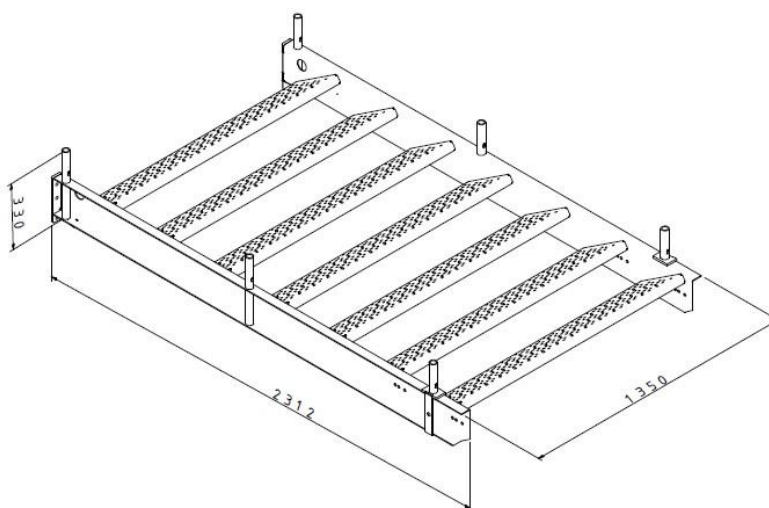
86,88 kg

SK5-S3 (P-SK5-SB1.2)



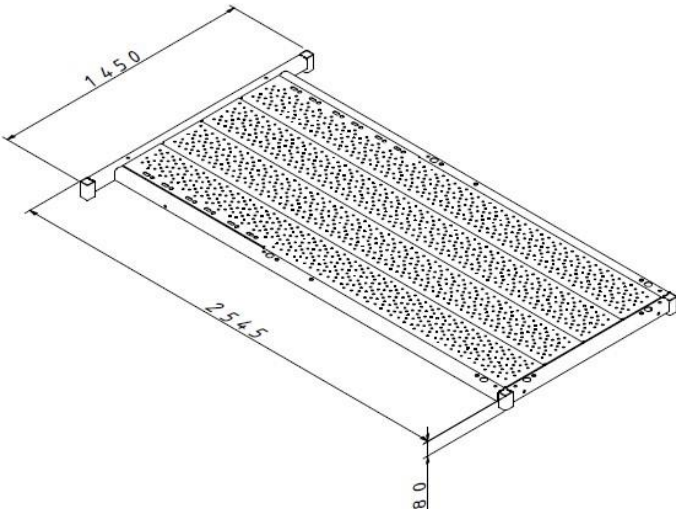
97,22 kg

SK5-S4 (P-SK5-SB-E01-1,2)



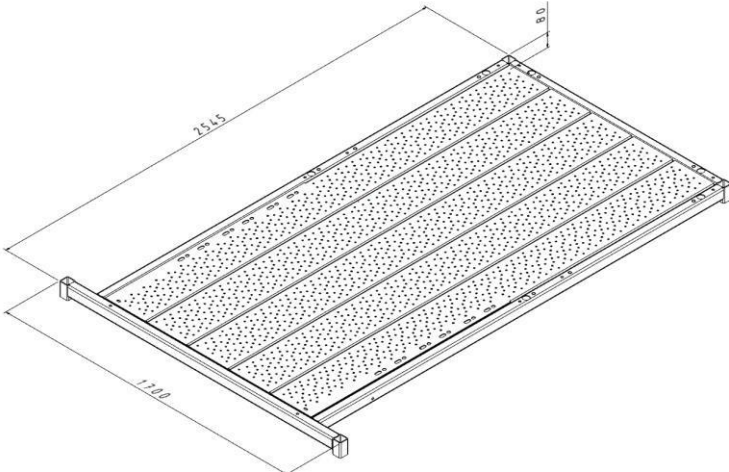
96,79 kg

SK6-PD13



115,39 kg

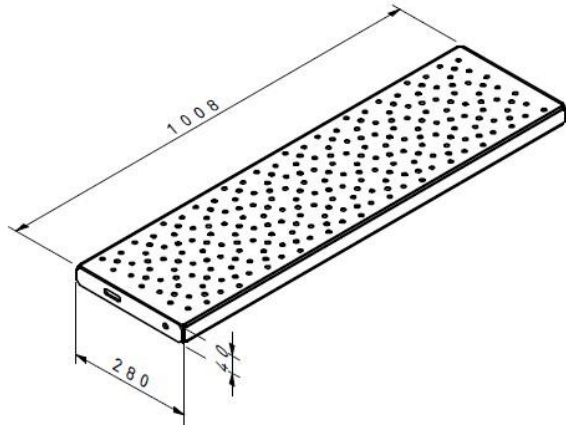
SK6-PD15



137,50 kg

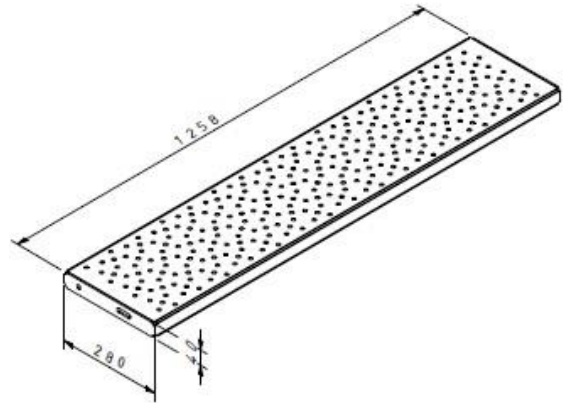


SK5-ST1



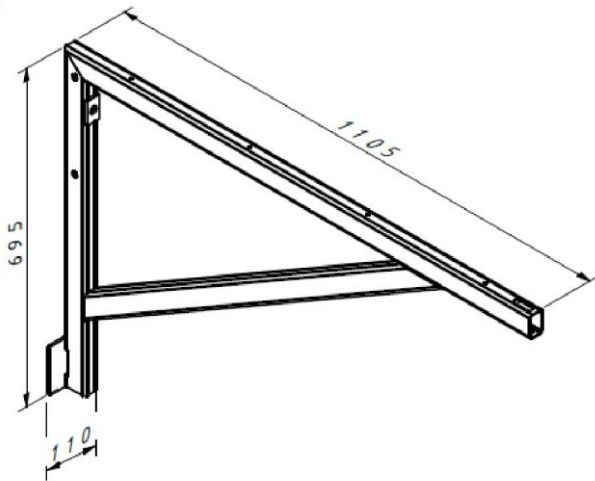
6,47 kg

SK5-ST2



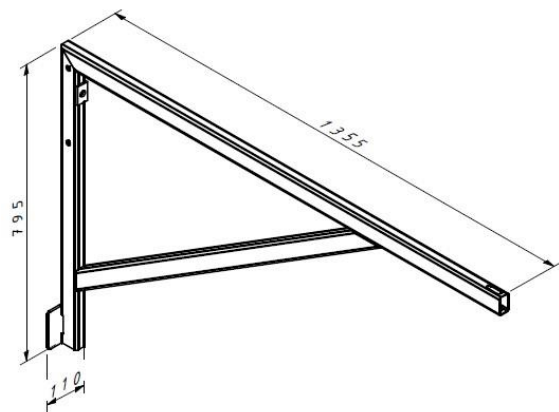
7,88 kg

SK5-W1 (P-SK5-WT1.1)



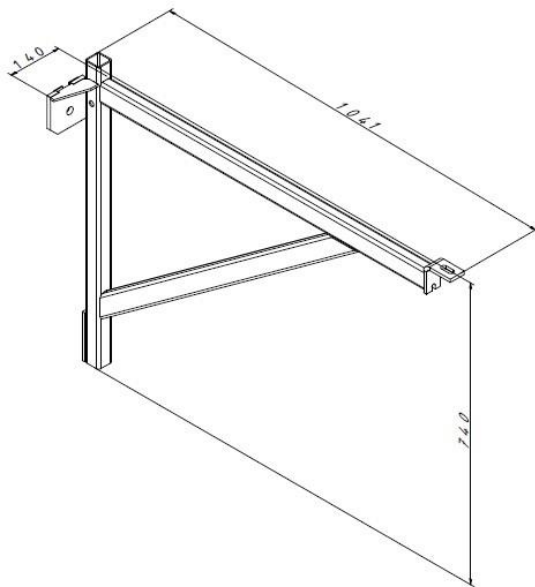
9,15 kg

SK5-W2 (P-SK5-WT1.2)



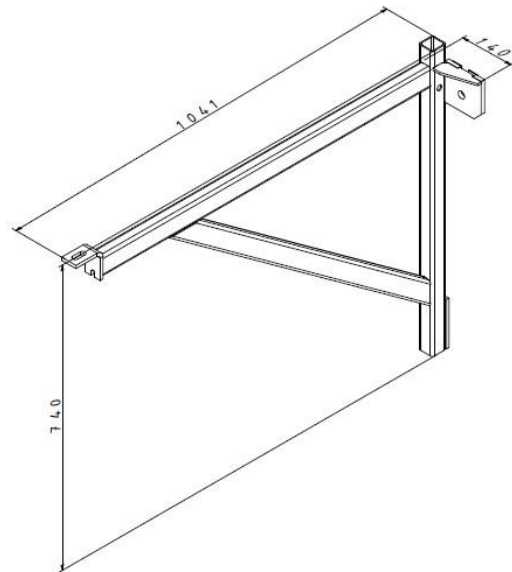
10,74 kg

SK5-W3 (P-SK5-WT-1000-ML)



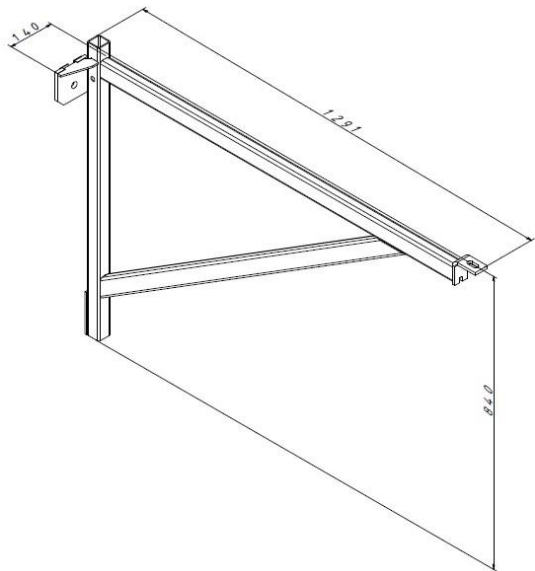
9,71 kg

SK5-W4 (P-SK5-WT-1000-MP)



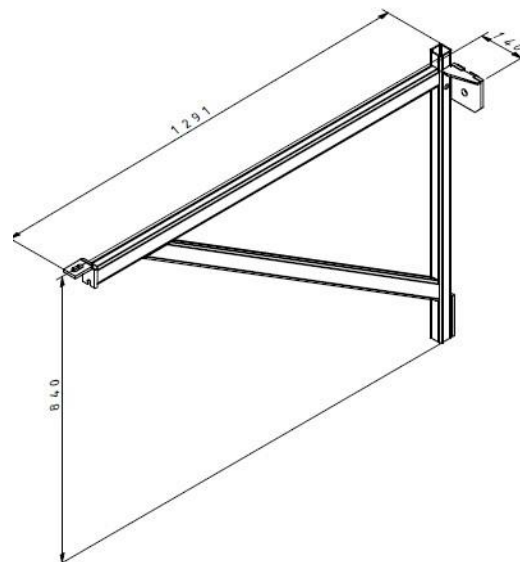
9,72 kg

SK5-W5 (P-SK5-1200-ML)



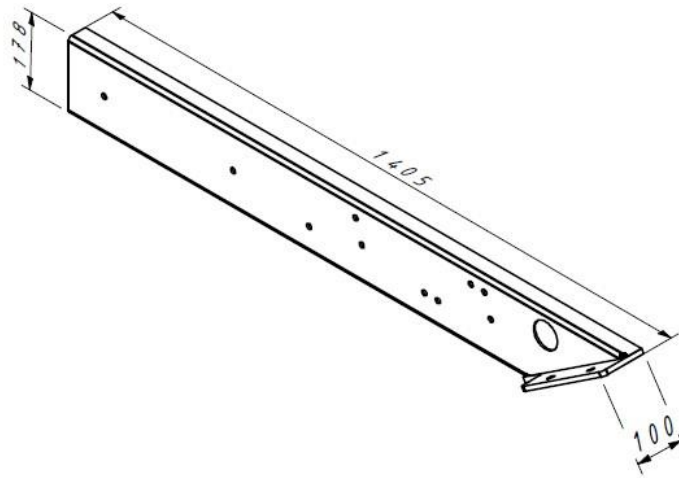
11,81 kg

SK5-W6 (P-SK5-1200-MP)



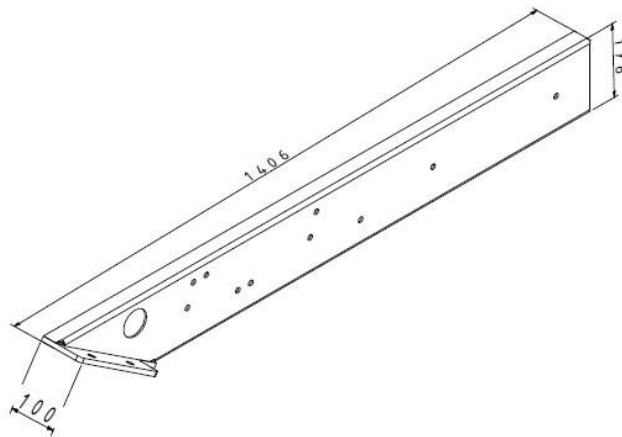
11,81 kg

SK5-Z1



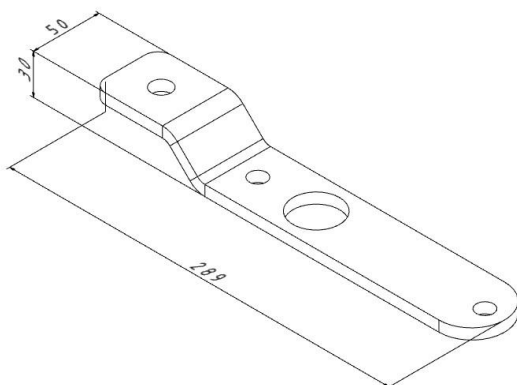
11.50 kg

SK5-Z2



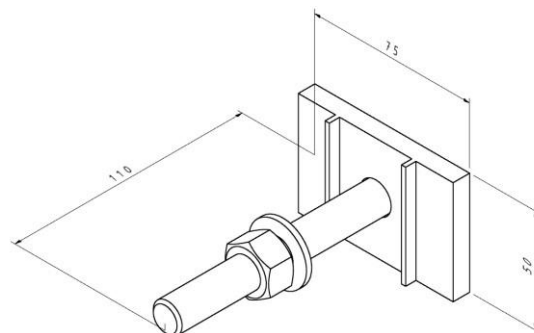
11.50 kg

SK6-L3



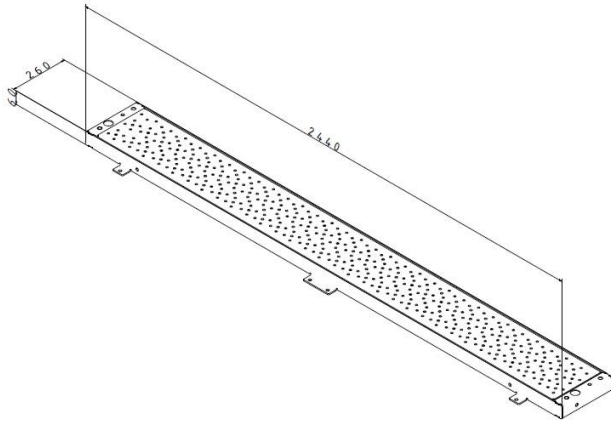
0,10 kg

P-SK-ZW

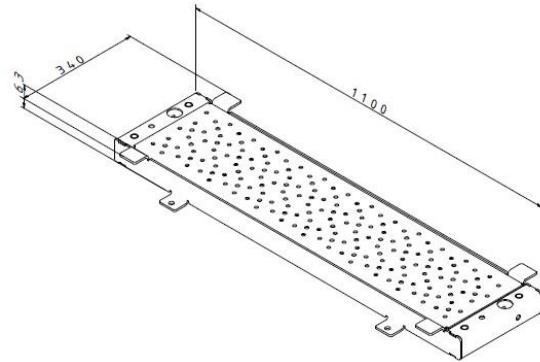


0,40 kg

SK6-P14

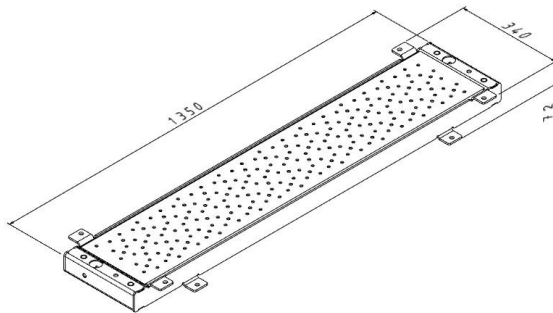


SK6-P12



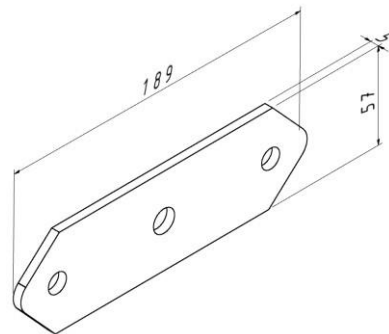
15,96 kg

SK6-P16



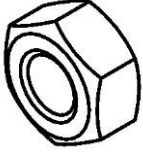
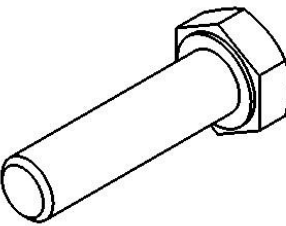
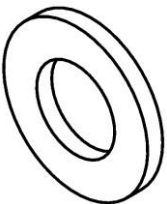
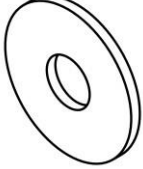
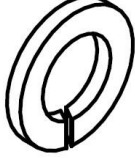
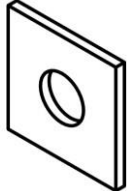
19,10 kg

SK6-L1 (P-SK6-LP5)



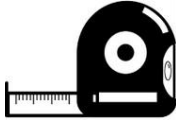



0,36 kg

# Fasteners

 <p>M12 M10 M8</p>	 <p>M10x140      M12x50 M10x120      M8x60 M10x90        M8x40 M10x60 M10x30</p>	 <p>W12 W10 W8</p>
 <p>EW 12</p>	 <p>WS12 WS8</p>	 <p>SW 14</p>

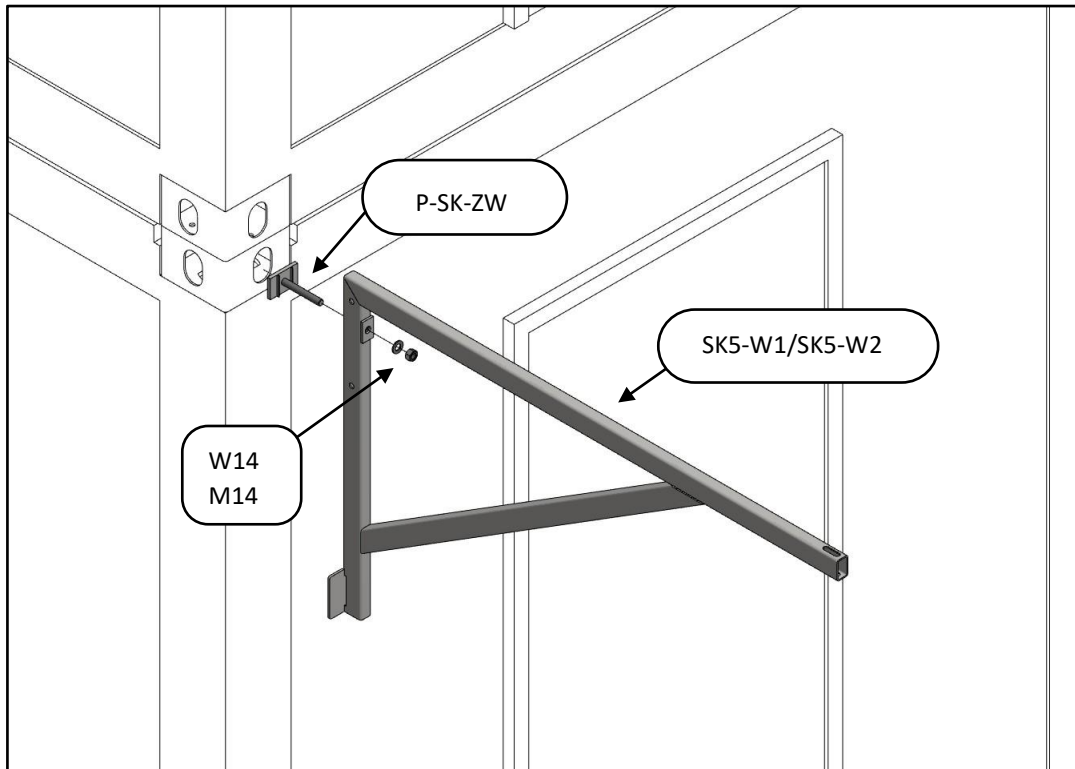
# Tools

	<p>Wrenches: 10, 13, 16, 17, 18, 19, 22</p>
	<p>Level</p>
	<p>Tape measure</p>
	<p>Lifter with a lifting capacity of min 1 t.</p>

# Manual

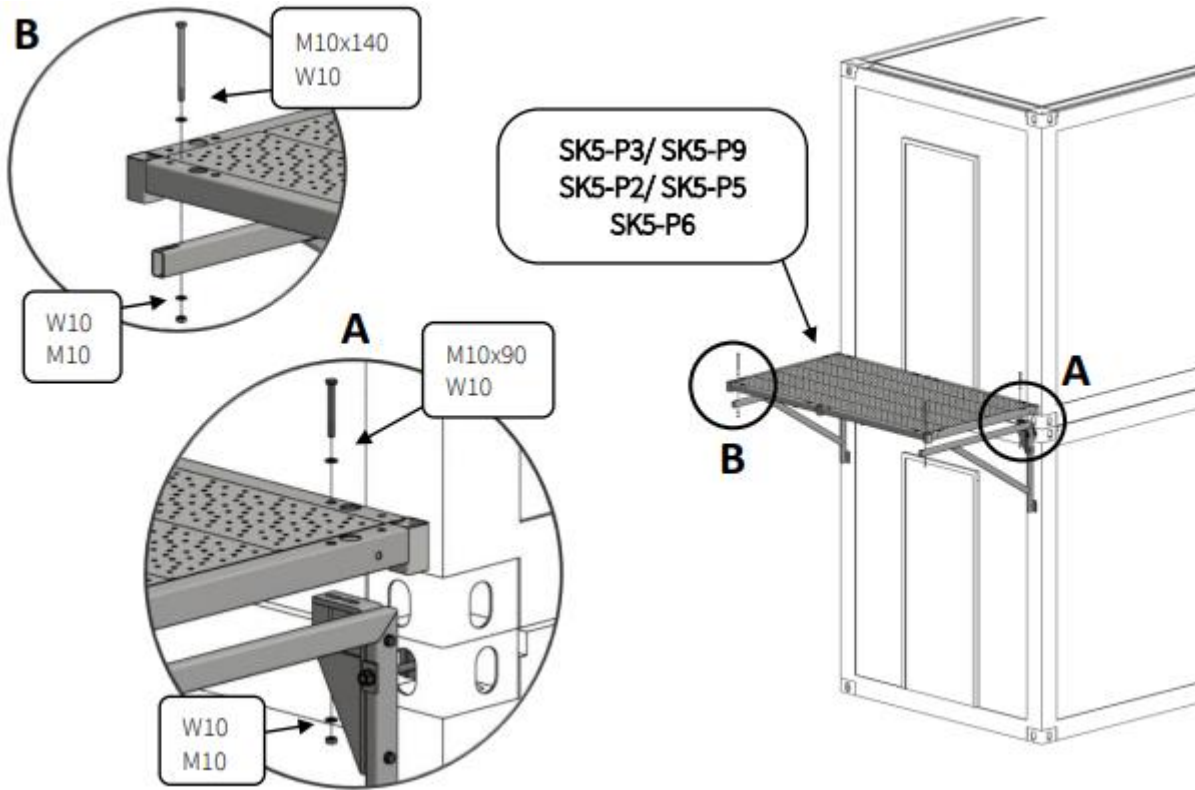
## Support assembly.

The supports are assembled by placing the support clamp in the container socket, then slide the support on and screw it with the washer and nut set.

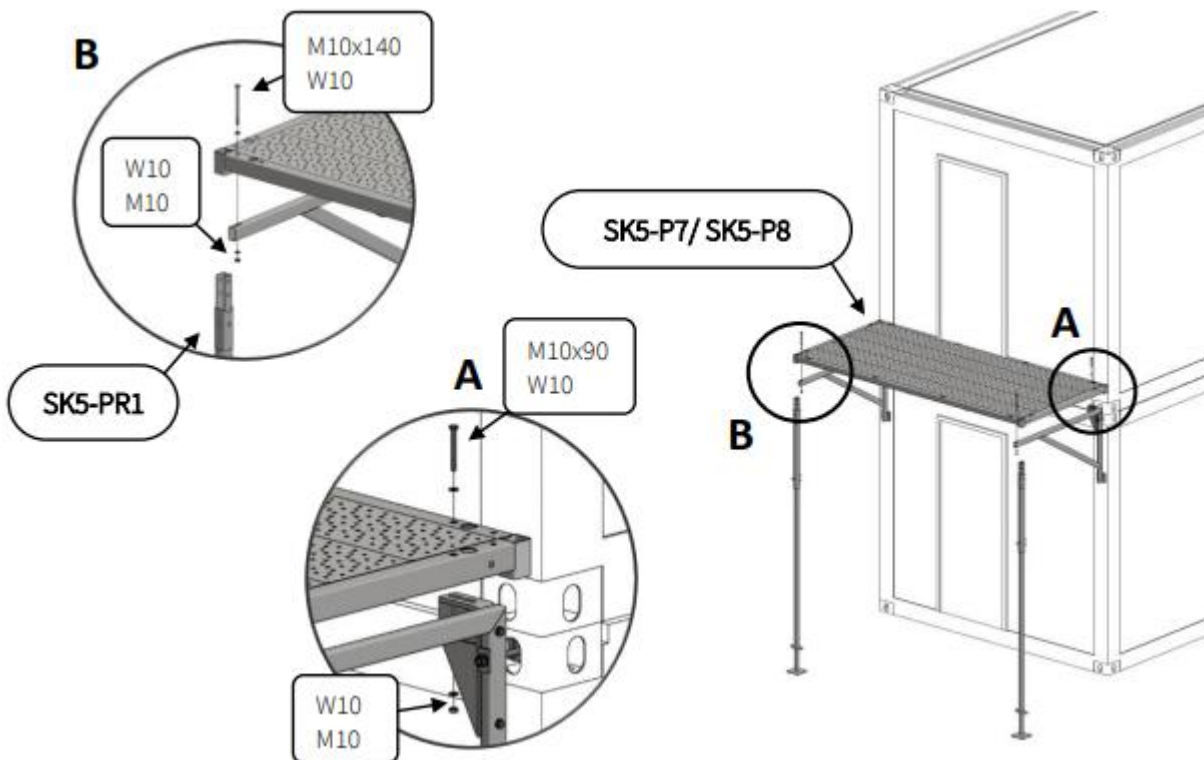


## Platform.

The platforms are assembled on supports and then screwed together with a set of a bolt, washer and nut.

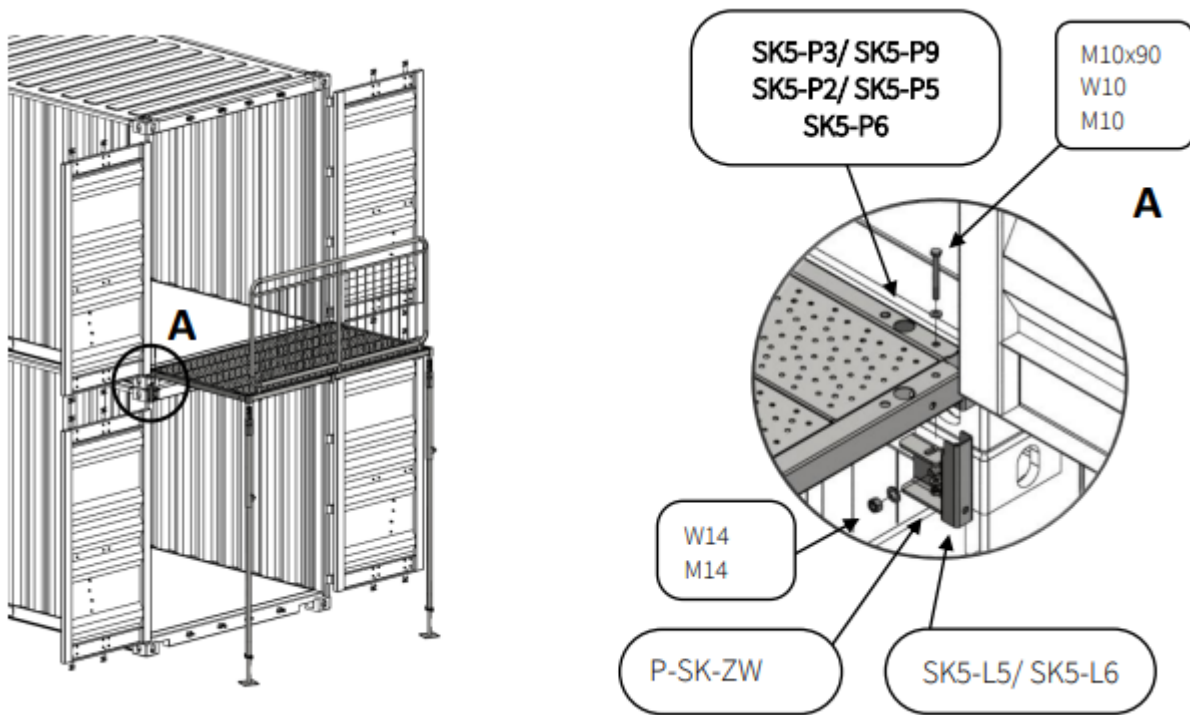


The 3-meter-long platform should be additionally supported with posts.

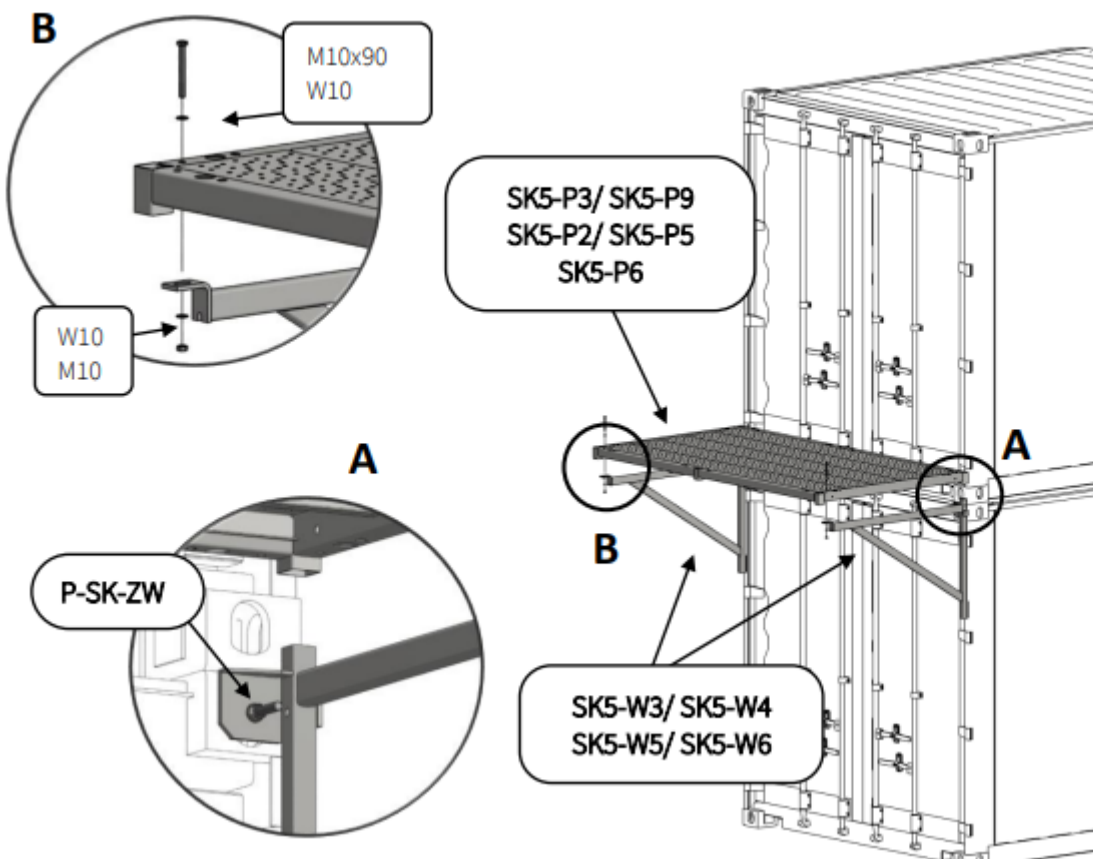




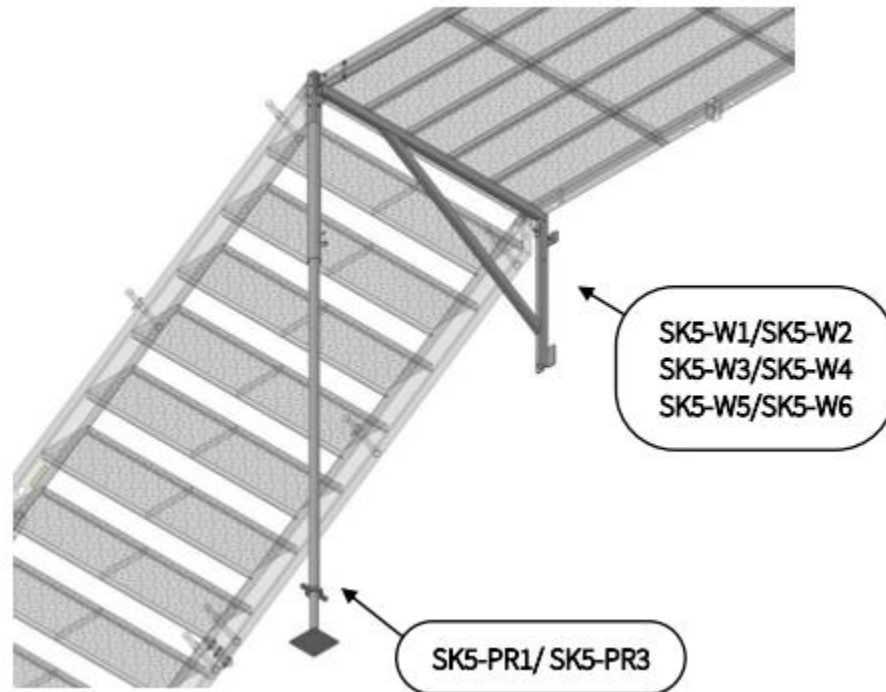
SK5-L5 (left) and SK5-L6 (right) supports are alternative supports for sea containers.



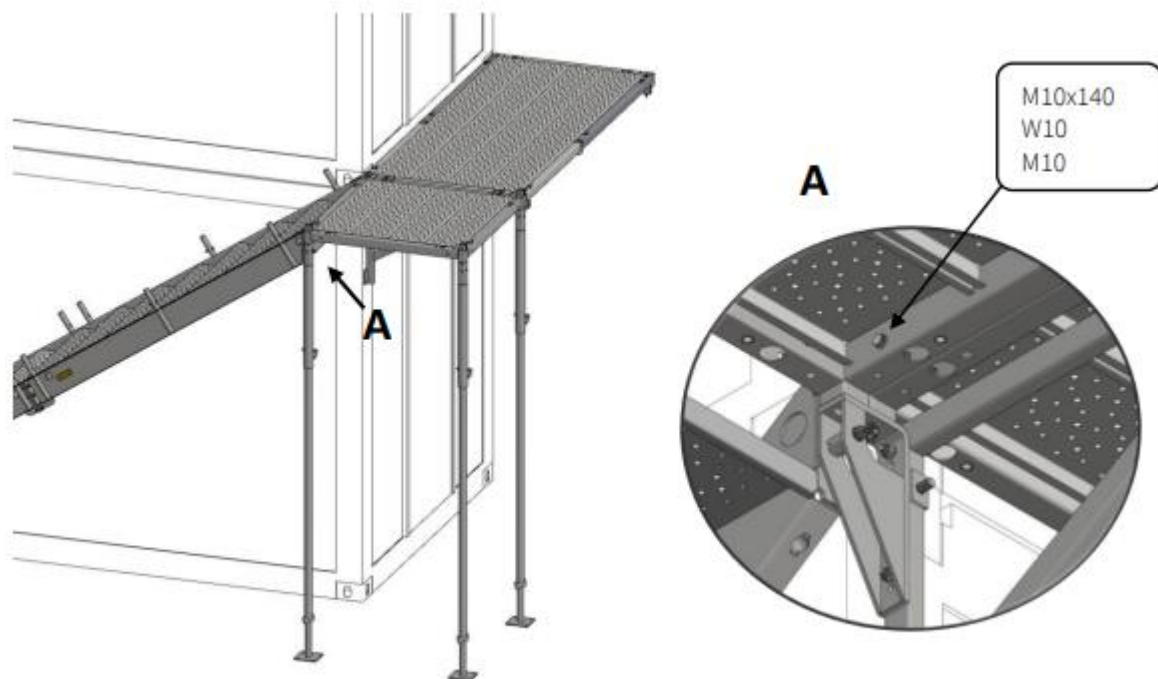
We use W3, W4, W5 and W6 supports for sea containers.



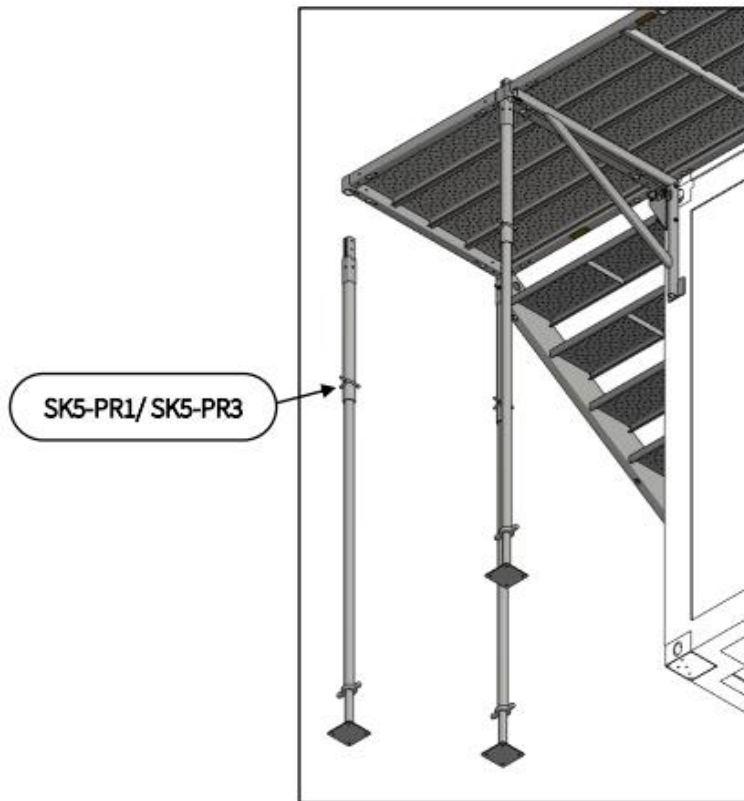
In the case when stairs are assembled to the platform, on this side, the platform should be supported by two posts or a support and a post.



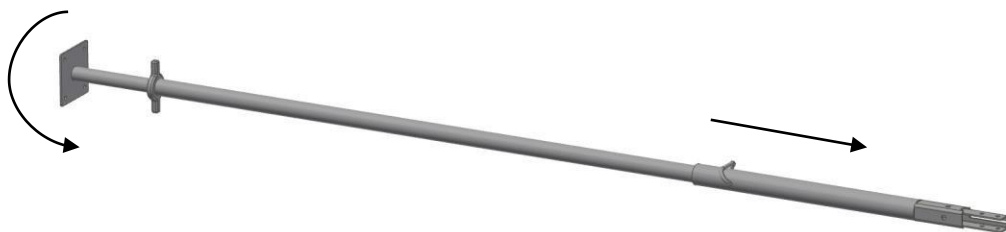
If it is not possible to assemble the platform on the supports, it should be supported at least in three sockets with posts and screwed to the adjacent platform which is assembled on the supports. The adjacent platforms should be screwed together with the set of washer PK, bolt, washers, nut.



The posts should be placed in the platform sockets.



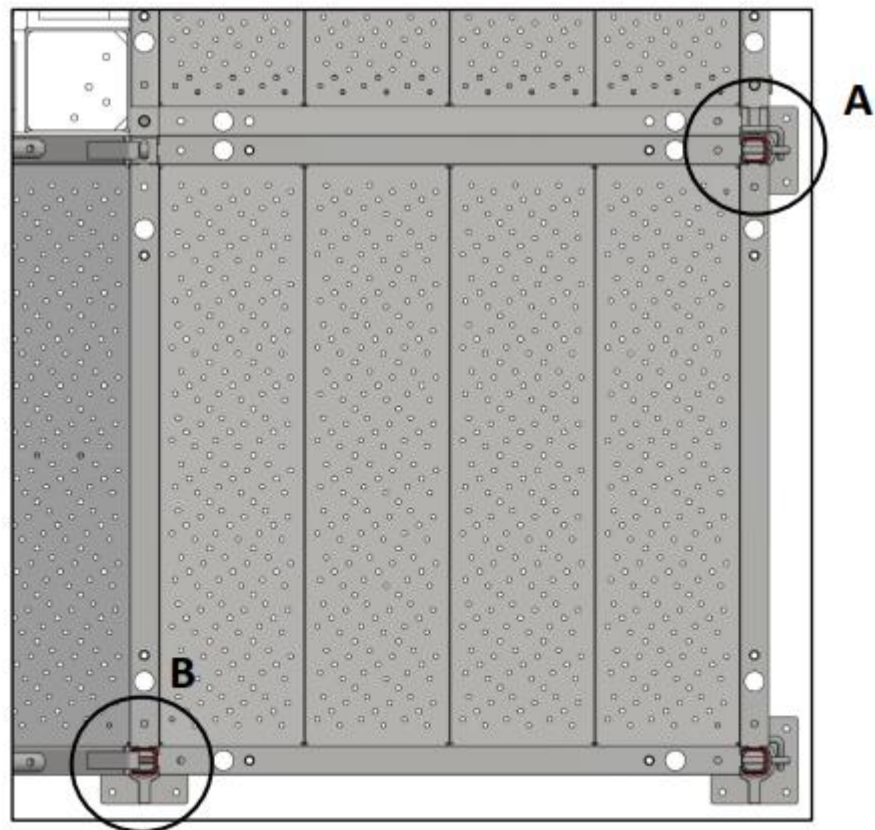
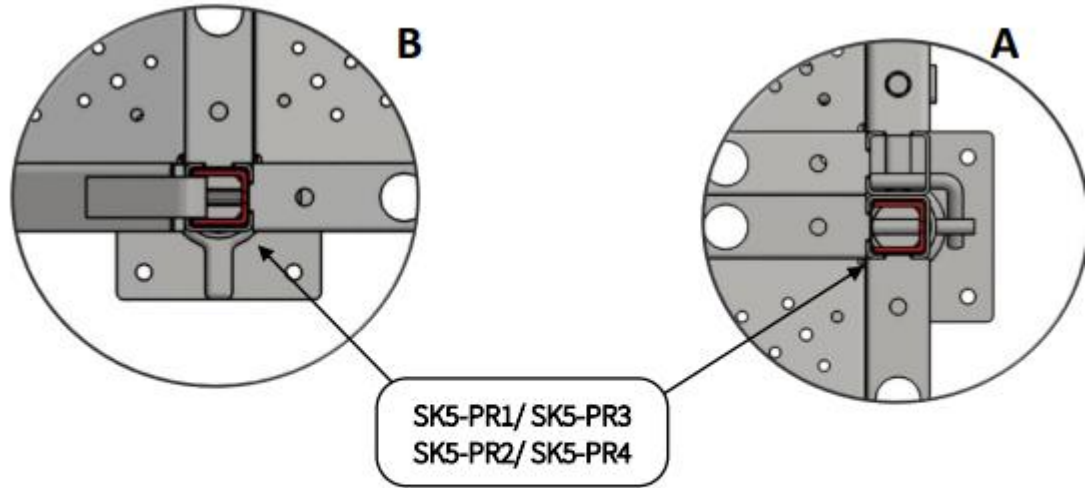
In order to adjust to the height of the container, the PR1 / PR2 posts have three-step adjustments in the upper part. In the event of uneven ground, the PR1 post can be additionally adjusted with an adjustable foot.



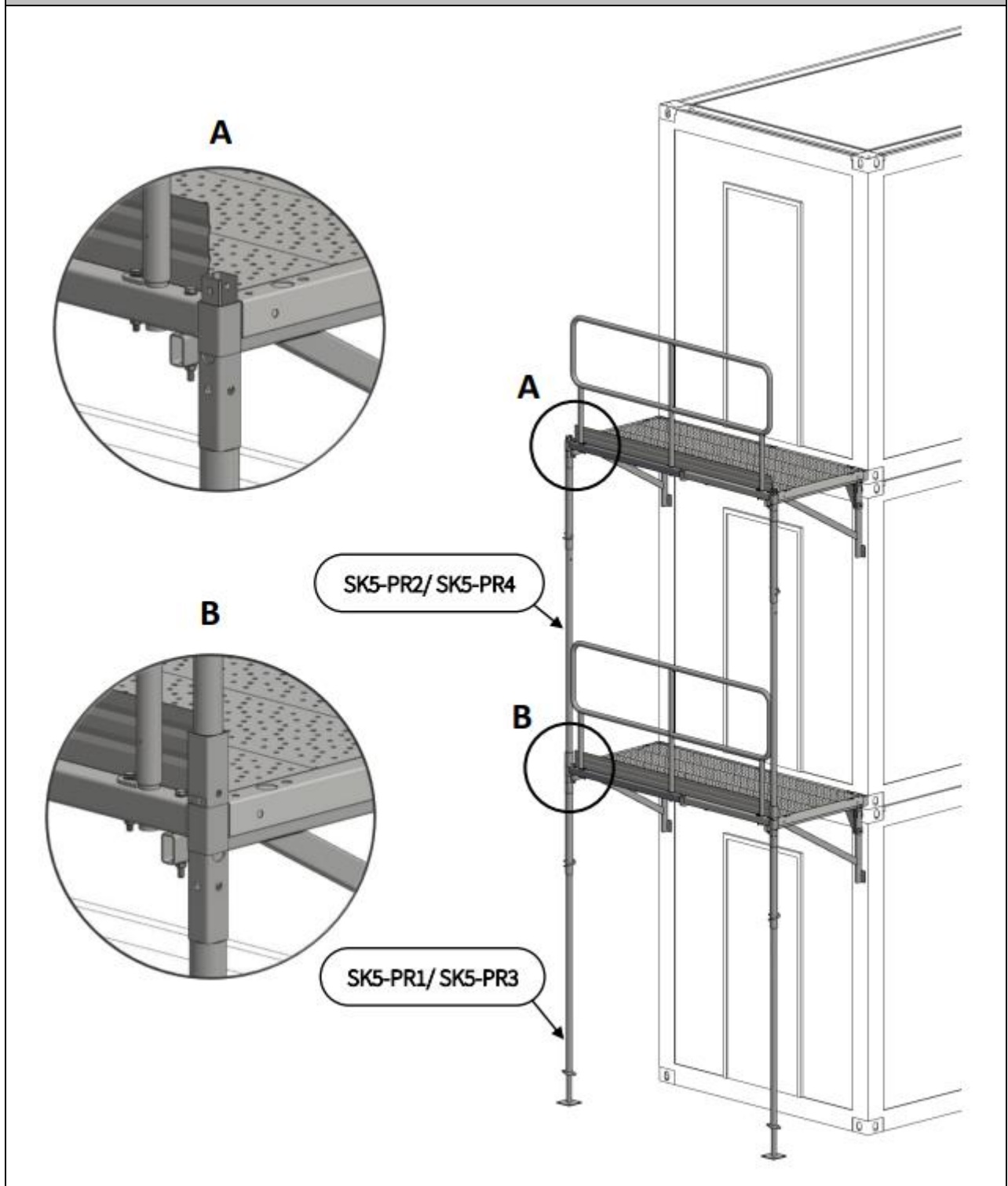
The height of the PR3 / PR4 post should be adjusted to the height of the container to which the stairs are assembled. To do this, disassemble the pins, adjust the height, and insert the pins in the appropriate holes.



The posts that are assembled on the stairs should be placed so that the cut in the spindle of the post points towards the hook of the stairs.

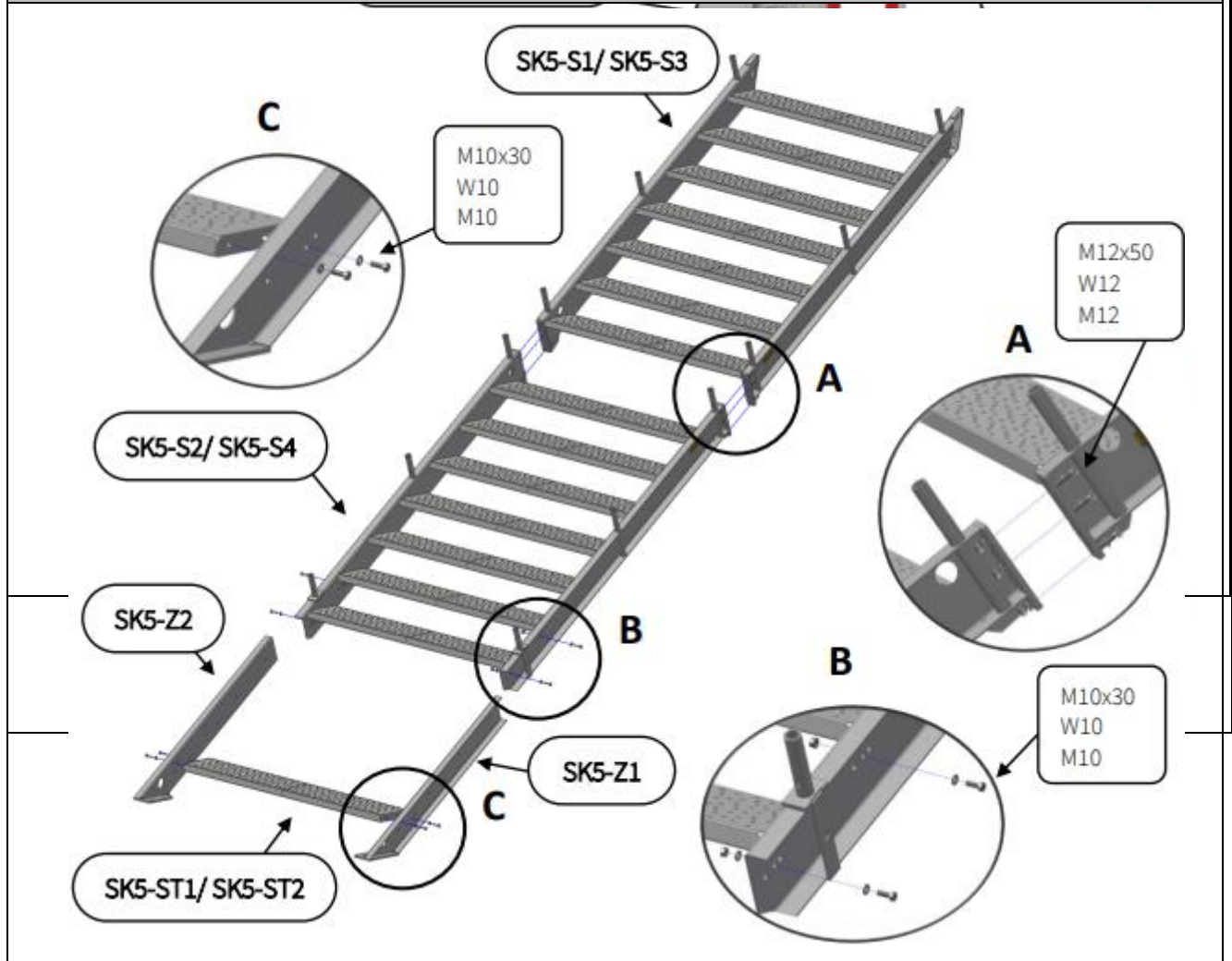


In the case of a multi-storey setting of container stairs, the platforms should be supported with posts from the ground level to the last platform.

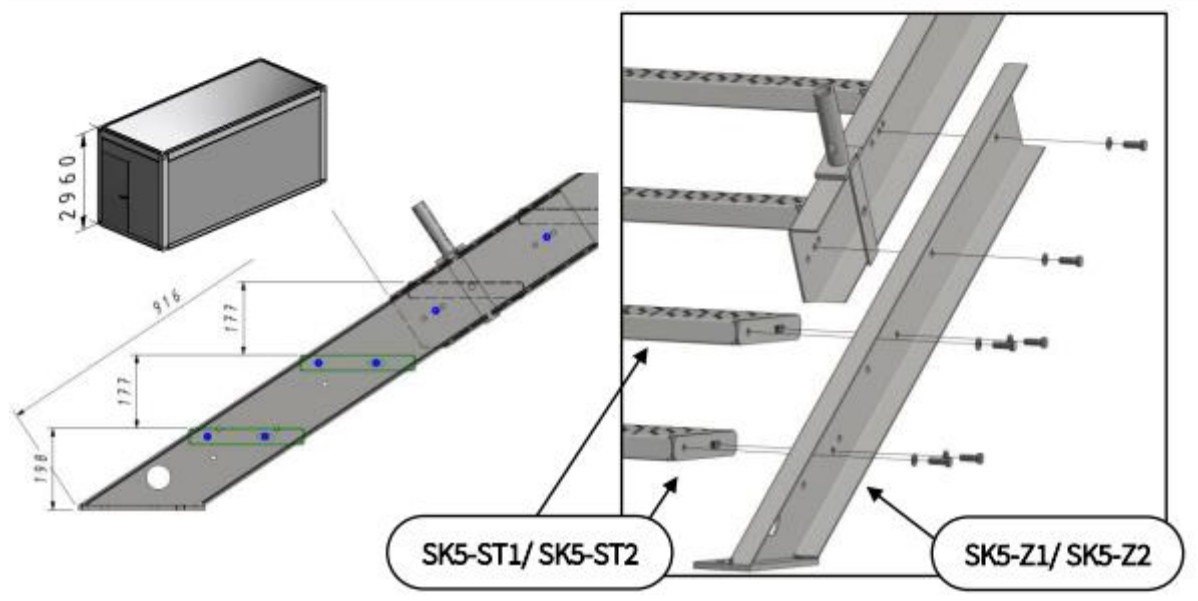
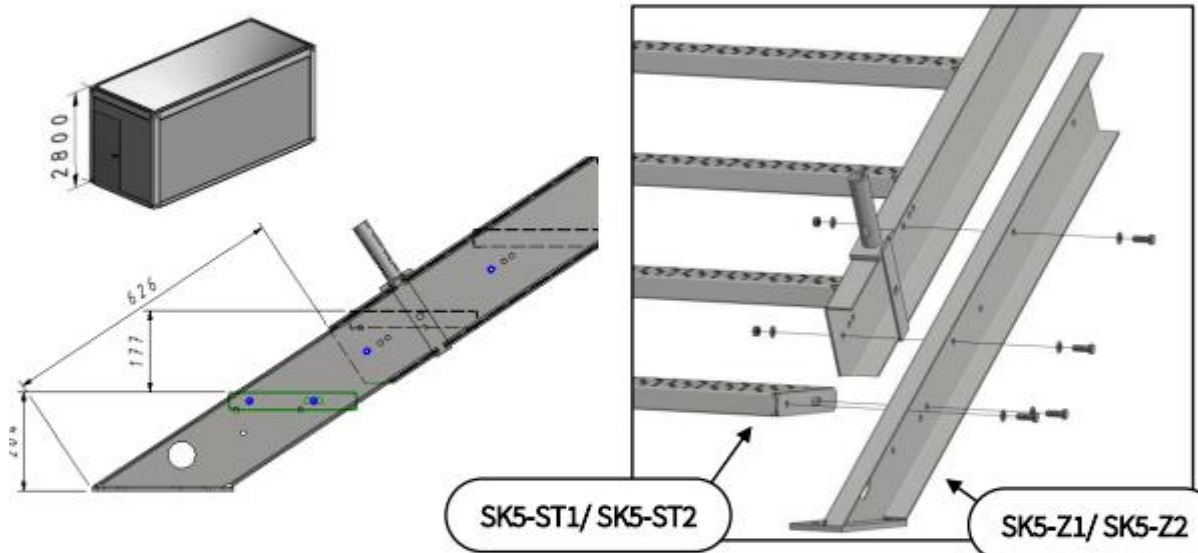
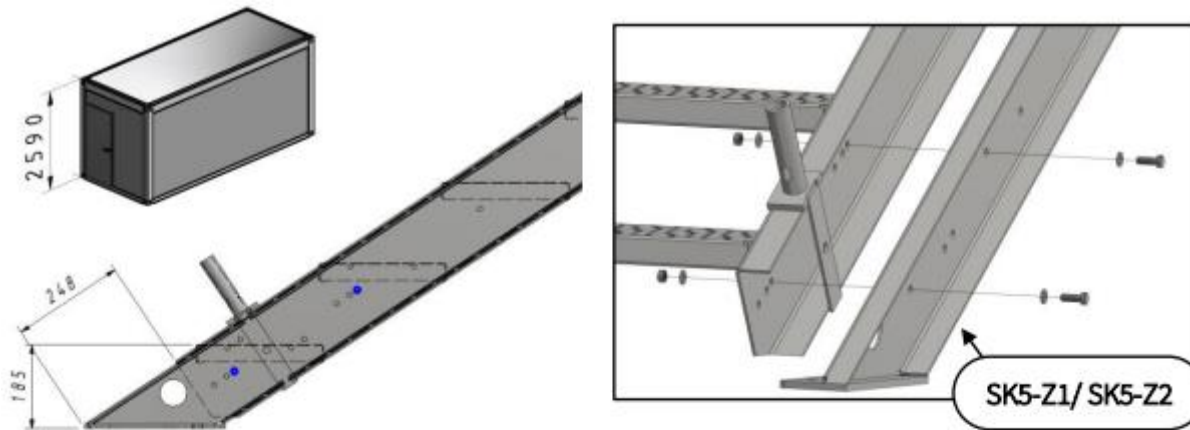


**Stair assembly.**

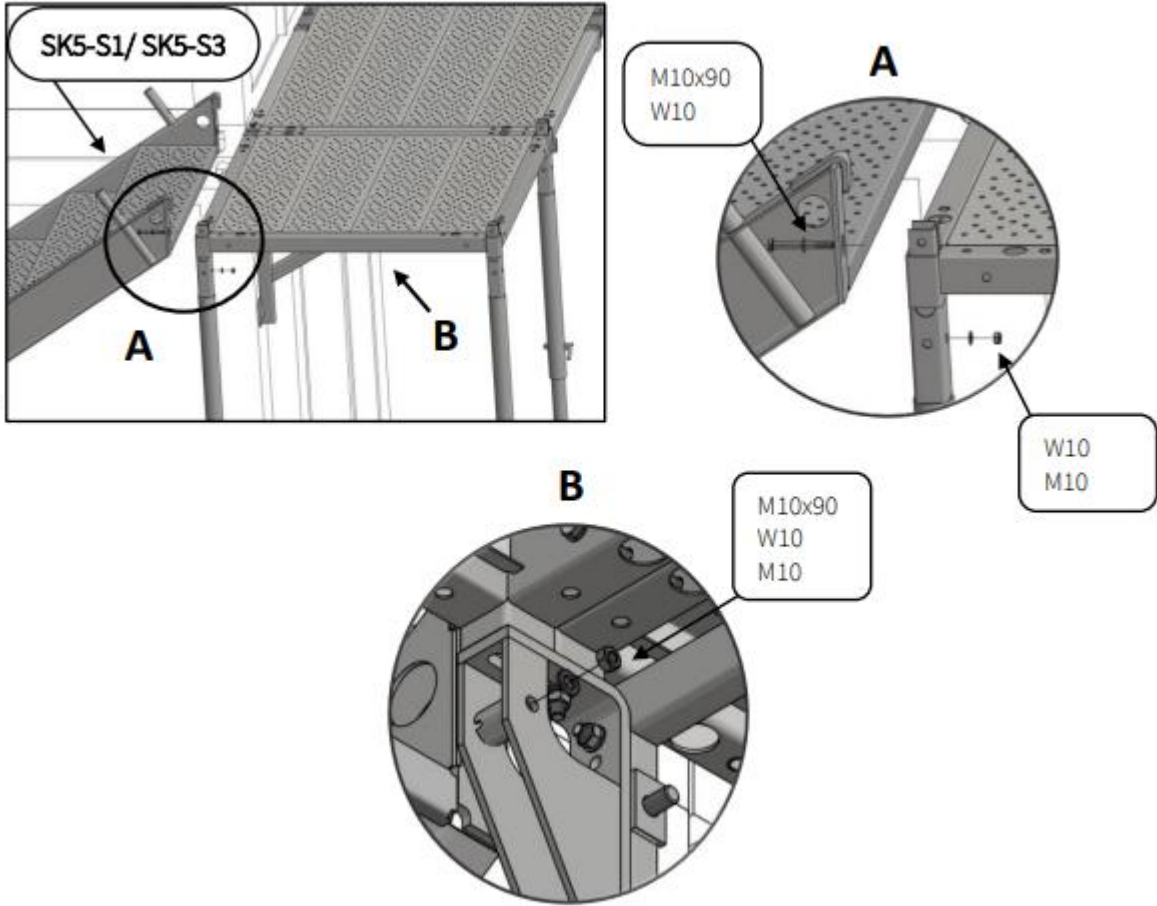
Scheme of the assembly of the stairs. The assembly of SK5-Z1 and SK5-Z2 elements depends on the height of the containers.



The height of the stairs should be adjusted to the height of the container as presented below

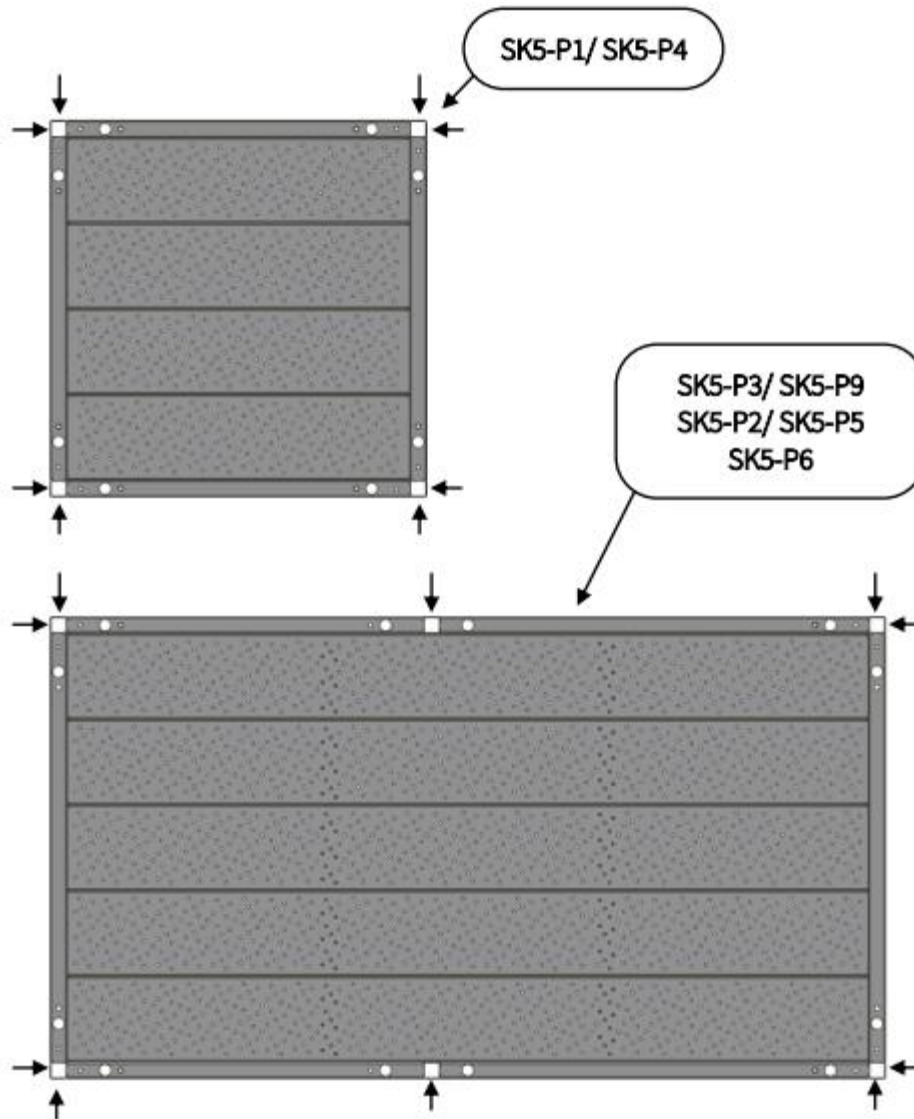


The stairs have hooks that facilitate assembly, they should be hung on the platform sockets and then screwed with a set of bolts, washers, nuts.

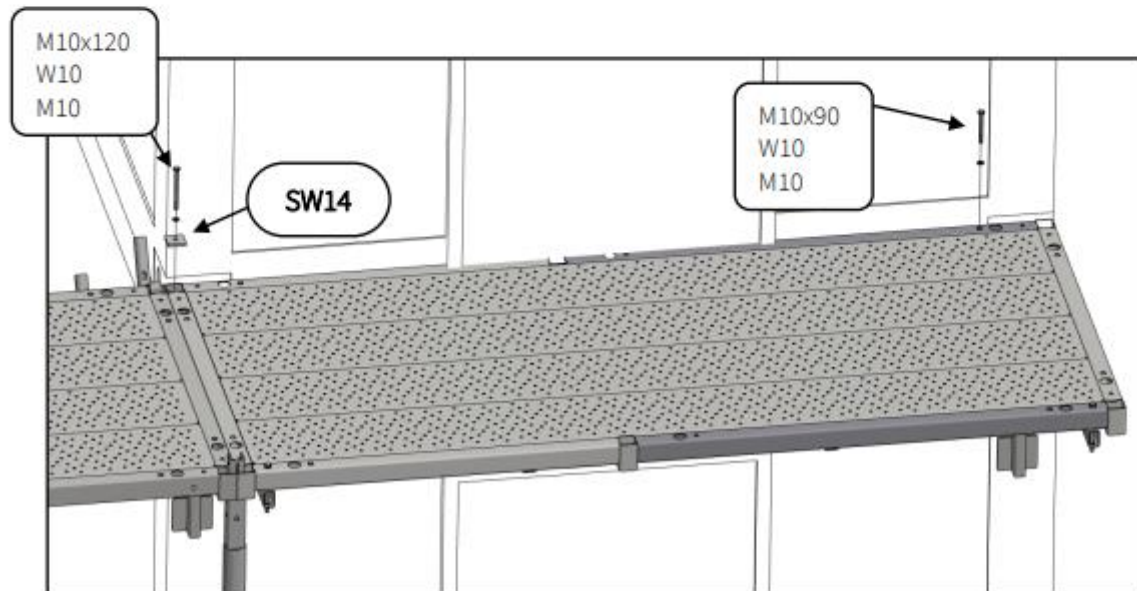
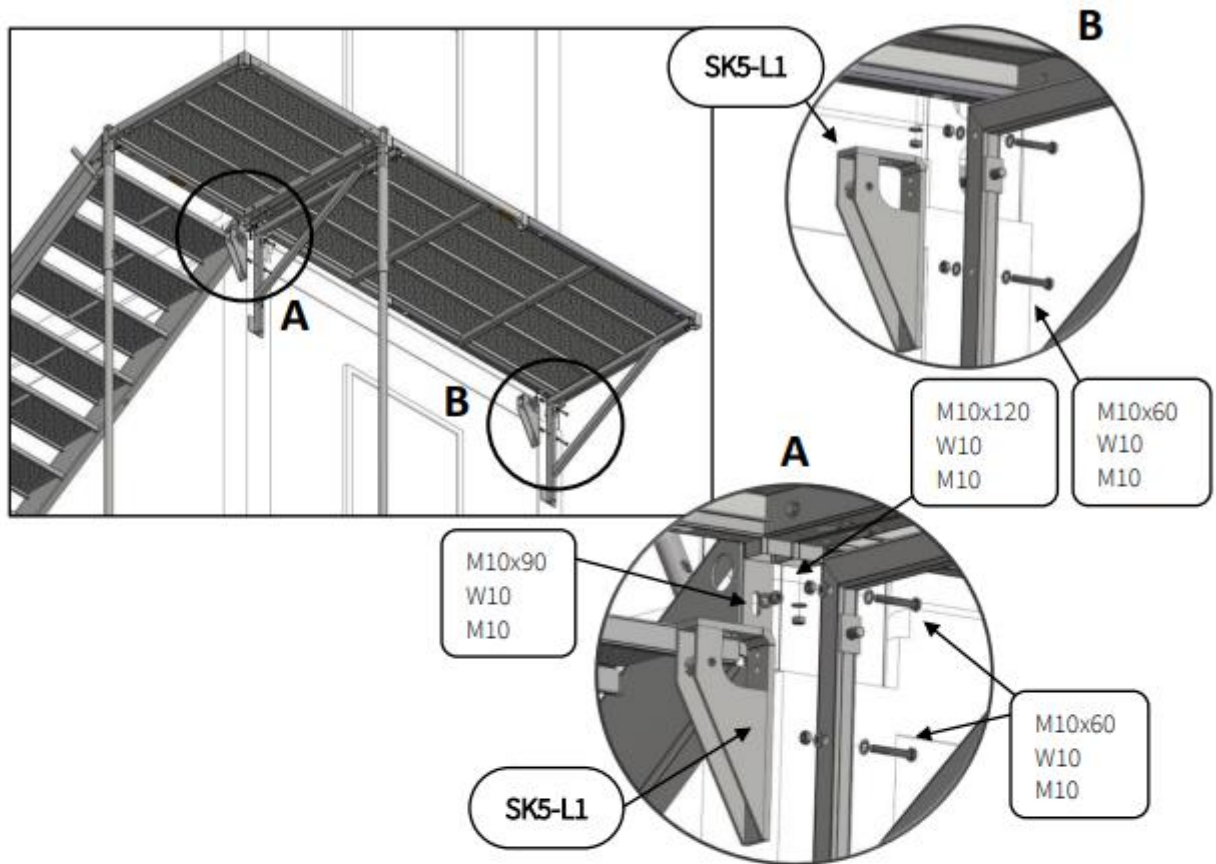




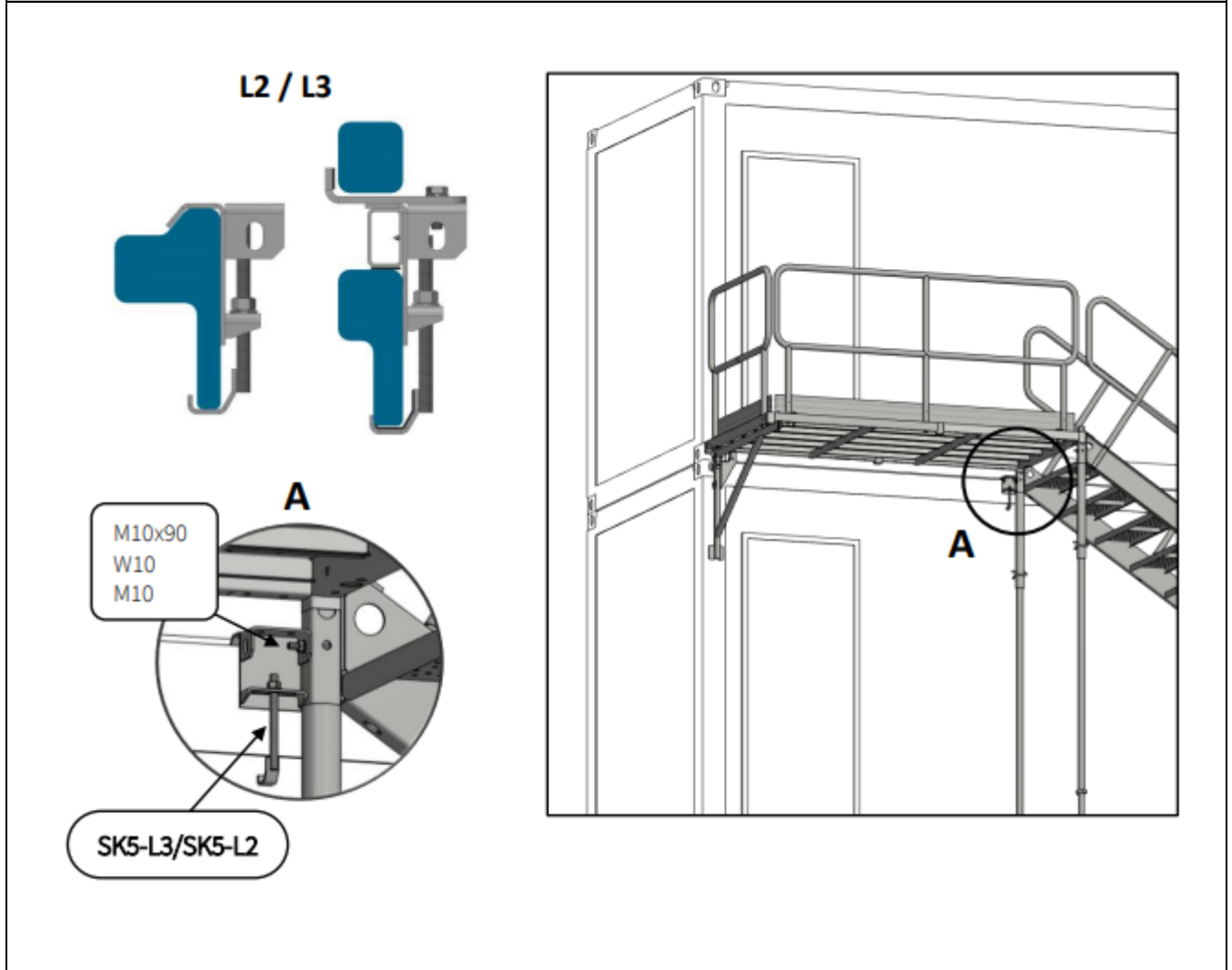
For the 1100x1100 and 1200x1200 platforms, the stairs can be assembled on four sides, depending on the needs. For platforms with a length of 2440 and 1690, the stairs should be assembled on the short edge or in the sockets on the long edges.



LP (SK5-L1) connector assembly.

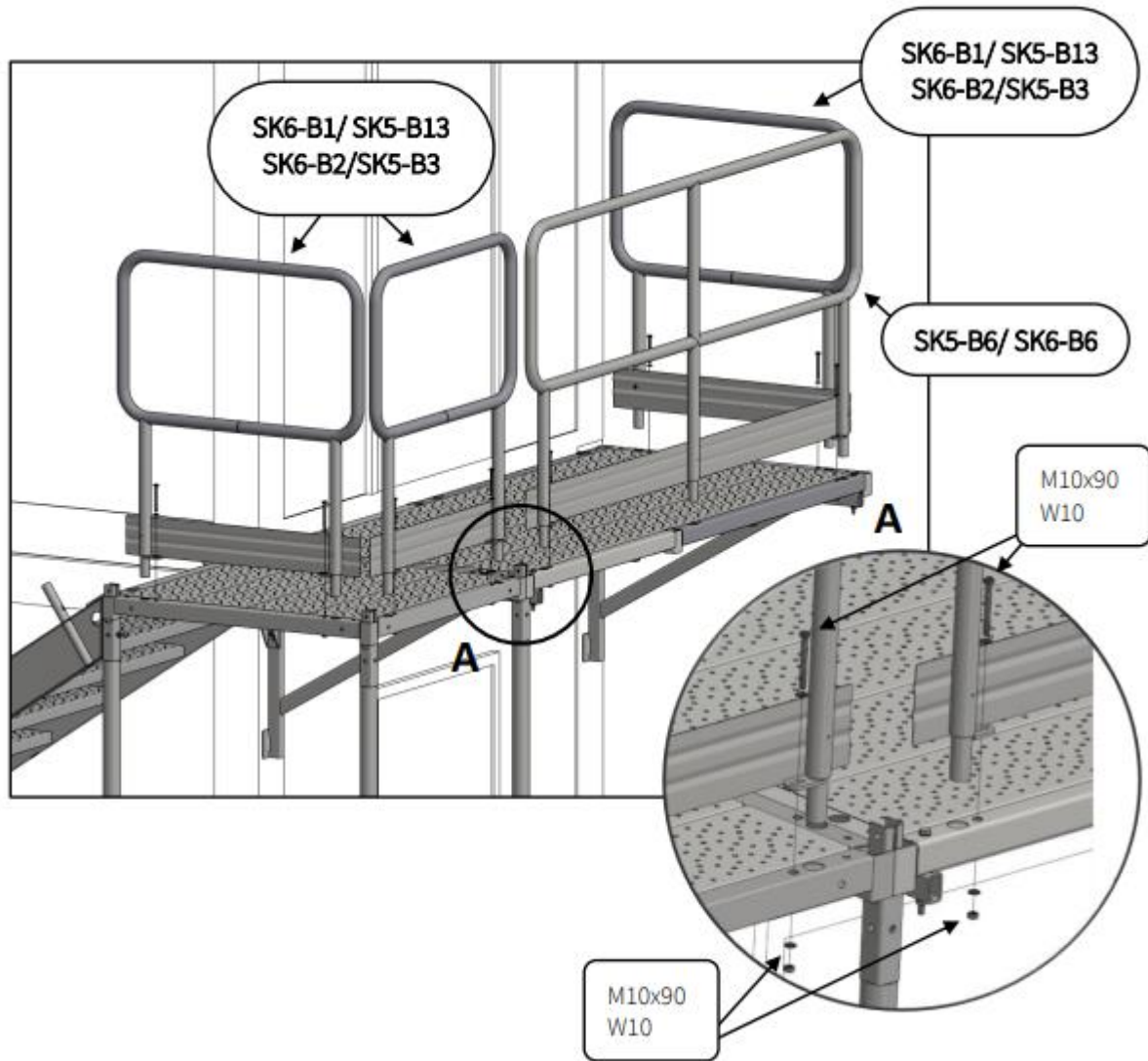


The L2 / L3 connector is assembled on the container cornice and screwed to the structure of the container stairs, it prevents the platform from moving away from the container when the platform is assembled on one support and two posts along the container.

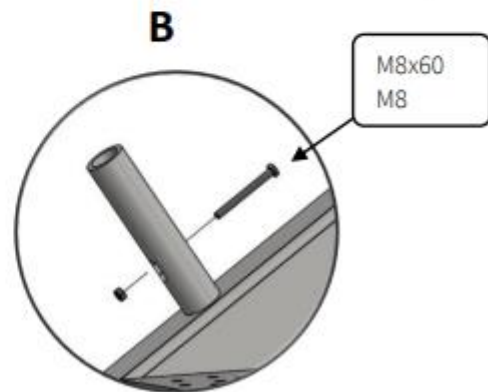
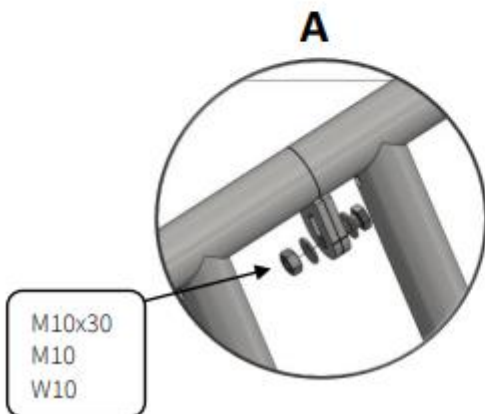
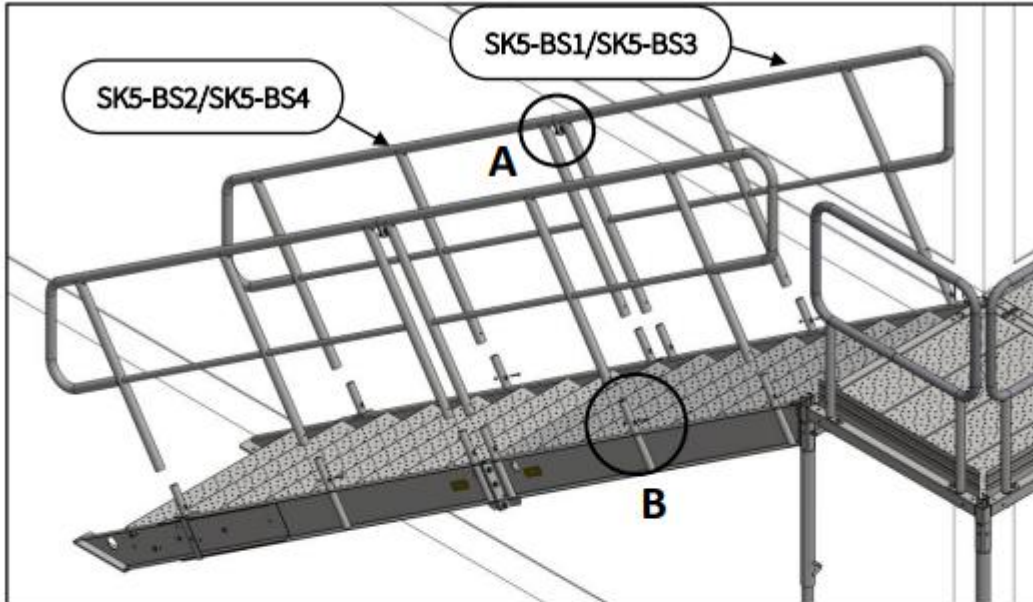


**Railing assembly.**

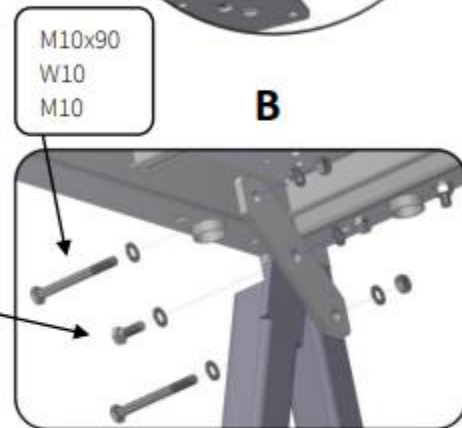
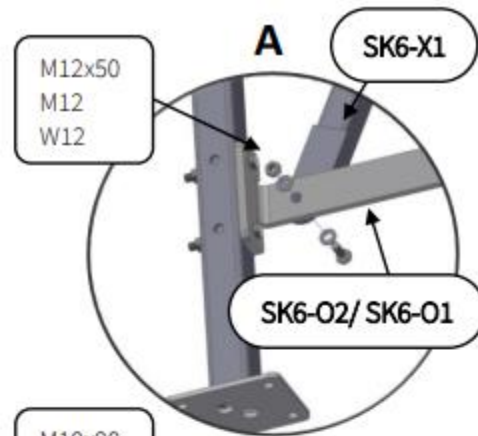
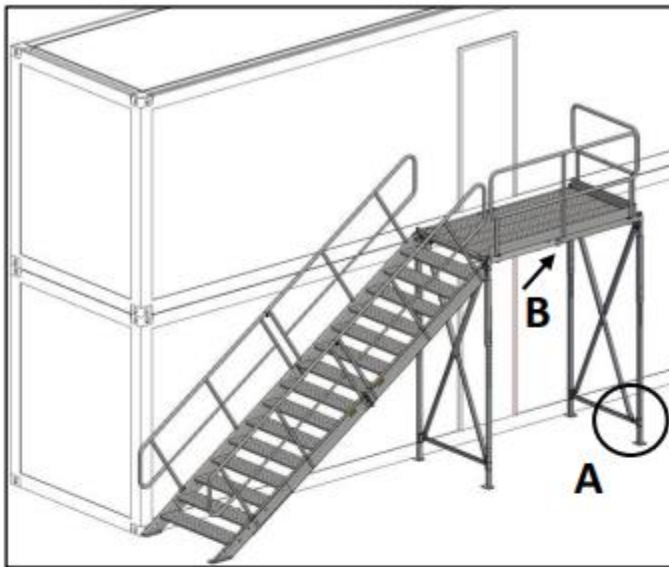
The railings are assembled by placing the railing in the platform socket, then screwing the railing to the platform with a set of screws, washers, nuts.



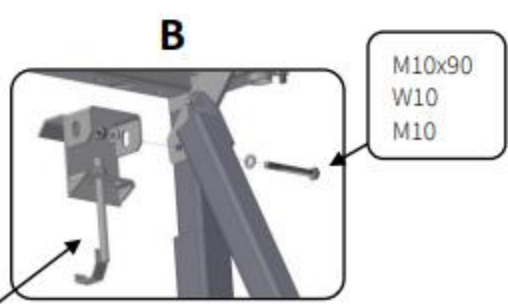
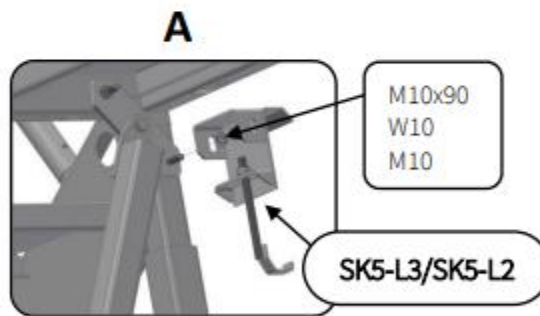
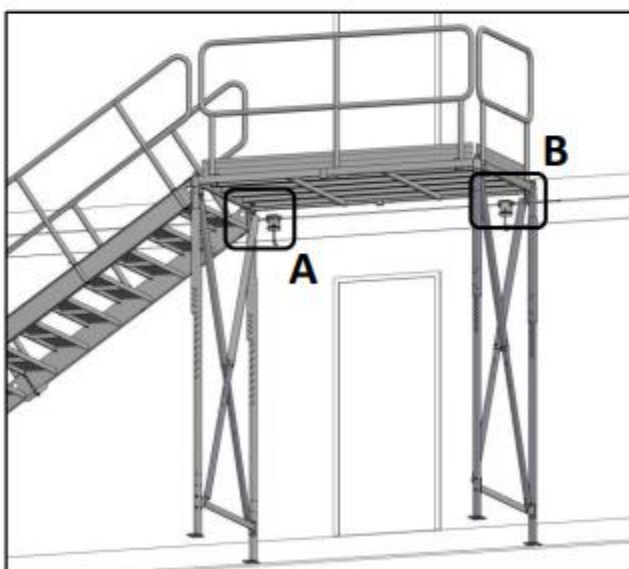
The stair railing is assembled by placing railing in the stair spindles, and then securing it with a bolt and nut set. To prevent the railing from being pulled out, at least one bolt is used for one railing.



When the platforms are assembled only on posts, it is necessary to assemble the braces and screw them to the container frame with L2 or L3 connectors.



M12x50  
M12  
W12



SK5-L3/SK5-L2

When assembling the configuration with the entry to the second level, the minimum required number of office containers is 9.

