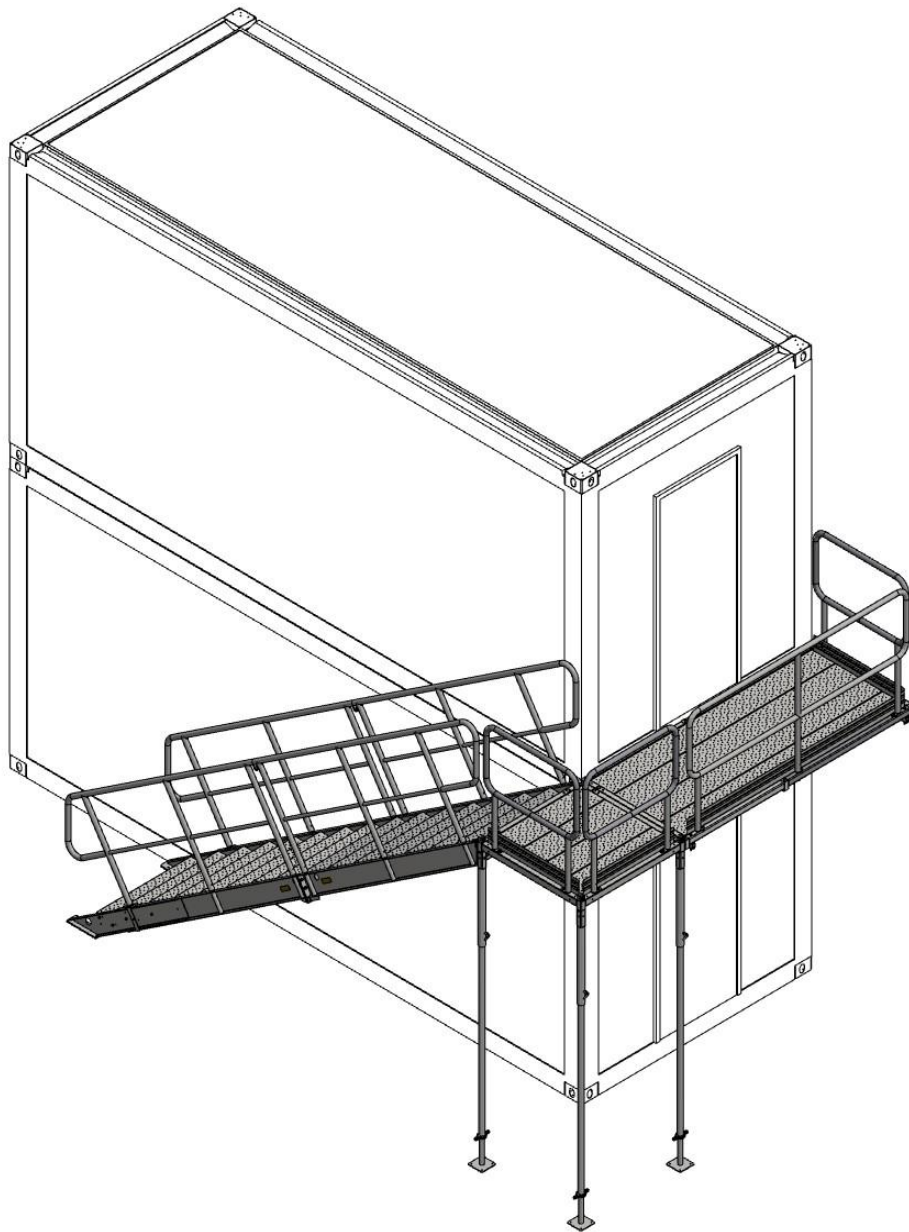


# Manual

## Steel container stairs 2kN/m<sup>2</sup>



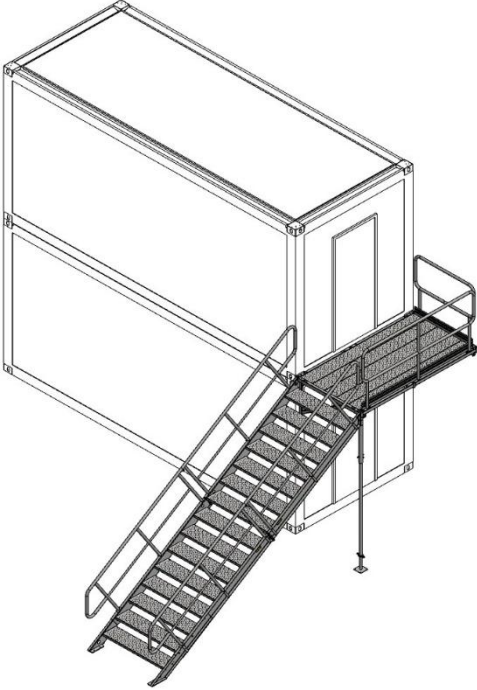
# Steel Container stairs

If you have a container as an office unit, it can be useful to add a container staircase. Especially when you have stacked containers. Of course, you want a solid staircase that meets all safety standards. EasyStairs has the perfect solution for this.

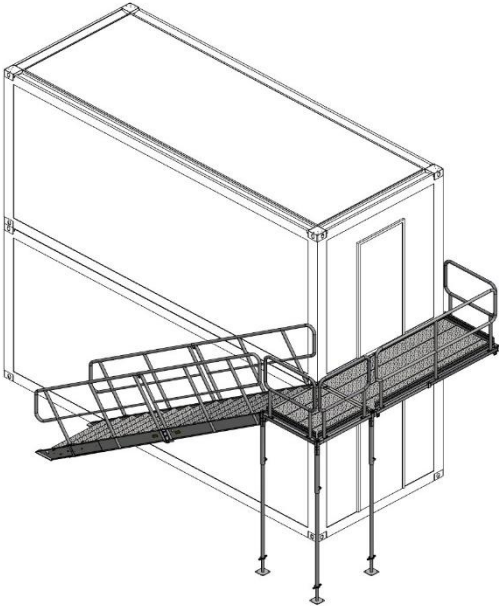
We offer container stairs in aluminum and steel! This way, you are always assured that your staircase is sturdy, durable and professional. No more hassle with custom-made stairs. We have a beautiful standard staircase that you can place with every container. This ensures that it lasts a long time and is therefore relatively inexpensive! Especially when you are looking for a container staircase for a longer period of time, a container staircase from EasyStairs is exactly what you need.

All container stairs are securely attached to the container so that it is sturdy and safe. A steel container staircase is a good solution for a longer period of time. For example, when you need a construction site hut for a long time and want to use a container for this. The container staircase is attached to the container. The stairs have a handrail on both sides to prevent you from falling. They also have perforated steps, which means the stairs remain safe to walk on in all weather conditions.

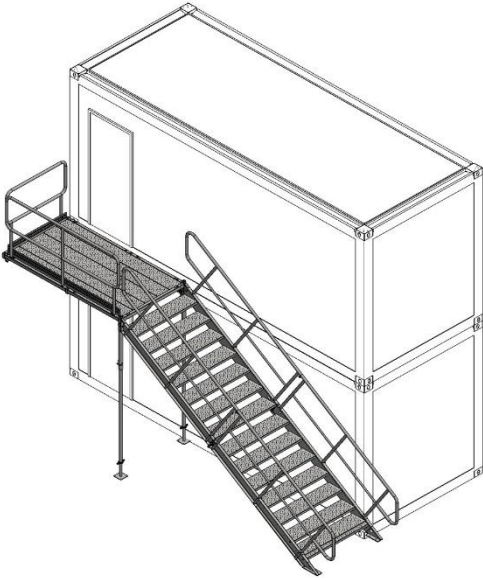
# Variants



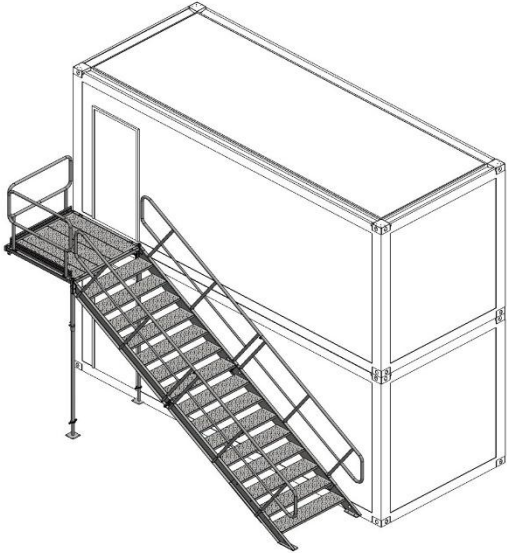
**Variant S2.1**



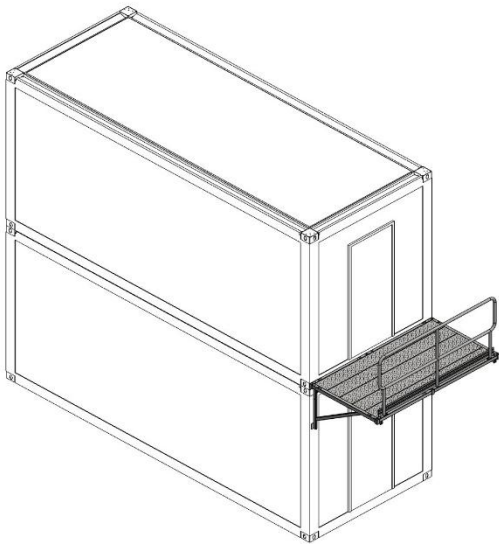
**Variant S2.3**



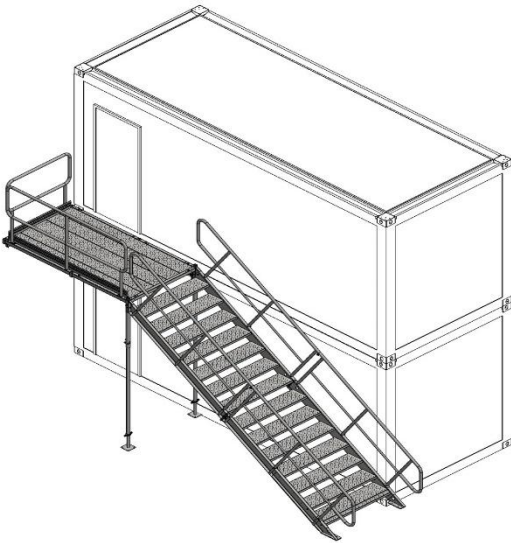
**Variant S2.4**



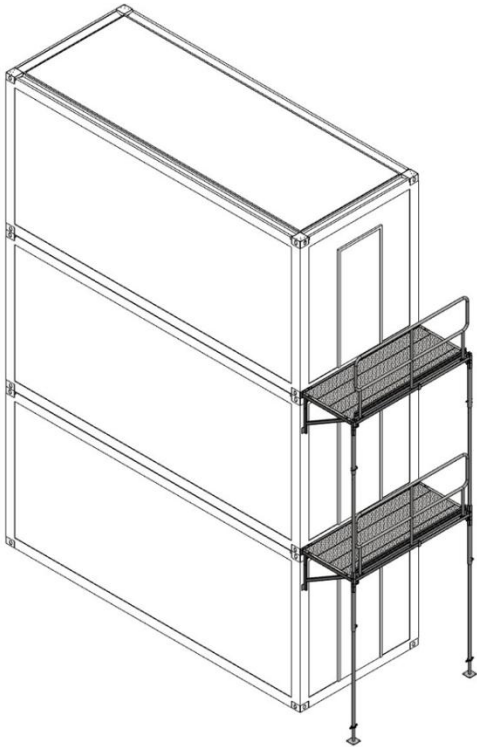
**Variant S2.4A**



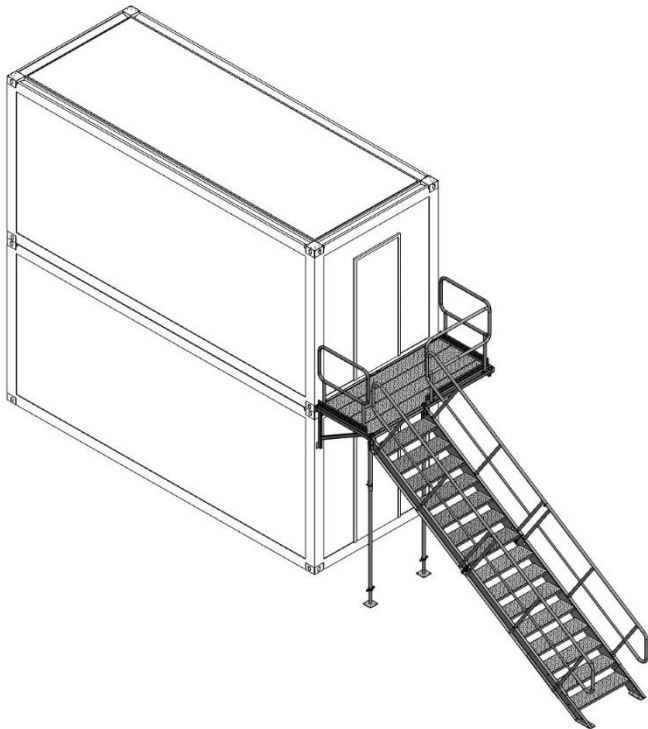
**Variant S2.5**



**Variant S2.6**

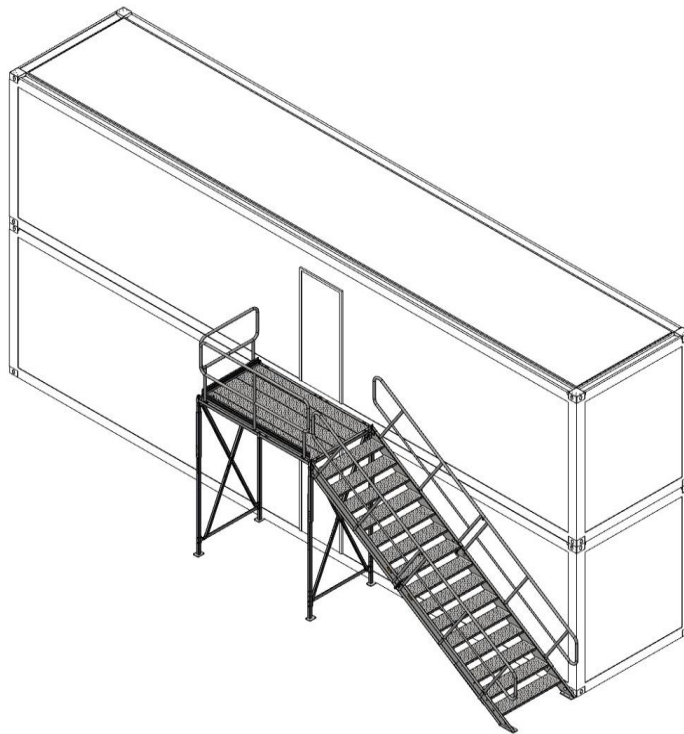


**Variant S2.7**

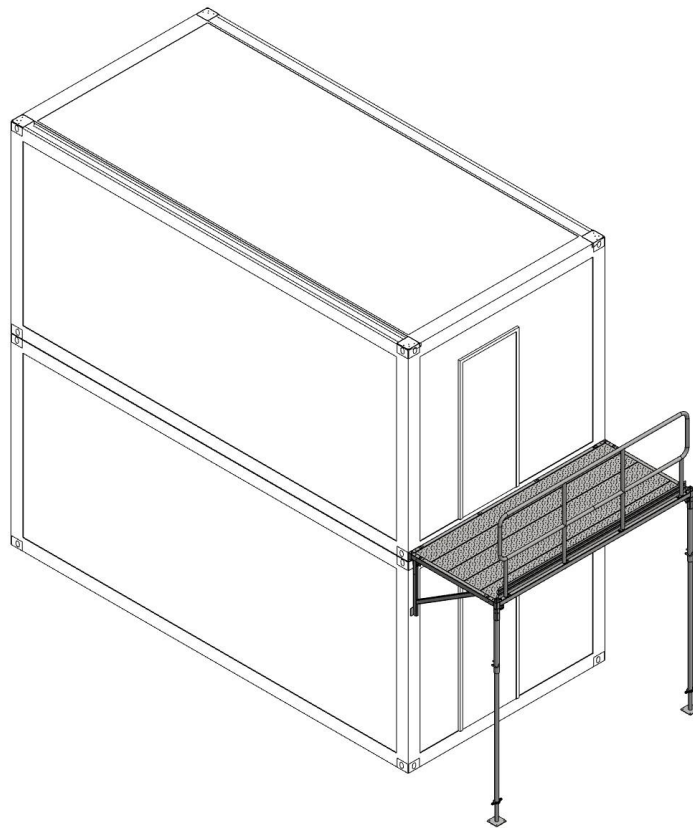


**Variant S2.8**



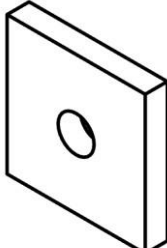
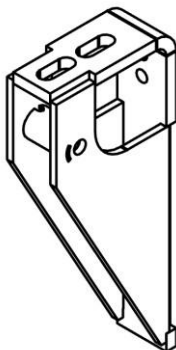
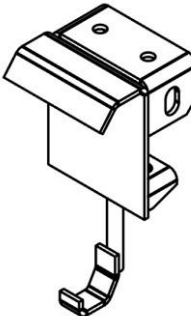
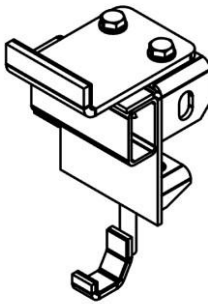
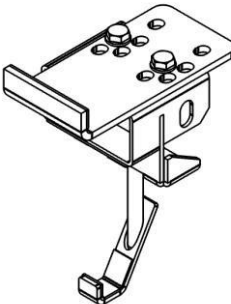
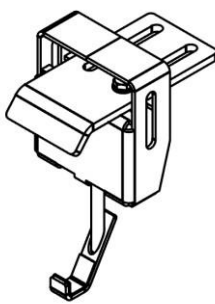



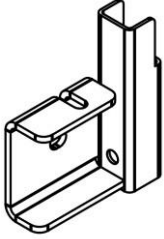
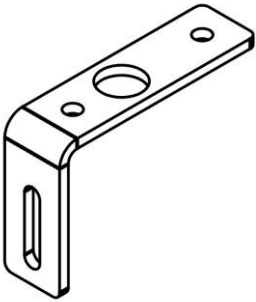
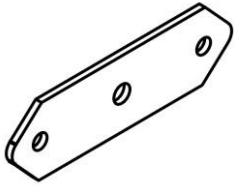
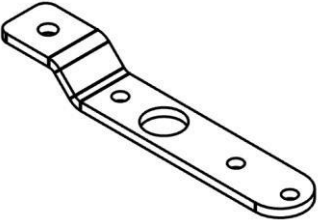
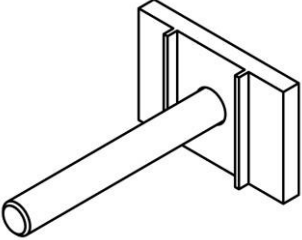
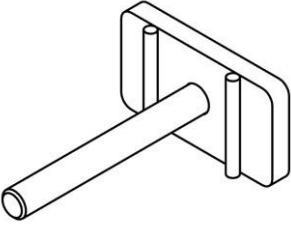
**Variant S2.10**



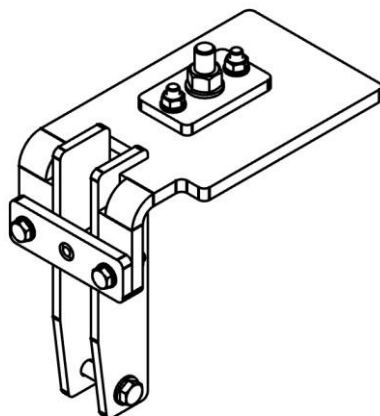
**Variant S2.11**

## Parts

<p>SK5-D1 (M-Z-P-K-14-ZN-Z)</p>  <p>0,15 kg 50x50x8 mm</p>	<p>SK5-L1 (P-SK5-LP)</p>  <p>2,78 kg 1.100x1.100x80 mm</p>
<p>SK5-L2 (P-SK5-LP2)</p>  <p>1,08 kg 220x100x100 mm</p>	<p>SK5-L3 (P-SK5-LP3)</p>  <p>1,97 kg 225x100x120 mm</p>
<p>SK5-L12</p>  <p>1,78 kg 233x175x108 mm</p>	<p>SK5-L16</p>  <p>2,38 kg 257x192x90 mm</p>

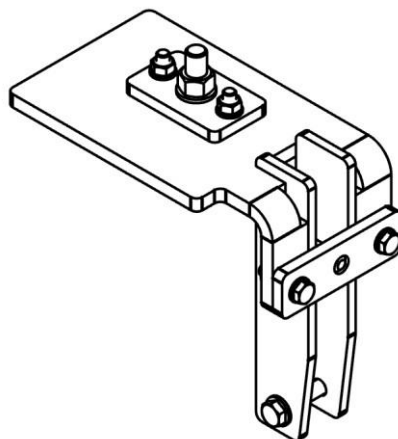
<p>SK5-L5</p>  <p>1,29 kg 140x165x46 mm</p>	<p>SK5-L6</p>  <p>1,29 kg 140x165x46 mm</p>
<p>SK5-L17</p>  <p>0,76 kg 1.100x1.100x80 mm</p>	<p>SK6-L1 (P-SK6-LP5)</p>  <p>0,36 kg 189x57x5 mm</p>
<p>SK6-L3</p>  <p>0,10 kg 1.100x1.100x80 mm</p>	<p>P-SK-ZW</p>  <p>0,40 kg 119x75x50 mm</p>
<p>SK5-ZW2</p>  <p>0,53 kg 129x90x50 mm</p>	

SK5-KWP



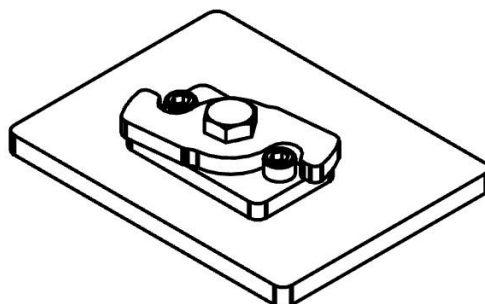
7,20 kg  
255x233x150 mm

SK5-KWL



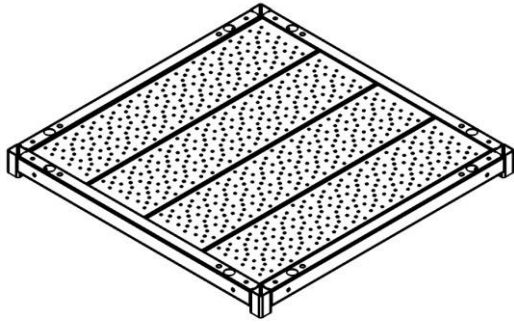
7,20 kg  
255x233x150 mm

SK5-KW



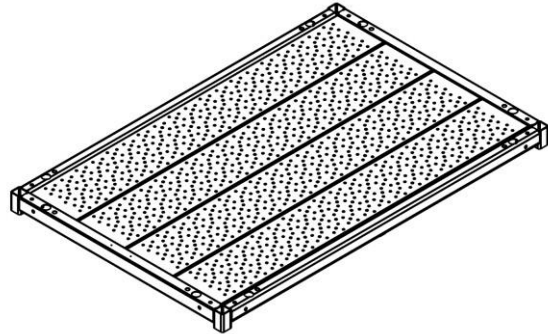
4,20 kg  
197x150x50 mm

SK5-P1 (P-SK5-PD1.1)



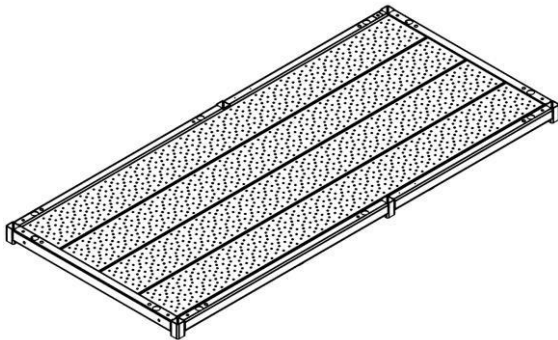
34,91 kg  
1.100x1.100x80 mm

SK5-P2 (P-SK5-PD1.69)



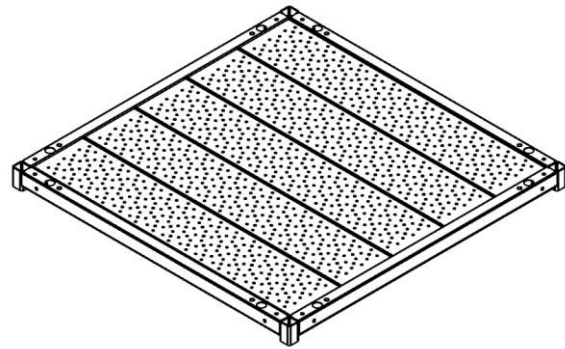
57,57 kg  
1.690x1.100x80 mm

SK5-P3 (P-SK5-PD2.4)



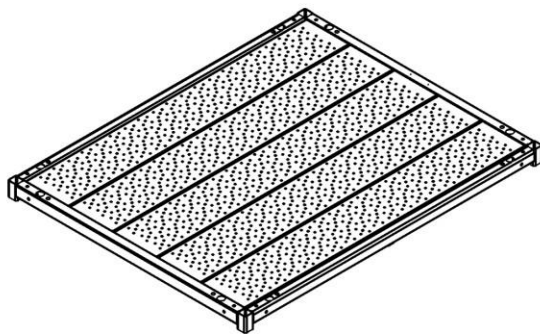
83,00 kg  
2.440x1.100x80 mm

SK5-P4 (P-SK5-PD1.2)



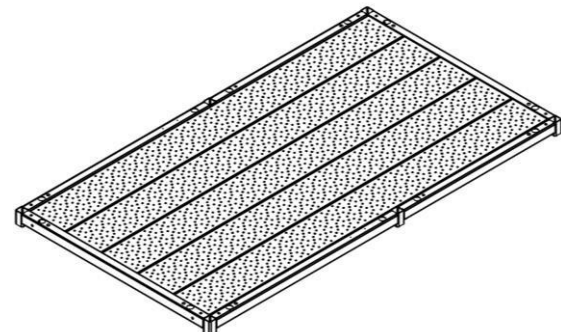
49,85 kg  
1.350x1.350x80 mm

SK5-P5 (P-SK5-PD1.69x1.2)



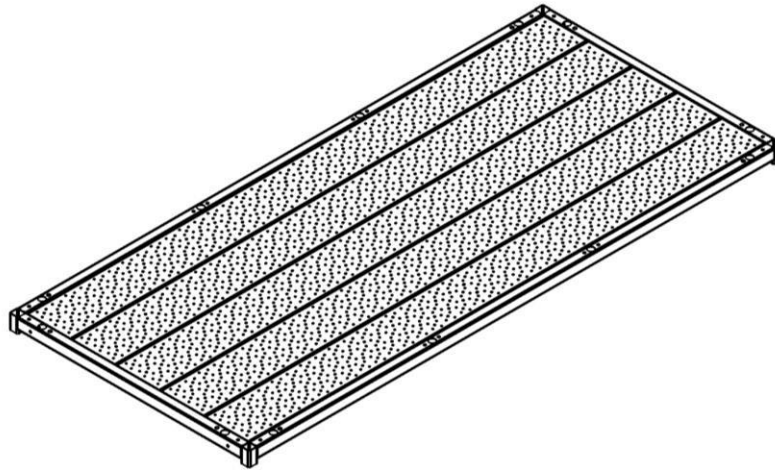
68,08 kg  
1.690x1.350x80 mm

SK5-P6 (P-SK5-PD2.4-1.2)



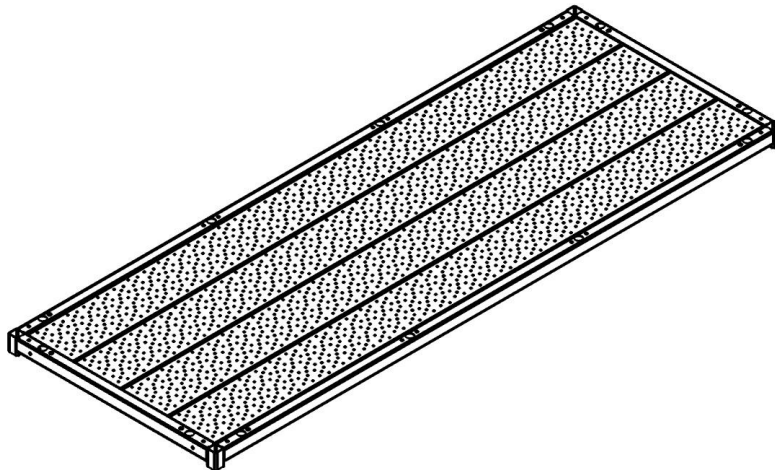
98,30 kg  
2.440x1.350x80 mm

SK5-P7



121,43 kg  
2.989x1.350x80 mm

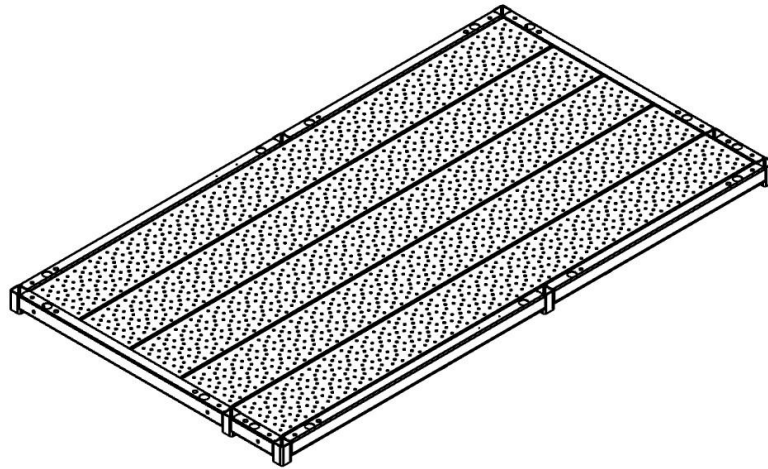
SK5-P8



102,87 kg  
3.000x1.100x80 mm

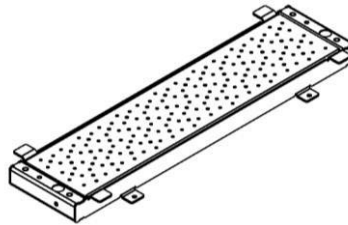


SK5-P9



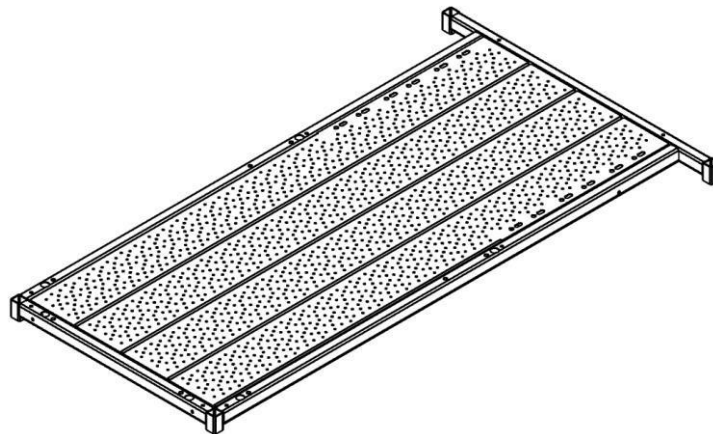
99,20 kg  
2.440x1.350x80 mm

SK6-P12



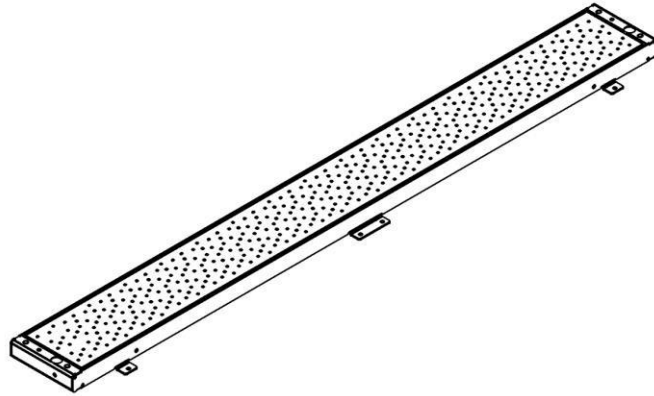
15,96 kg  
1.100x340x60 mm

SK6-P13



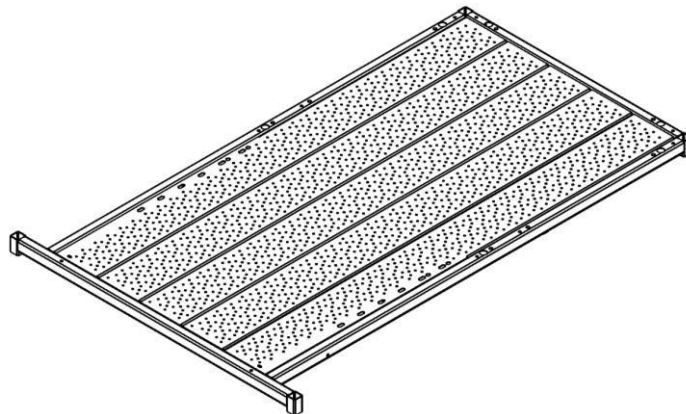
115,39 kg  
2.545x1.450x80 mm

SK6-P14



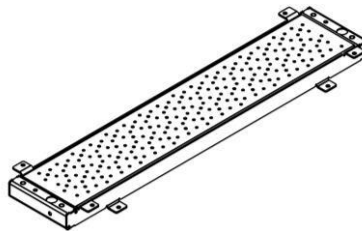
33,80 kg  
2.440x340x60 mm

SK6-P15



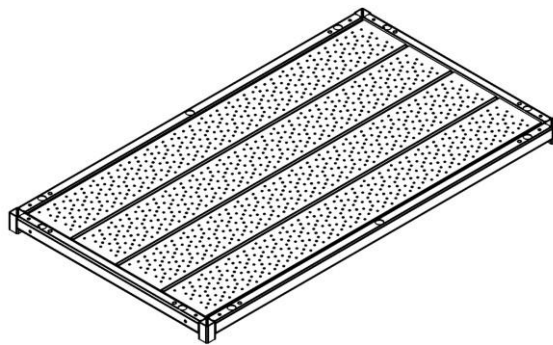
137,50 kg  
2.545x1.700x80 mm

SK6-P16



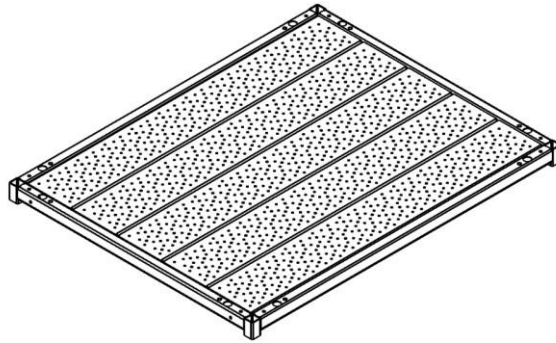
19,10 kg  
1.350x340x60 mm

SK6-P17



87,10 kg  
1.961x1.100x80 mm

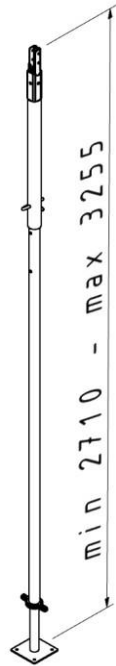
SK6-P18



91,90 kg

1.711x1.350x80 mm

SK5-PR1 (P-SK5-PR)



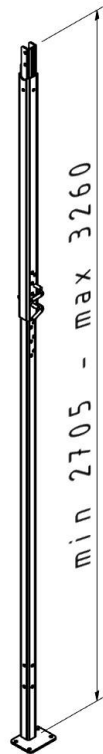
20,09 kg  
3.255x150x150 mm

SK5-PR2 (P-SK5-PR2)



14,61 kg  
2.980x50x50 mm

SK6-PR1 (P-SK6-PR2)



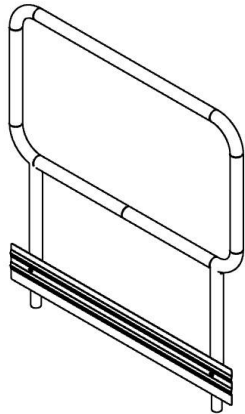
23,90 kg  
3.260x130x100 mm

SK6-PR2



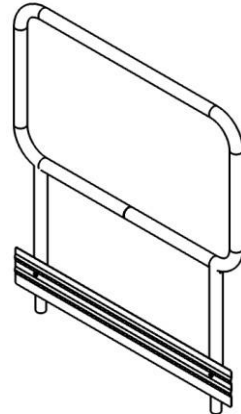
22,62 kg  
3.125x50x50 mm

SK5-B1 (P-SK5-BP1.04)



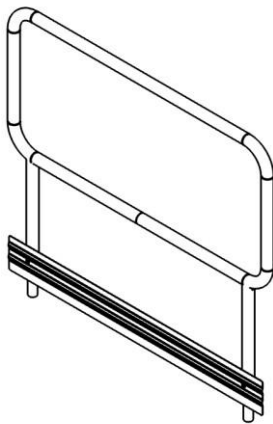
11,06 kg  
1.170x1.040x50 mm

SK5-B2 (P-SK5-BP1.1)



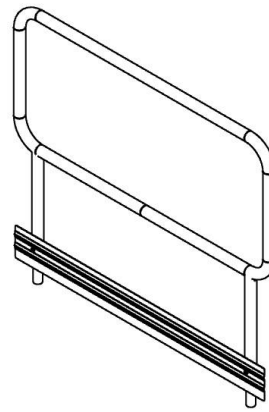
10,70 kg  
1.170x1.000x50 mm

SK5-B3 (P-SK5-BP1.2)



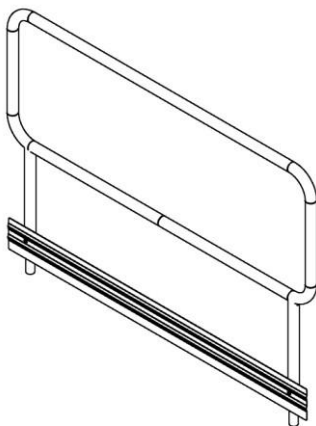
12,36 kg  
1.250x1.170x50 mm

SK5-B4 (P-SK5-BP1.28)



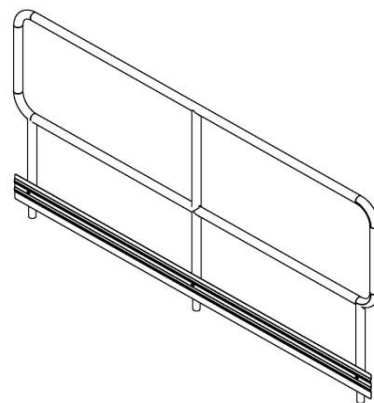
12,55 kg  
1.281x1.170x50 mm

SK5-B5 (P-SK5-BP1.69)



14,47 kg  
1.590x1.170x50 mm

SK5-B6 (P-SK5-BP2.4)



21,61 kg  
2.340x1.170x50 mm

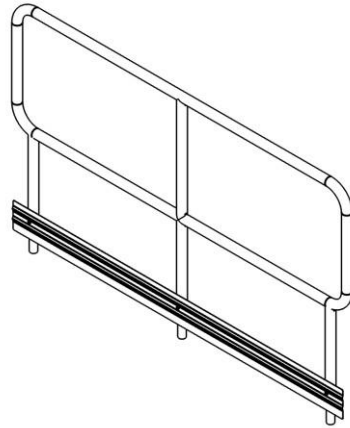


SK5-B14 (P-SK5-BP-0.25)



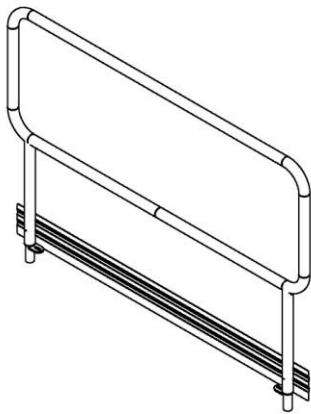
7,05 kg  
1.170x251x50 mm

SK5-B16



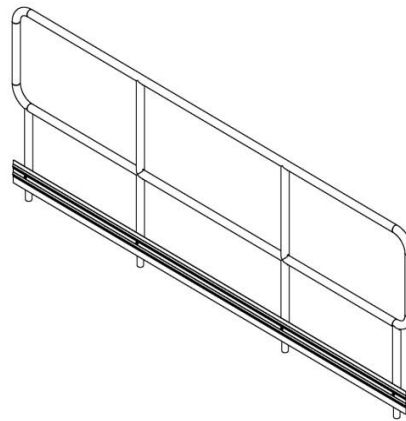
18,60 kg  
1.861x1.170x50 mm

SK5-B17



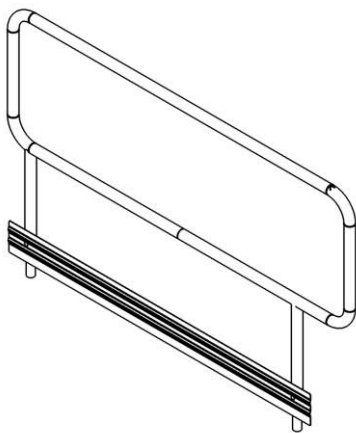
14,60 kg  
1.609x1.170x50 mm

SK5-B20



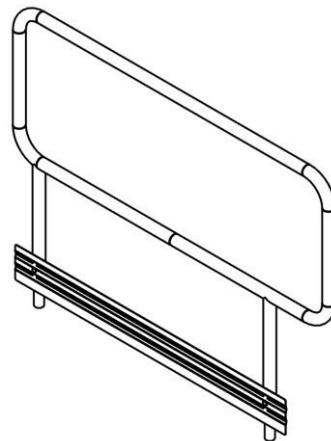
27,60 kg  
2.892x1.170x50 mm

SK6-B11



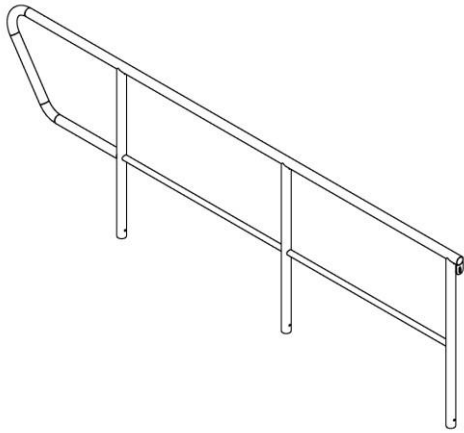
16,55 kg  
1.720x1.170x50 mm

SK6-B12



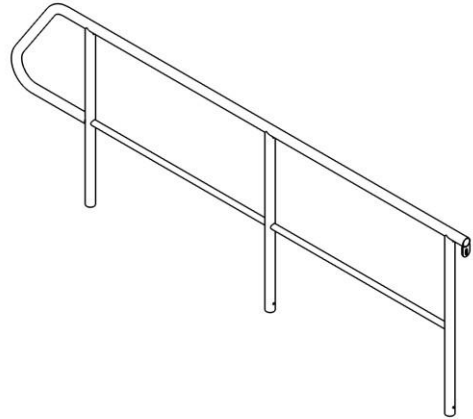
10,73 kg  
1.460x1.170x50 mm

SK5-BS1 (P-SK5-BS-1)



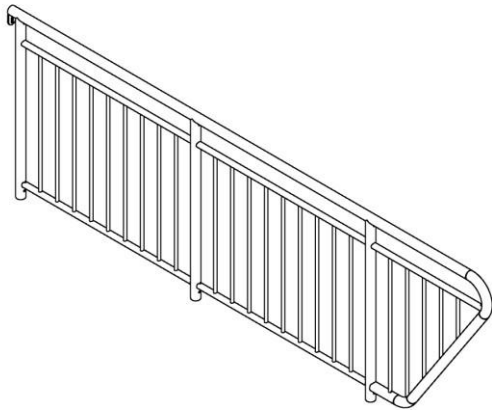
17,11 kg  
2.755x921x42 mm

SK5-BS2 (P-SK5-BS-2)



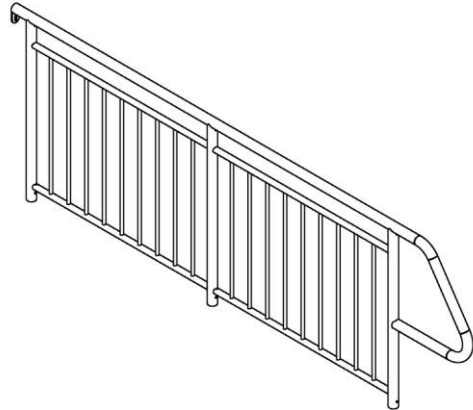
16,29 kg  
2.611x921x42 mm

SK5-BS3 (P-SK5-BS-B-1)



25,76 kg  
2.755x921x42 mm

SK5-BS4 (P-SK5-BS-B-2)



22,94 kg  
2.612x921x42 mm

SK6-B1 (P-SK6-BP1.1-B)



12,33 kg

1.000x1.175x42 mm

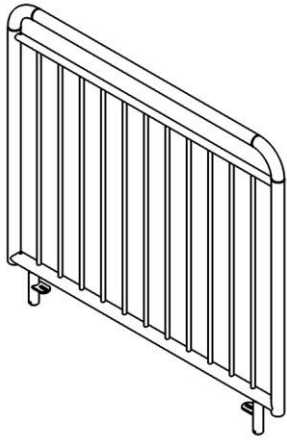
SK6-B2 (P-SK6-BP1.04-B)



14,85 kg

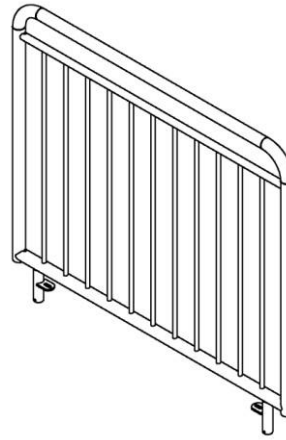
1.042x.1175x42 mm

SK6-B3 (P-SK6-BP1.25-B)



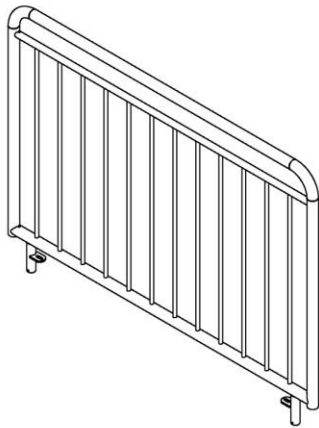
16,75 kg  
1.238x1.175x42 mm

SK6-B4 (P-SK6-BP1.28-B)



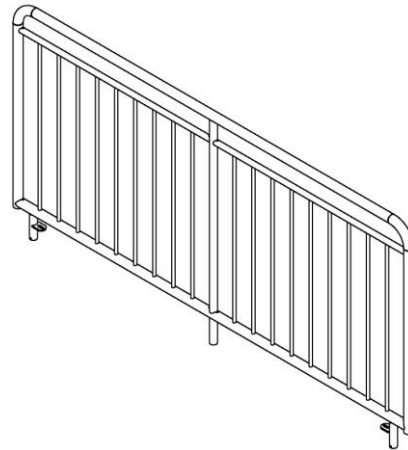
16,95 kg  
1.281x1.175x42 mm

SK6-B5 (P-SK6-BP1.69-B)



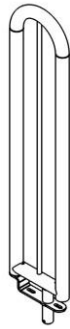
19,24 kg  
1.590x1.175x42 mm

SK6-B6 (P-SK6-BP2.4-B)



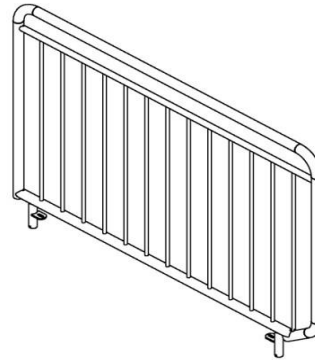
28,71 kg  
2.340x1.175x42 mm

SK6-B10 (SK6-BB4)



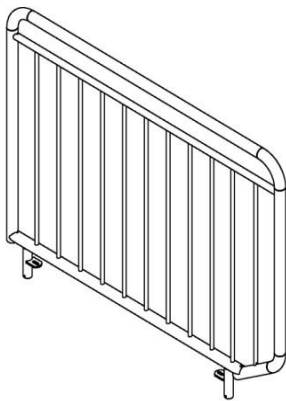
7,14 kg  
1.175x242x42 mm

SK6-B13



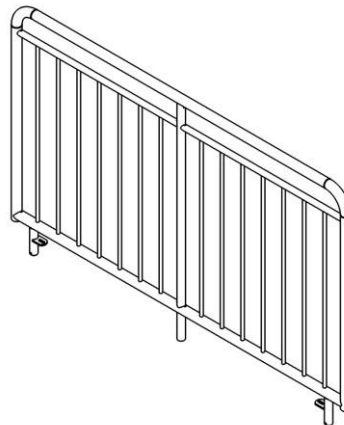
19,63 kg  
1.700x1.175x42 mm

SK6-B14



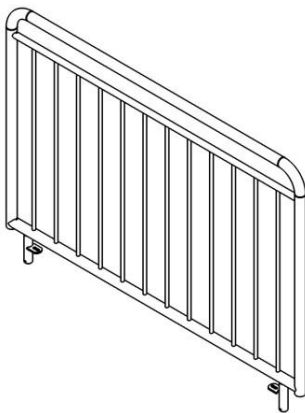
18,10 kg  
1.450x1.175x42 mm

SK6-B15



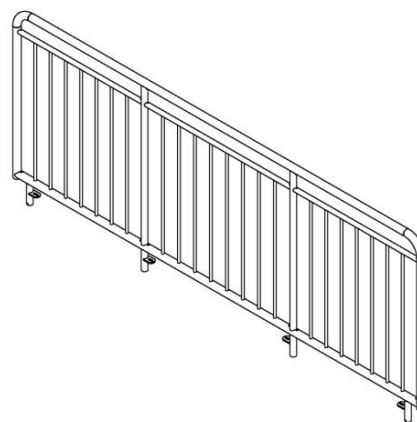
23,90 kg  
1.861x1.175x42 mm

SK6-B16



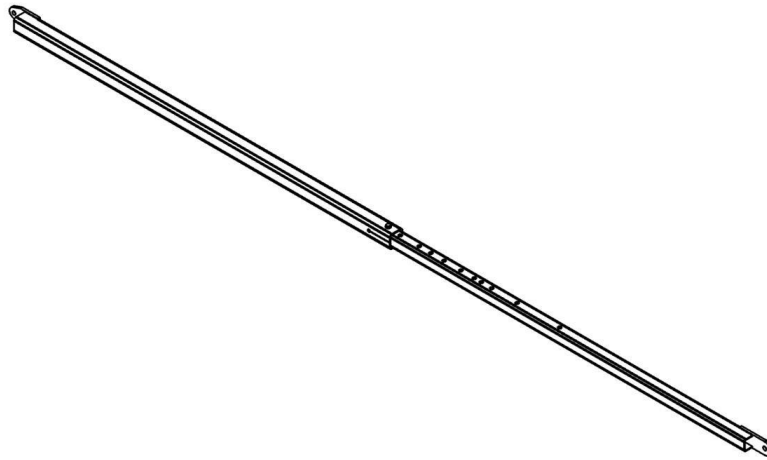
19,30 kg  
1.609x1.175x42 mm

SK6-B19



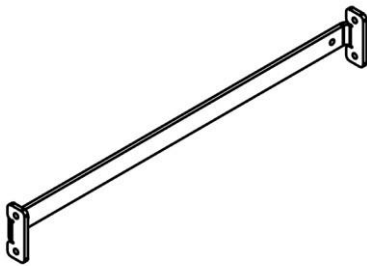
36,10 kg  
2.894x1.175x42 mm

SK6-X1 (P-SK6-X1)



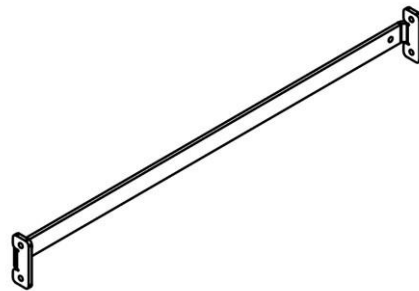
14,80 kg  
2.999x70x65 mm

SK6-O1 (P-SK6-O1)



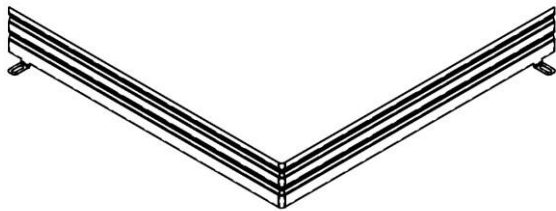
4,80 kg  
1.000x130x40 mm

SK6-O2 (P-SK6-O2)



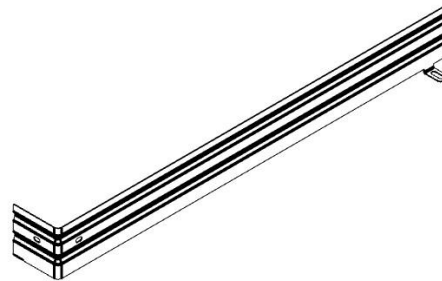
5,80 kg  
1.250x130x40 mm

SK6-K01



4,54 kg  
1.0450x1.045x150 mm

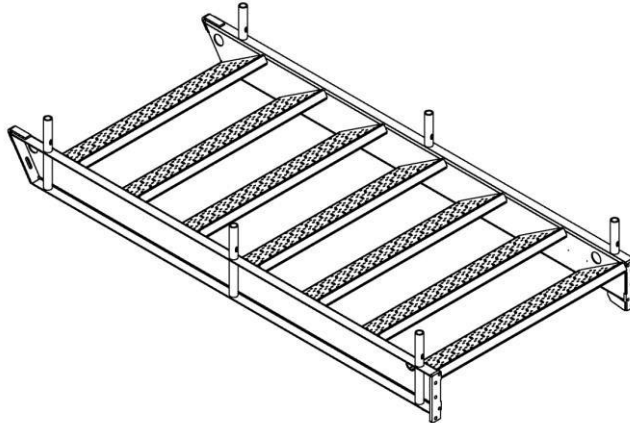
SK6-K03/SK6-K04



3,16 kg  
1.242x196x150 mm

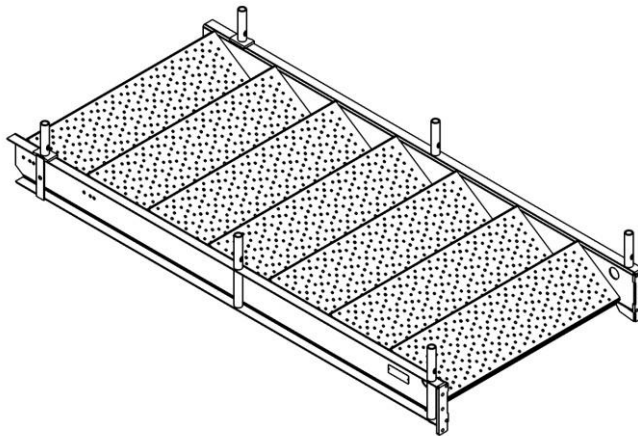


SK5-S1 (P-SK5-SB-FG1.1)



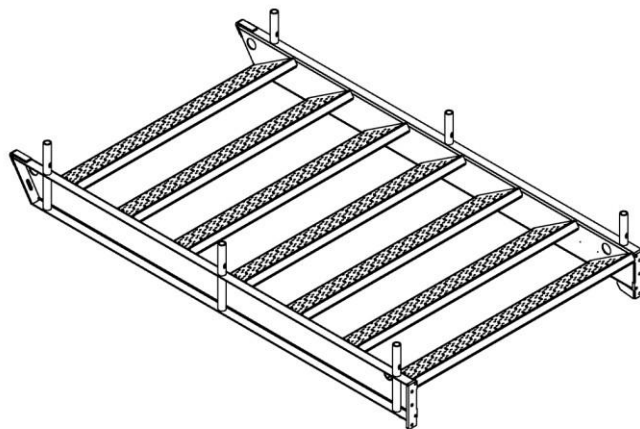
87,31 kg  
2.304x1.100x330 mm

SK5-S2 (P-SK5-SB-FD1.1)



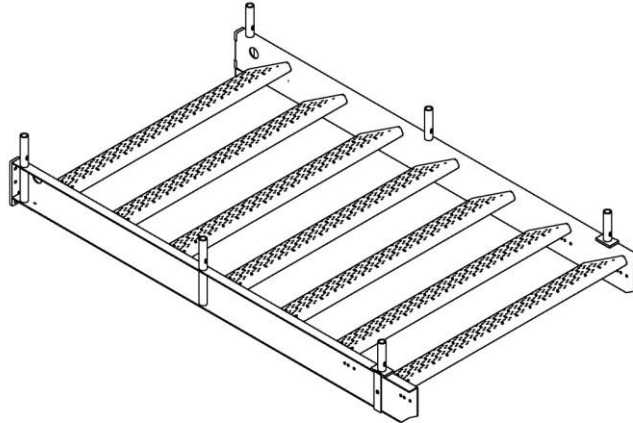
86,88 kg  
2.312x1.108x330 mm

SK5-S3 (P-SK5-SB-FG1.2)



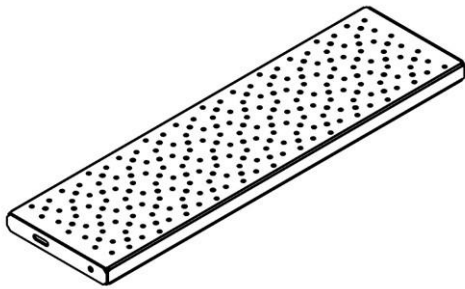
97,22 kg  
2.302x1.350x330 mm

SK5-S4 (P-SK5-SB-FD1.2)



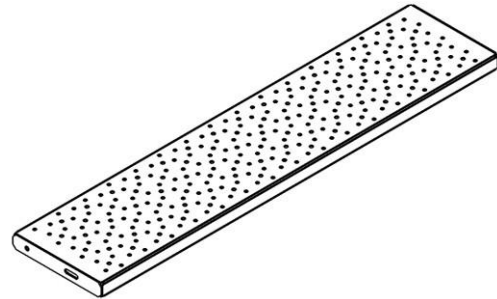
96,79 kg  
2.312x1.358x330 mm

SK5-ST1 (P-SK5-SB-E01)



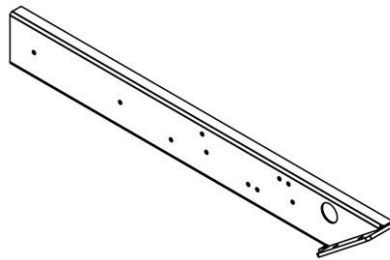
6,47 kg  
1.008x280x40 mm

SK5-ST2 (P-SK5-SB-E01-1.2)



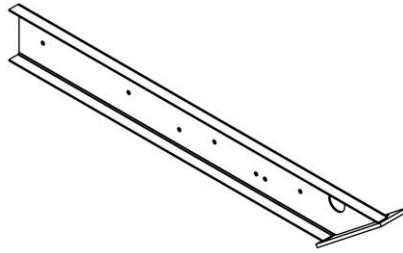
7,88 kg  
1.258x280x40 mm

SK5-Z1 (P-SK5-SB-FR1.1/B)



11,50 kg  
1.405x168x100 mm

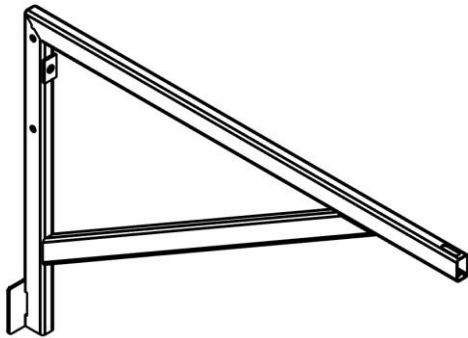
SK5-Z2 (P-SK5-SB-FR1.1/A)



11,50 kg

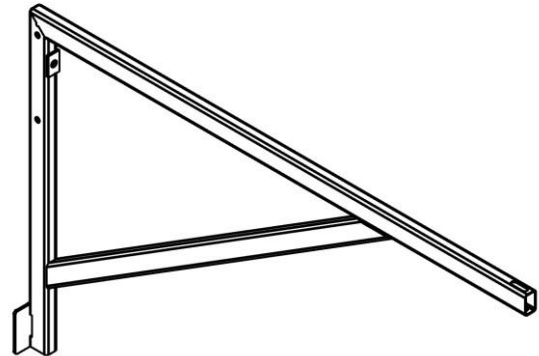
1.405x168x100 mm

SK5-W1 (P-SK5-WT1.1)



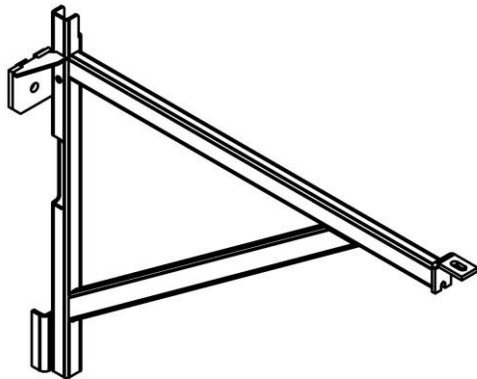
9,15 kg  
1.105x695x110 mm

SK5-W2 (P-SK5-WT1.2)



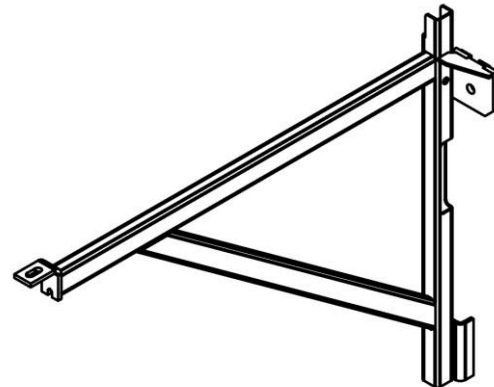
10,74 kg  
1.355x795x110 mm

SK5-W3 (P-SK5-WT-1.1-ML)



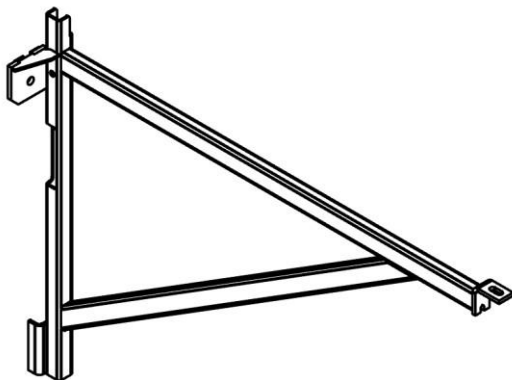
9,81 kg  
1.041x720x140 mm

SK5-W4 (P-SK5-WT-1.1-MP)



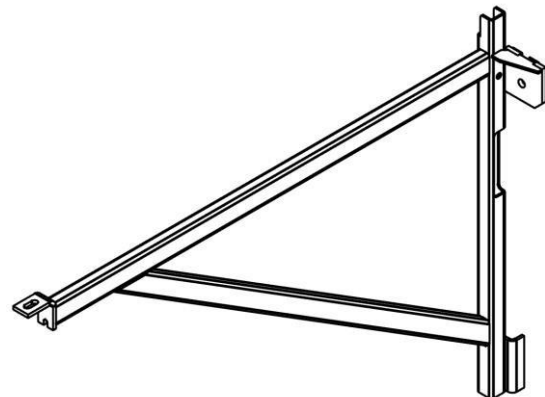
9,82 kg  
1.041x720x140 mm

SK5-W5 (P-SK5-WT-1.2-ML)



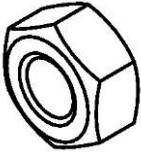
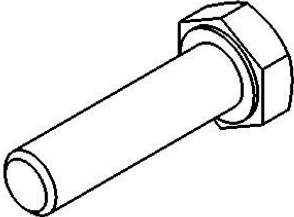
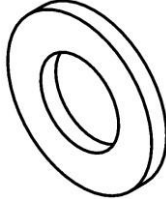

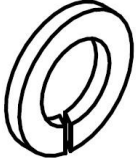
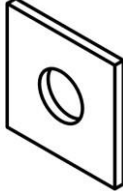
12,71 kg  
1.291x820x140 mm

SK5-W6 (P-SK5-WT-1.2-MP)



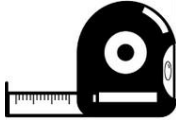



12,71 kg  
1.291x820x140 mm

## Fastening materials

 <p>M14 M12 M10 M8 M6</p>	 <p>M10x140      M12x50 M10x130      M8x40 M10x120      M6x60 M10x90 M10x60 M10x30</p>	 <p>W14 W12 W10 W8</p>
 <p>EW 12</p>	 <p>WS12 WS8</p>	 <p>SW 14</p>

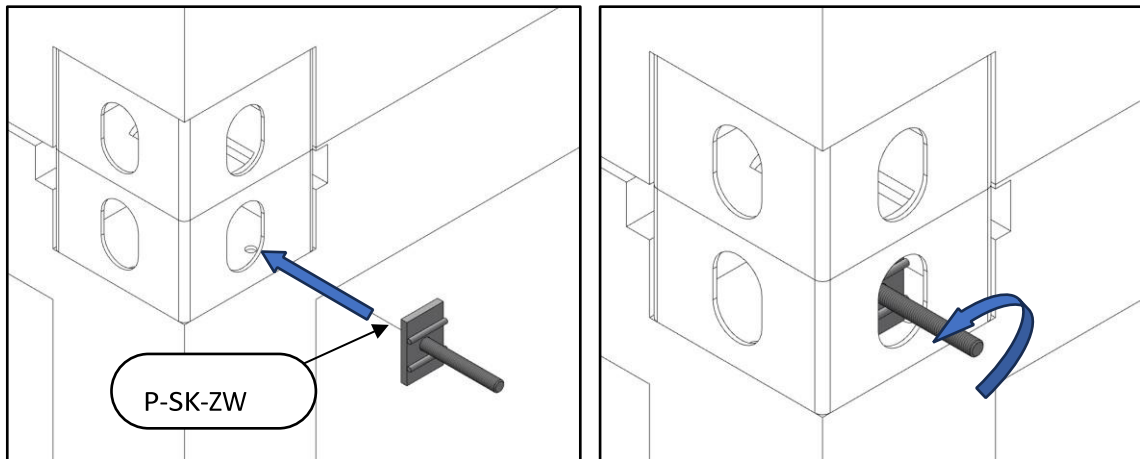
# Tools

	<p>Wrenches: 10, 13, 16, 17, 18, 19, 22</p>
	<p>Level</p>
	<p>Tape measure</p>
	<p>Lifter with a lifting capacity of min. 1t</p>

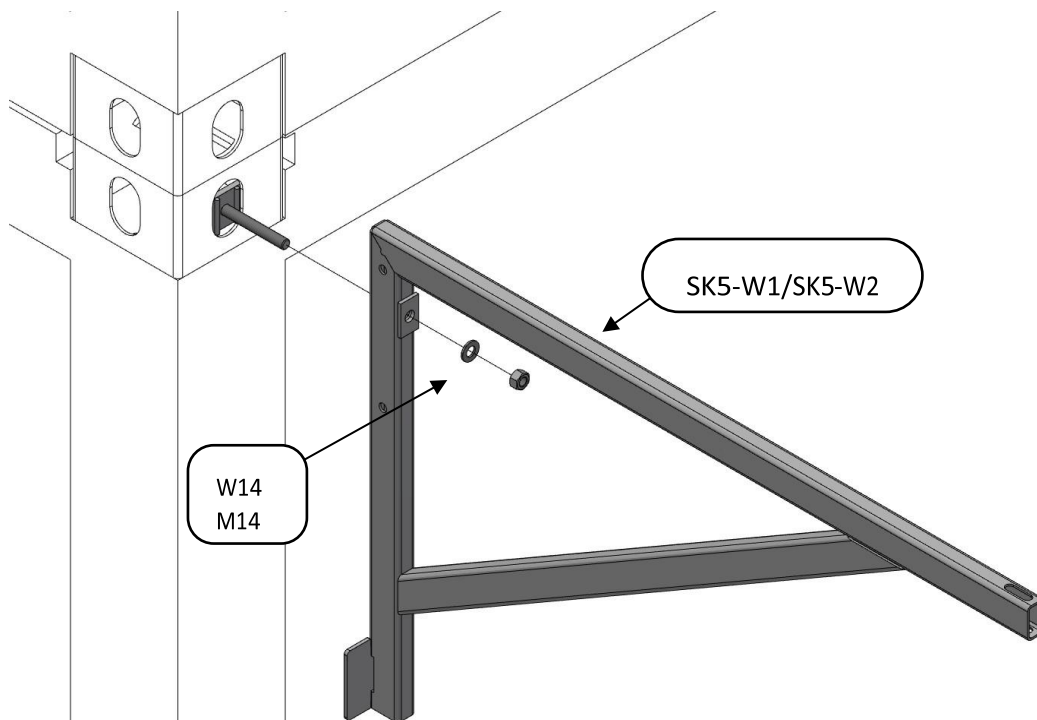


# Assembly

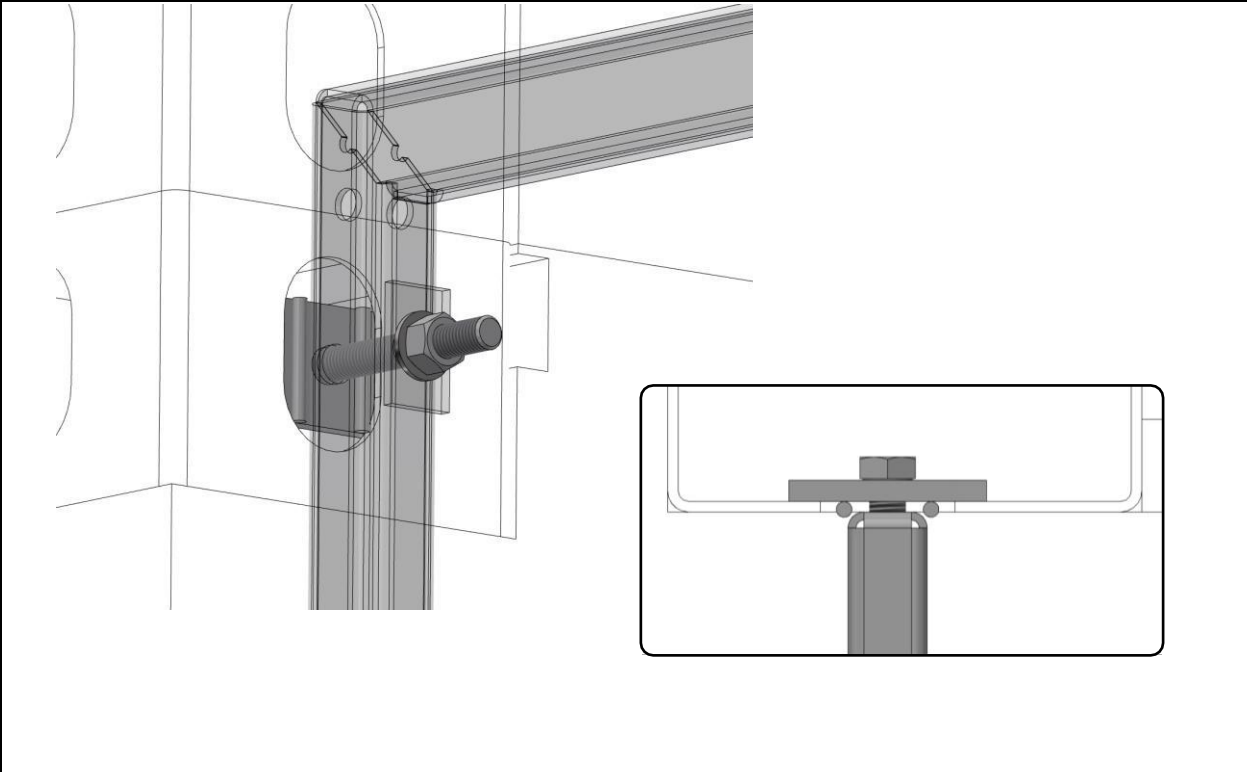
Support clamp should be inserted into the container socket and then rotated 90°.



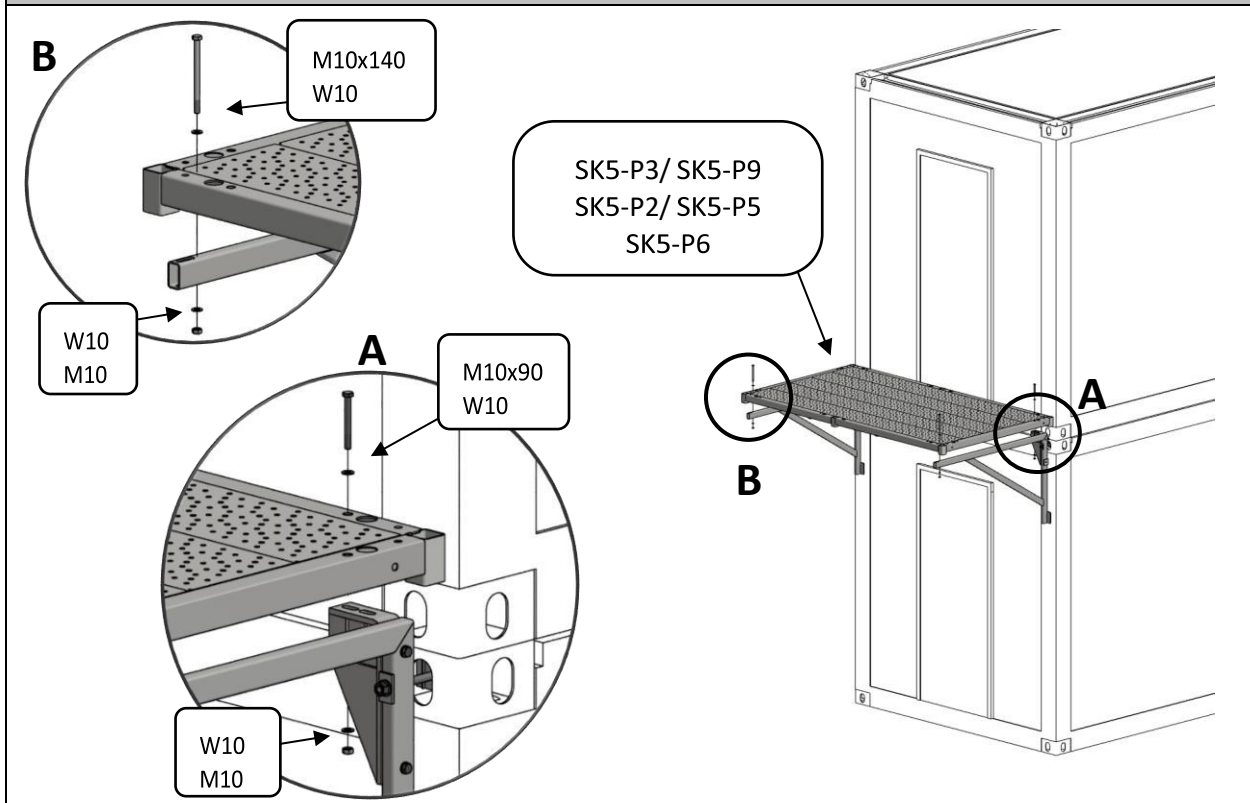
Slide the support on screw and secure it with the washer and nut set.



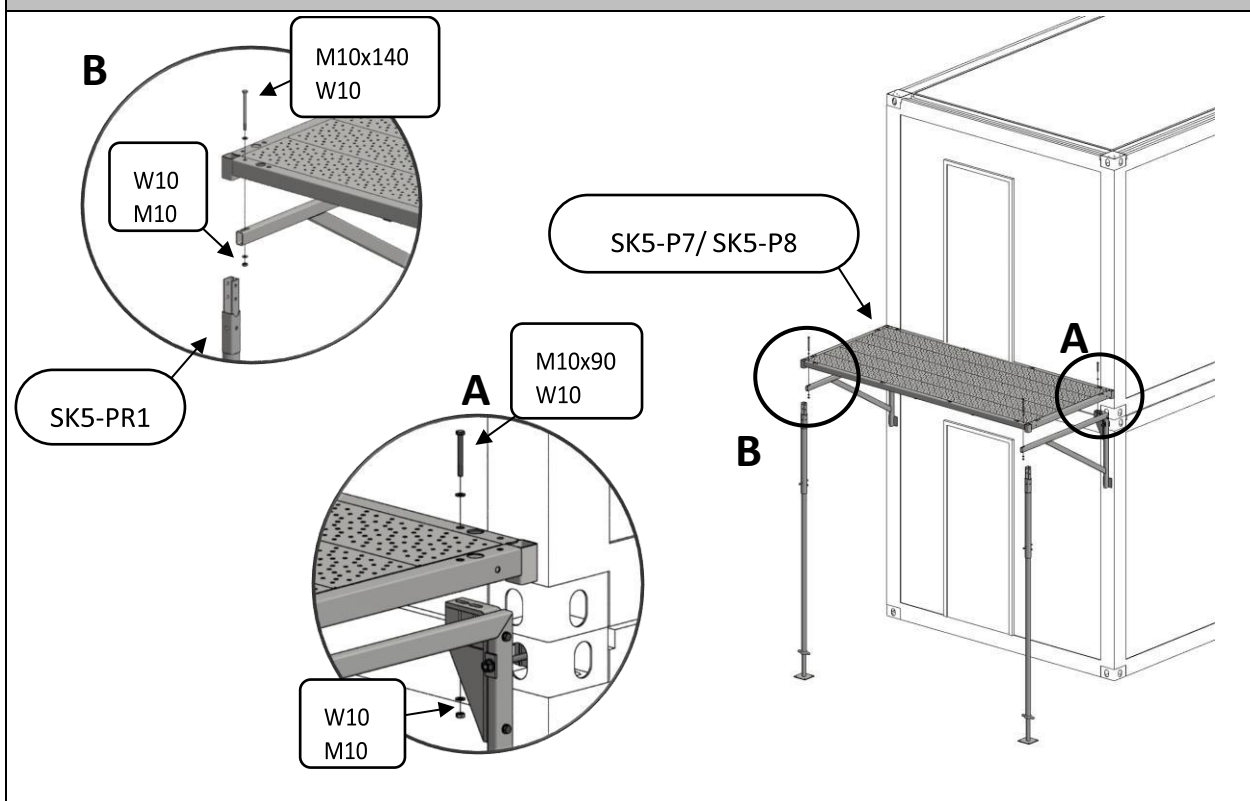
View after correct assembly.



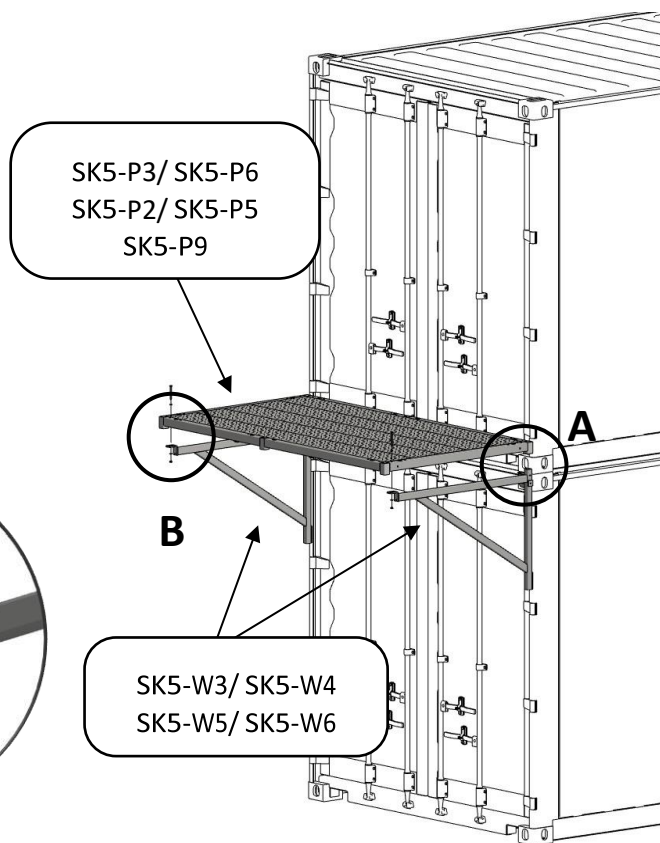
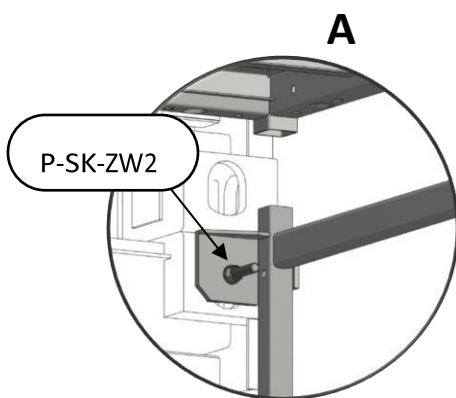
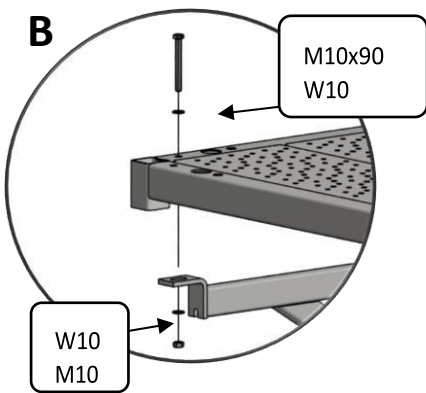
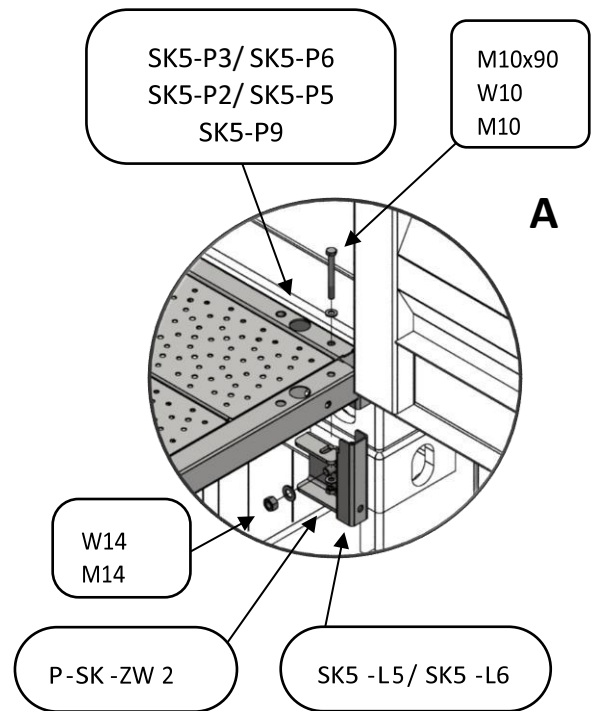
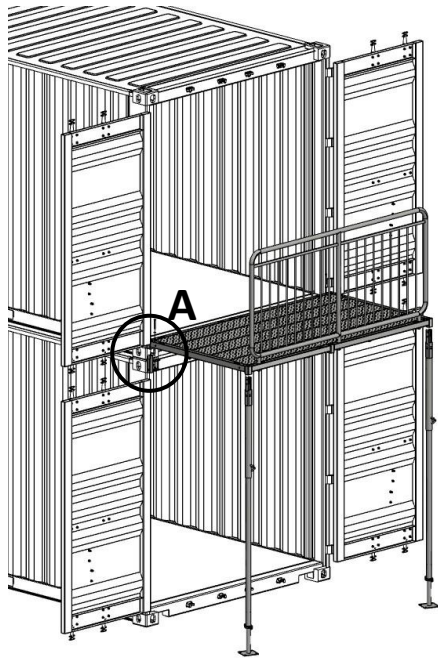
The platforms are assembled on supports and posts, and then screwed together with a set of a bolt, washer and nut.



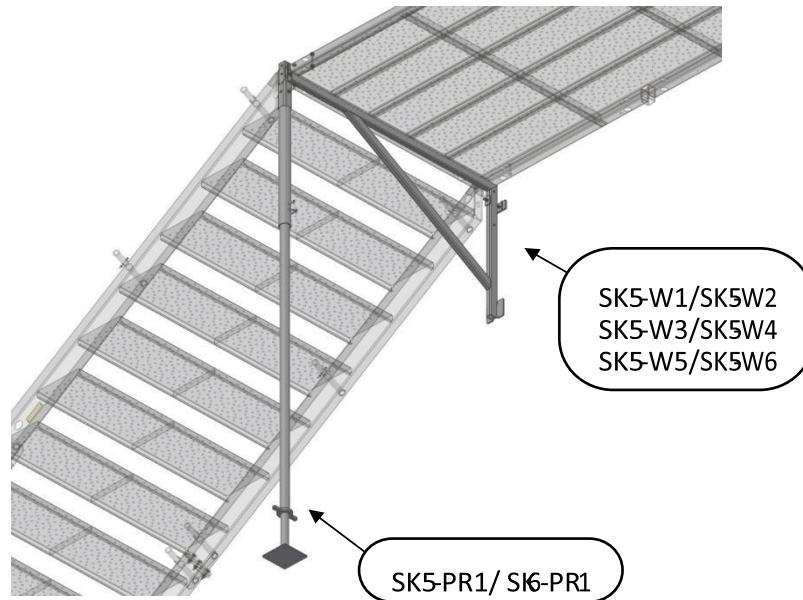
The 3m long platform should be additionally supported with posts.



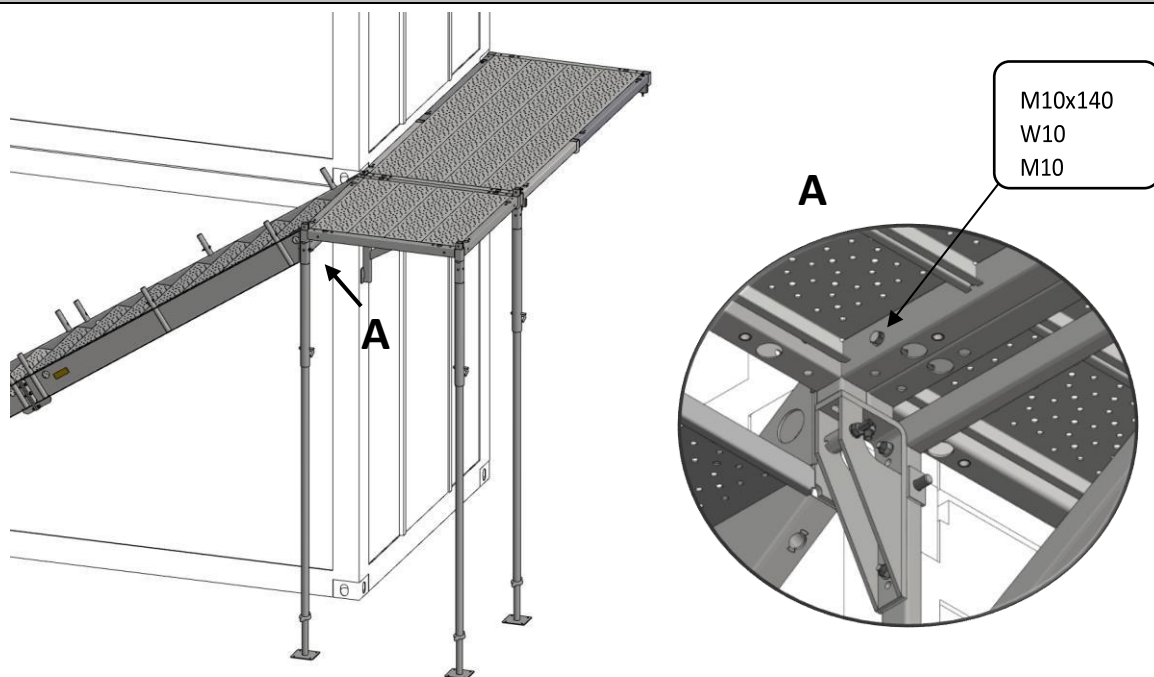
For sea containers, the SK5-L5 (left) and SK5-L6 (right) consoles are an alternative to supports.



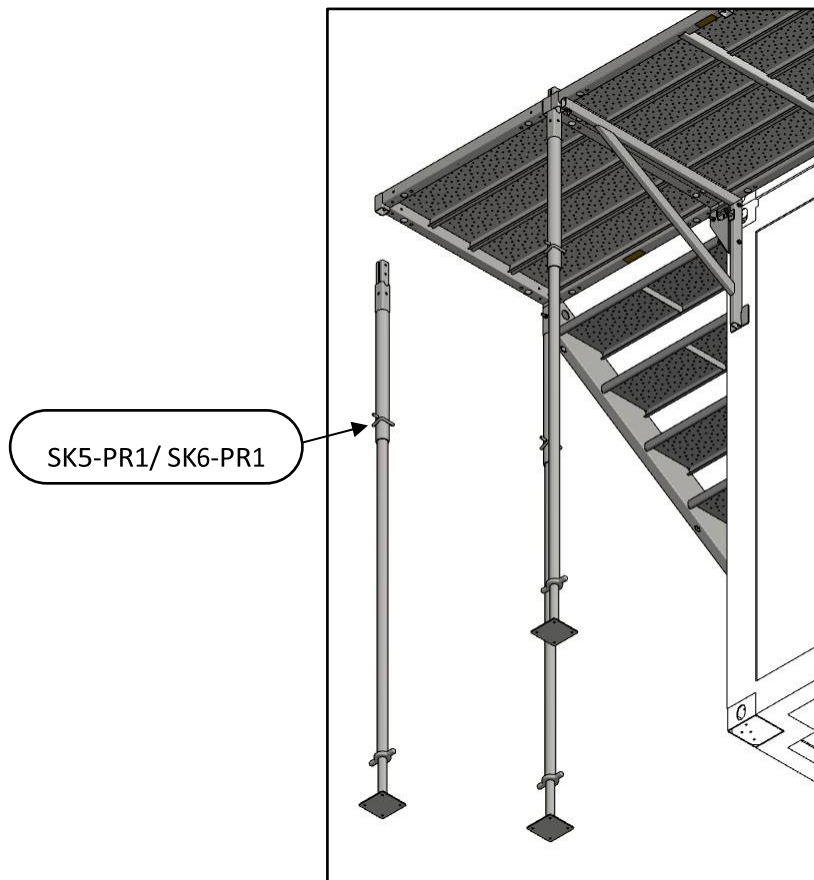
In the case where stairs are assembled to the platform on this side, the platform should be supported by two posts or a bracket and a post, and in the case of wider platform, two posts and a bracket.



If it is not possible to assemble the platform on the supports, it should be supported at least in three sockets with posts and screwed to the adjacent platform which is assembled on the supports. The adjacent platforms should be screwed together with the set of washer PK, bolt, washers, nut.



The posts should be placed in the platform sockets.



In order to adjust the platform to the height of the container, the SK5-PR1/PR2 posts have three adjustment positions in the upper part. In case of uneven ground, the PR1 post can be additionally adjusted using an adjustable foot.

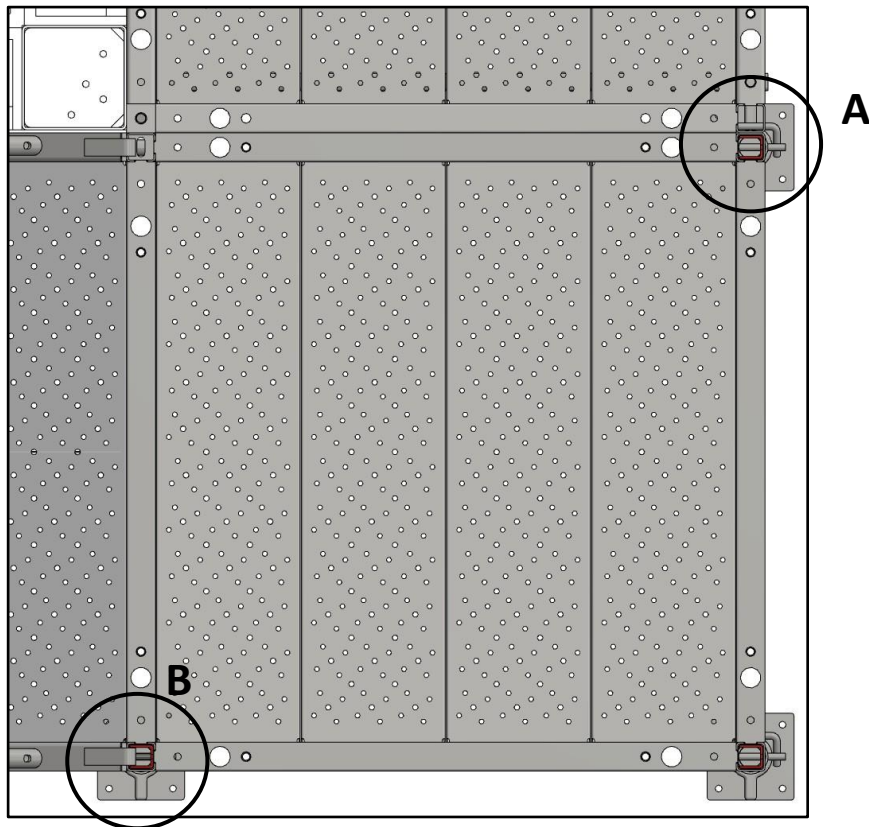
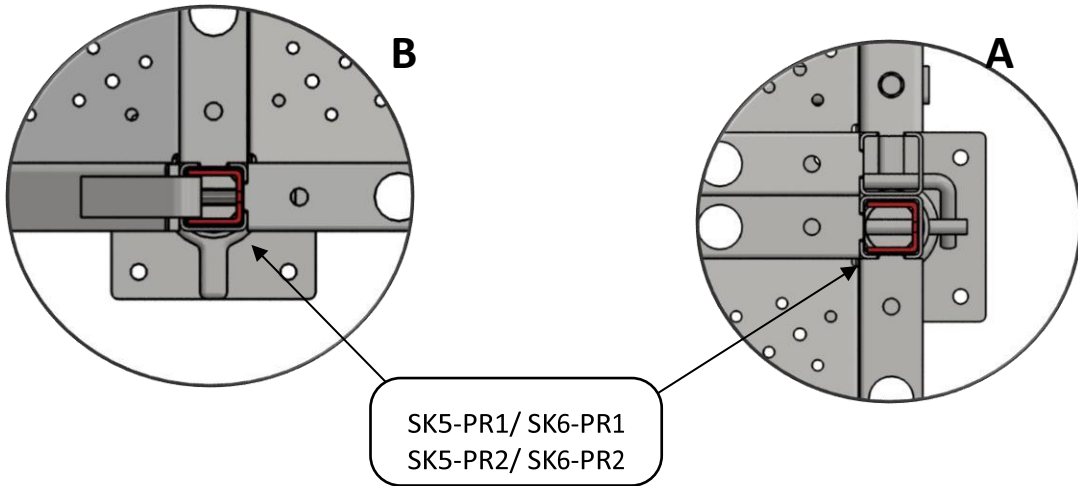


The height of the PR1 / PR2 post should be adjusted to the height of the container to which the stairs are assembled. To do this, disassemble the pins, adjust the height, and insert the pins in the appropriate holes.



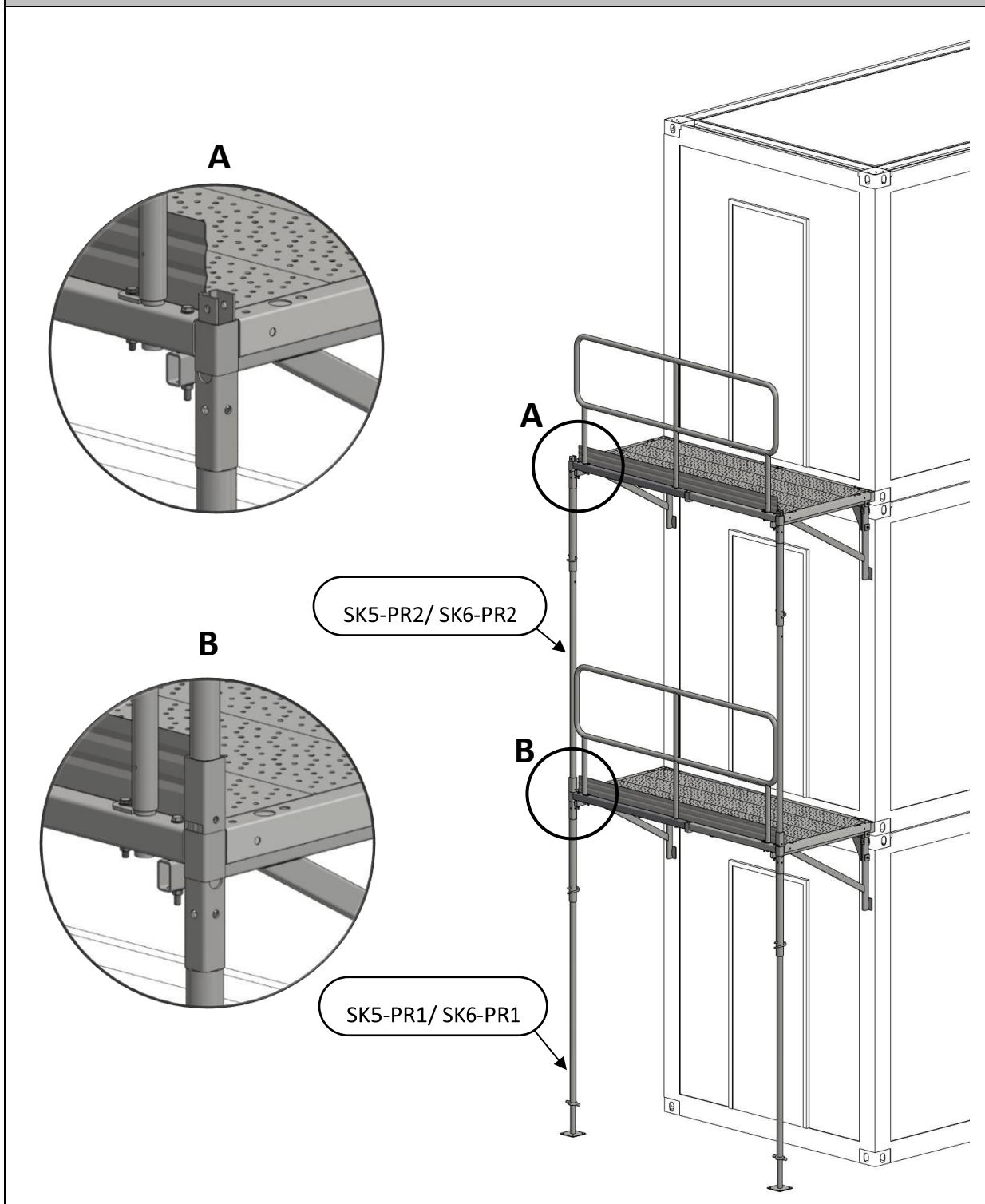


The posts that are assembled on the stairs should be placed so that the cut in the spindle of the post points towards the hook of the stairs.

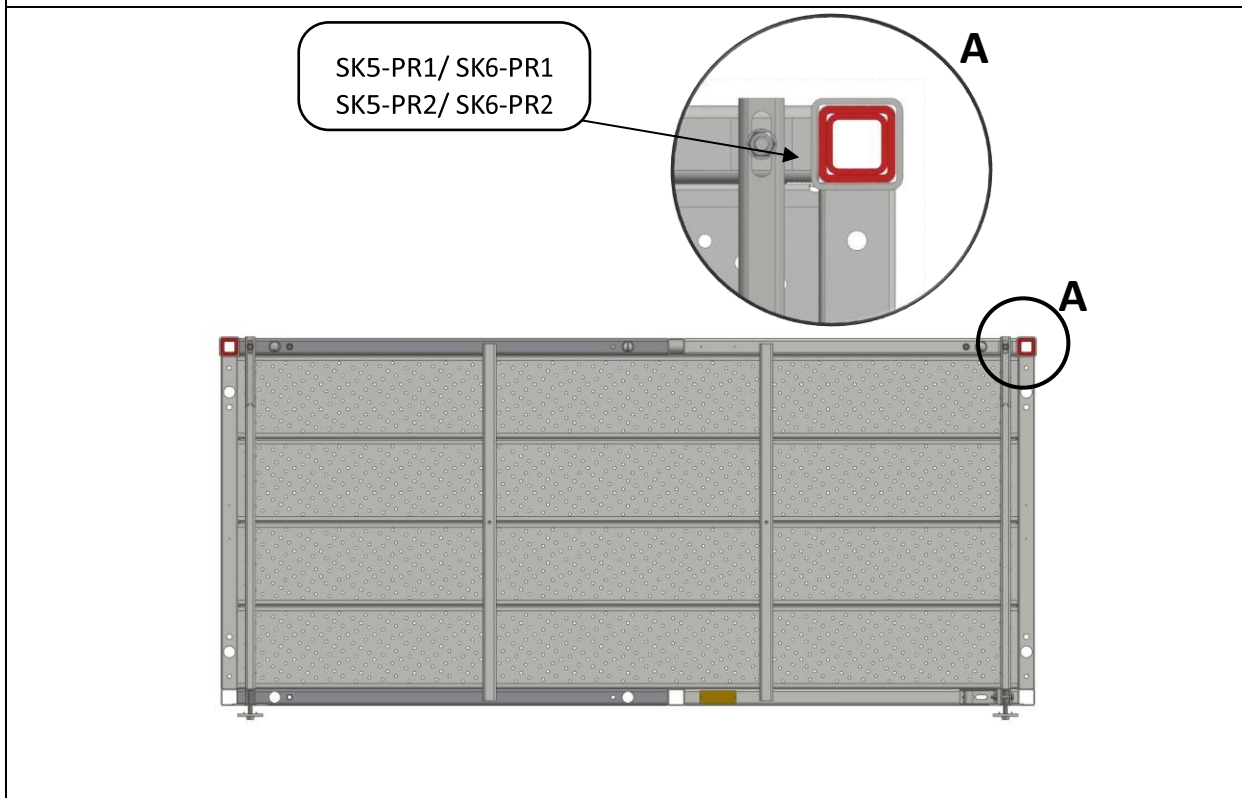
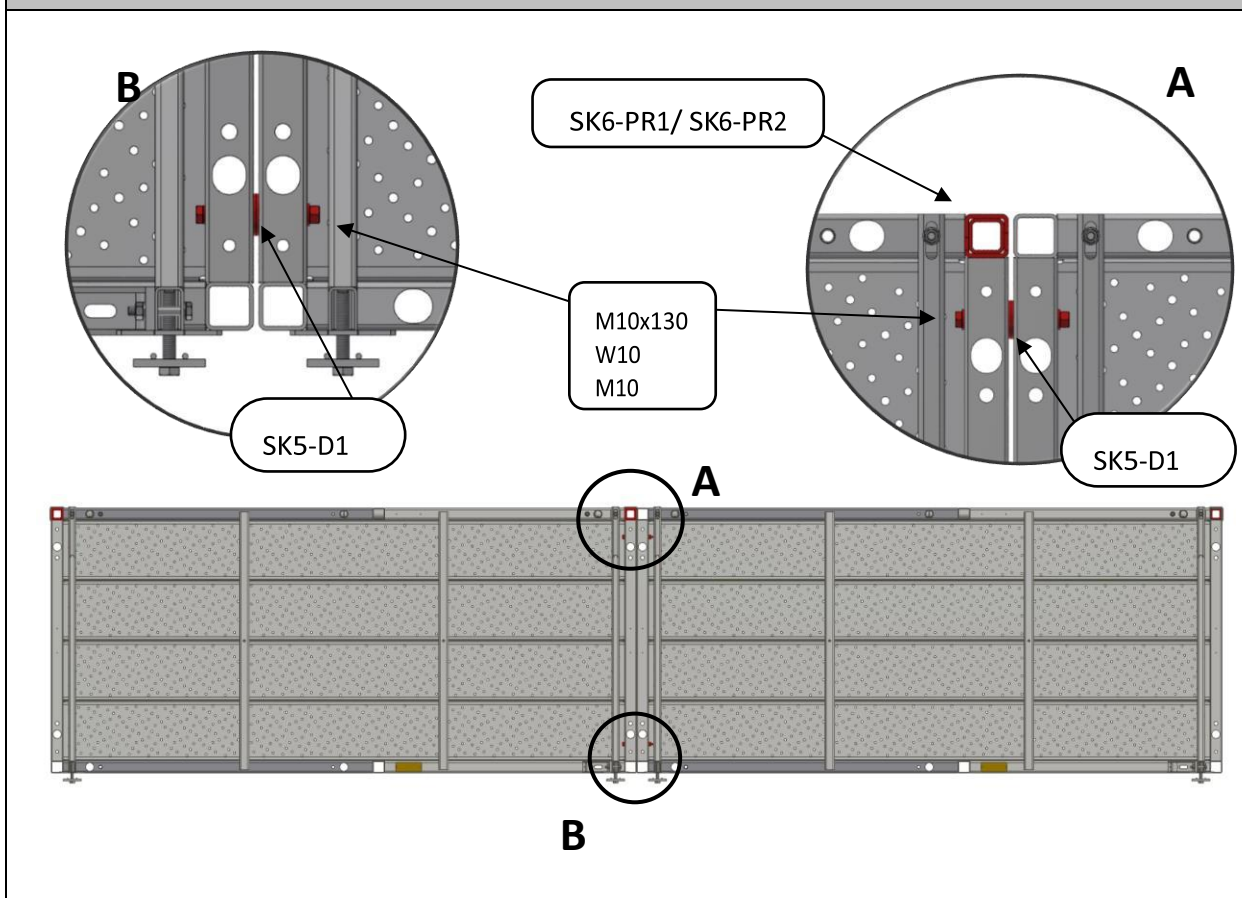




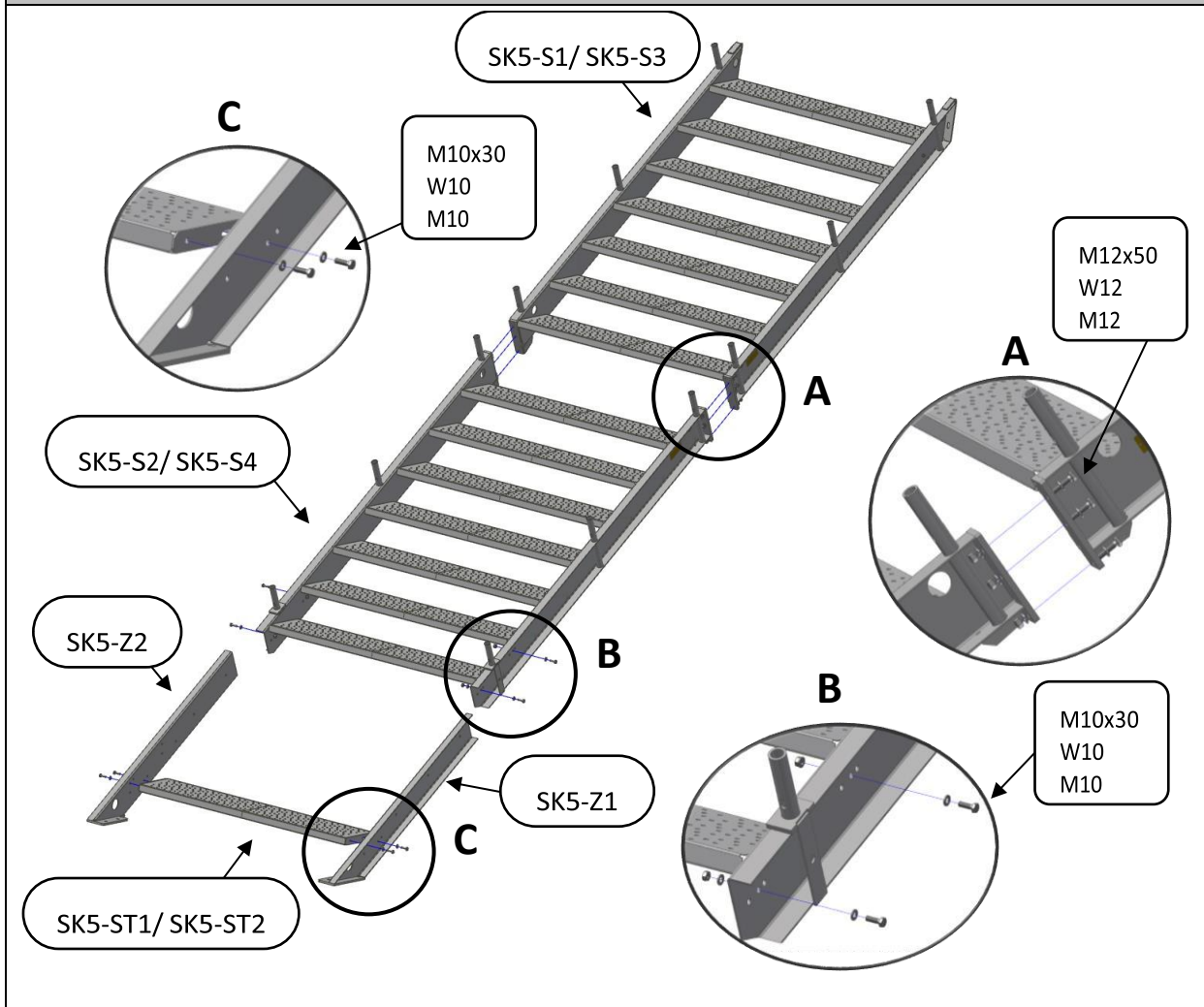
In the case of a multi-storey setting of container stairs, the platforms should be supported with posts from the ground level to the last platform.



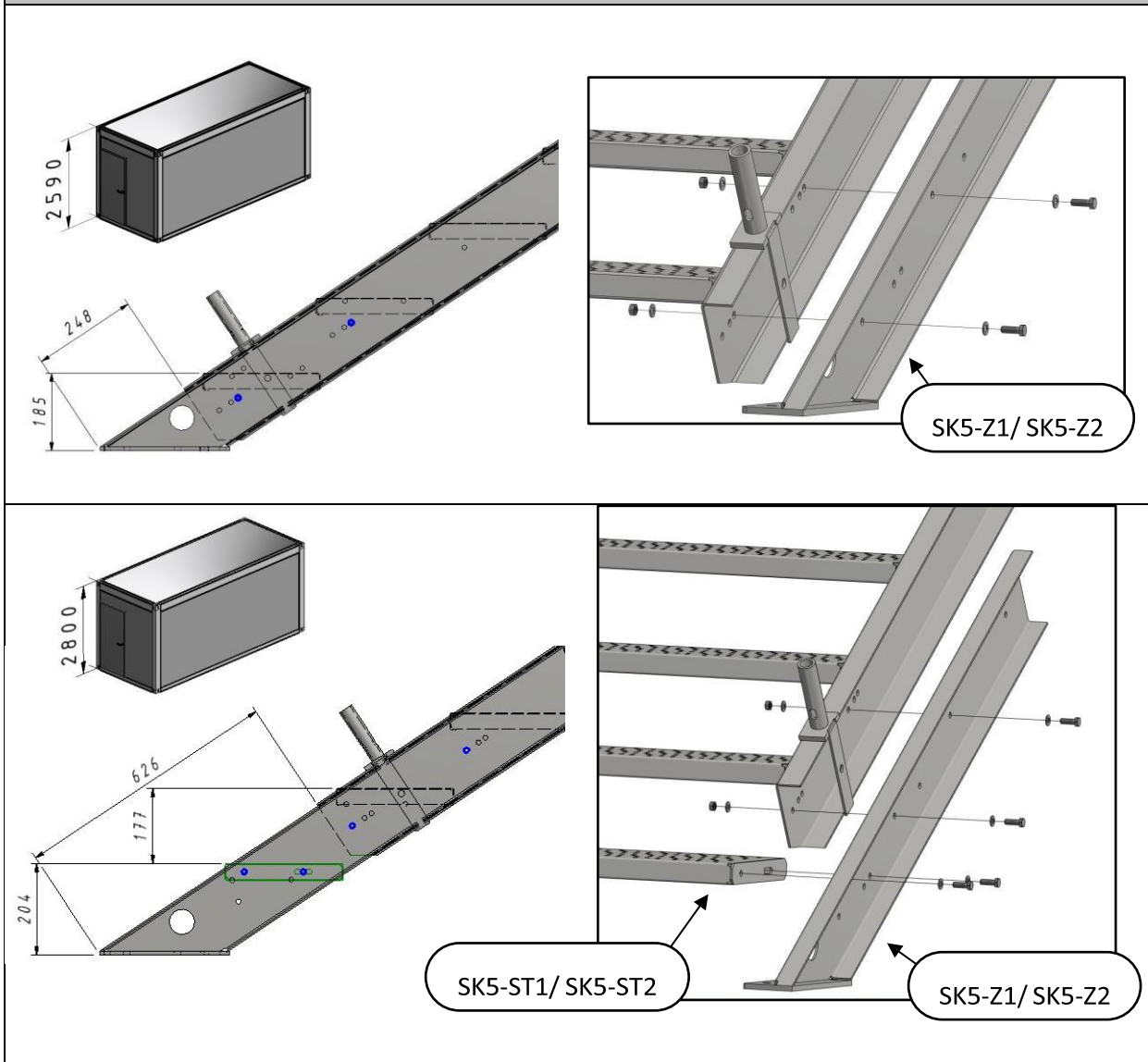
Columns for platforms put together. Additionally, platforms should be connected with two M10x130 screws. In the case of a row of containers, use one or two SK5-D1 washers between this connection.

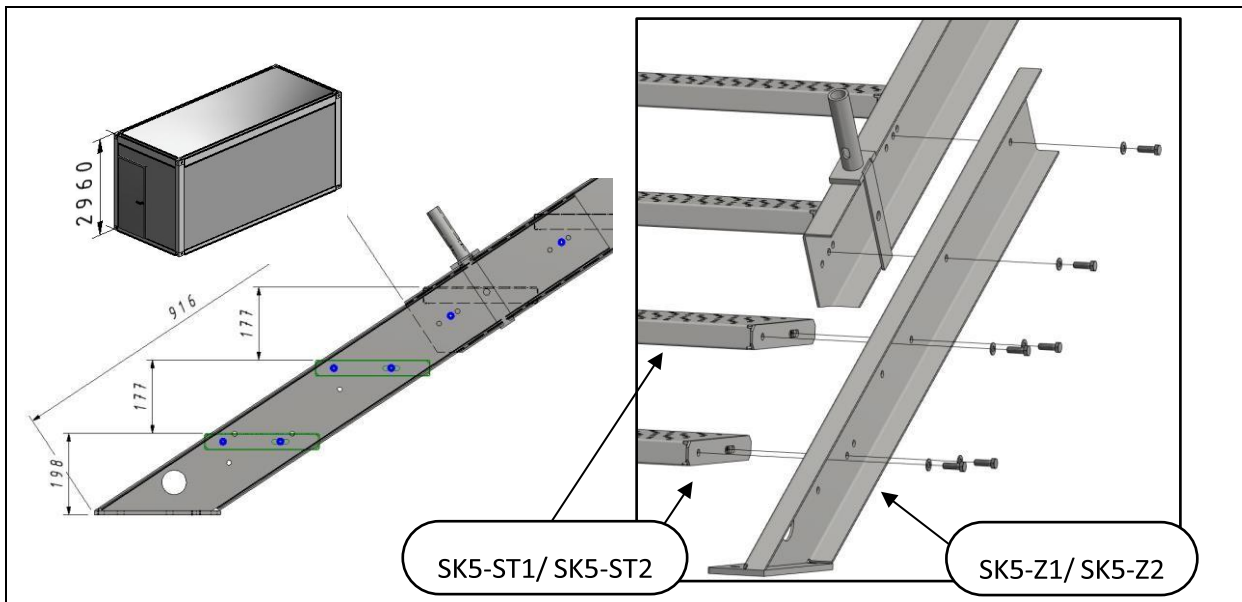


Scheme of the assembly of the stairs. The assembly of SK6-Z1 and SK6-Z2 elements depends on the height of the containers.

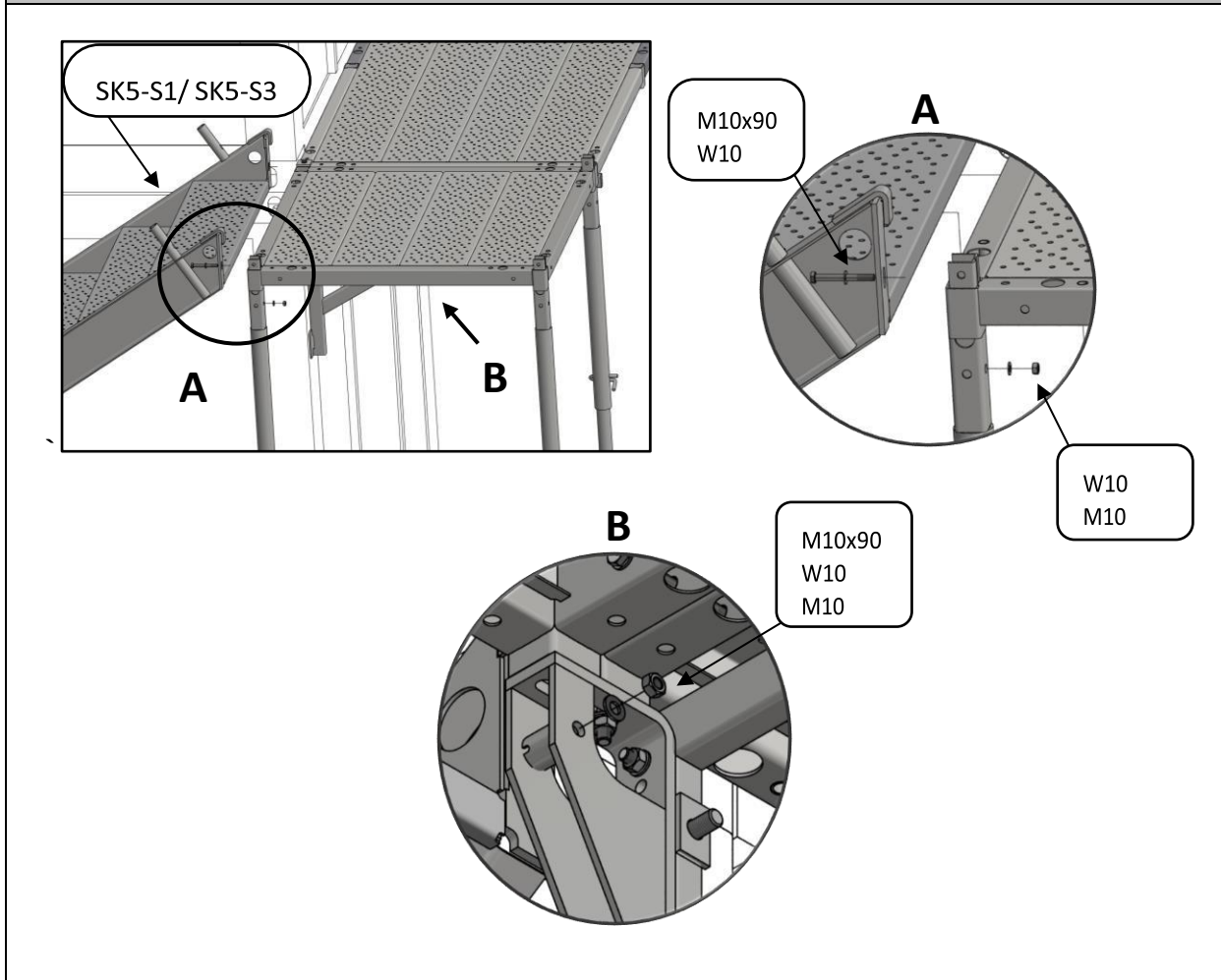


The height of the stairs should be adjusted to the height of the container as presented below.



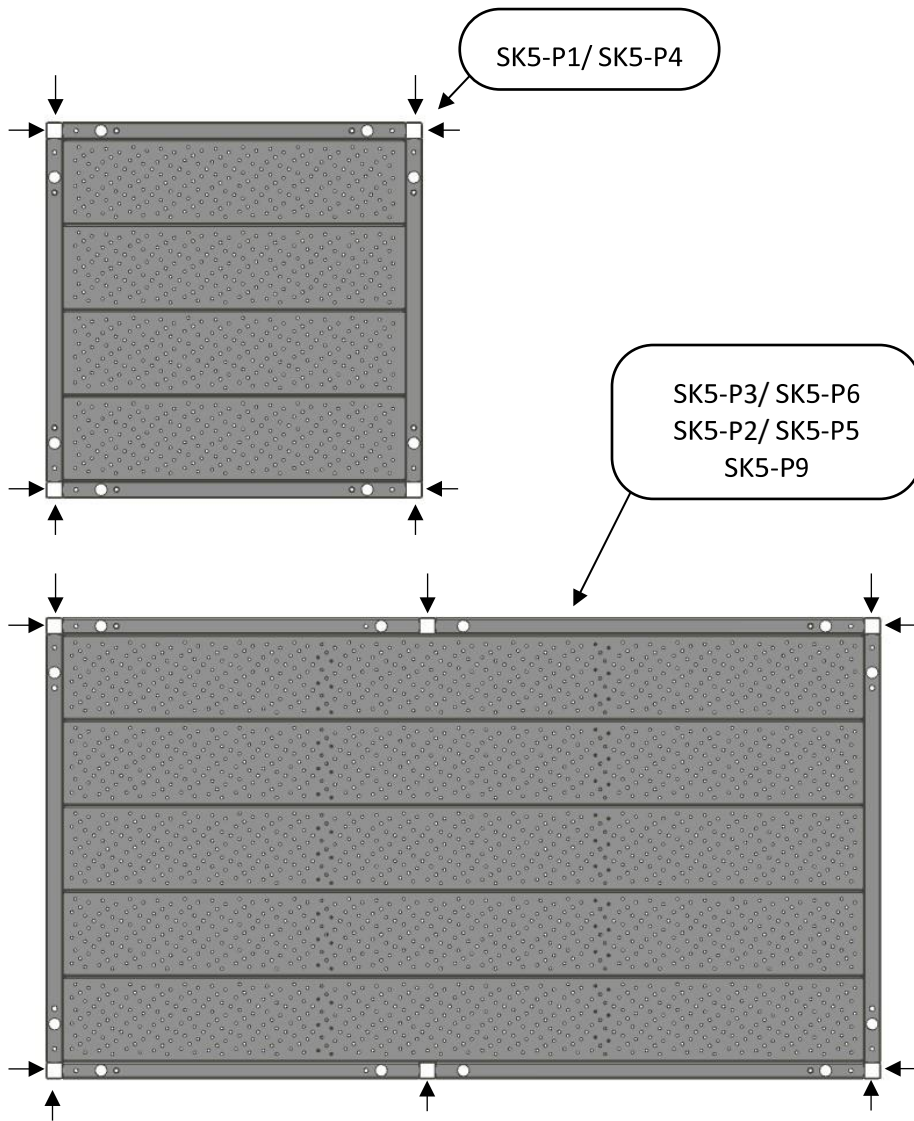


The stairs have hooks that facilitate assembly, they should be hung on the platform sockets and then screwed with a set of bolts, washers, nuts.

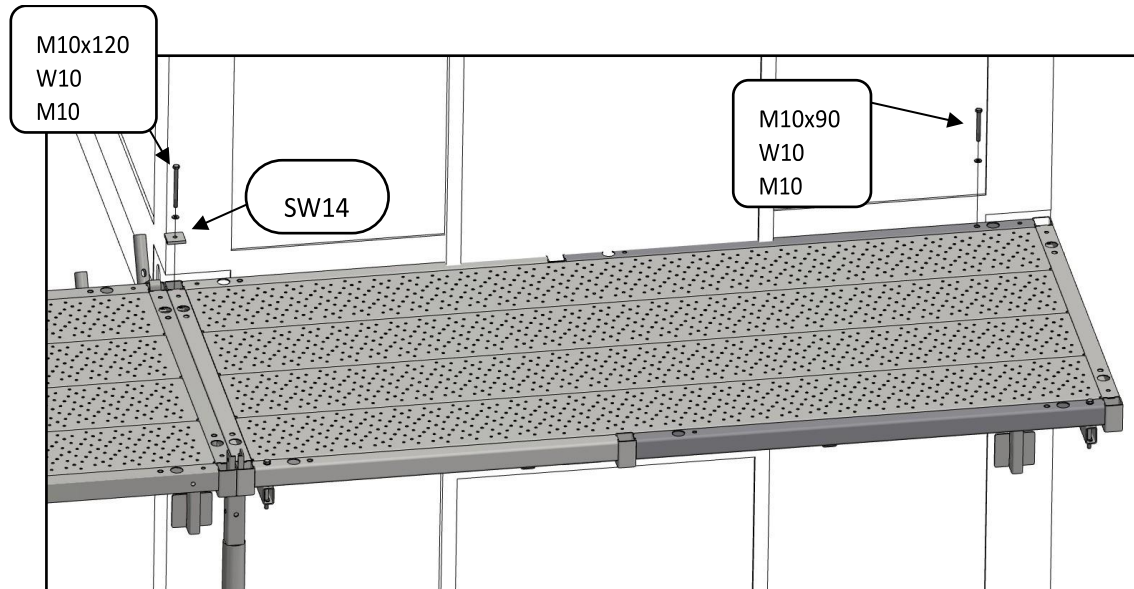
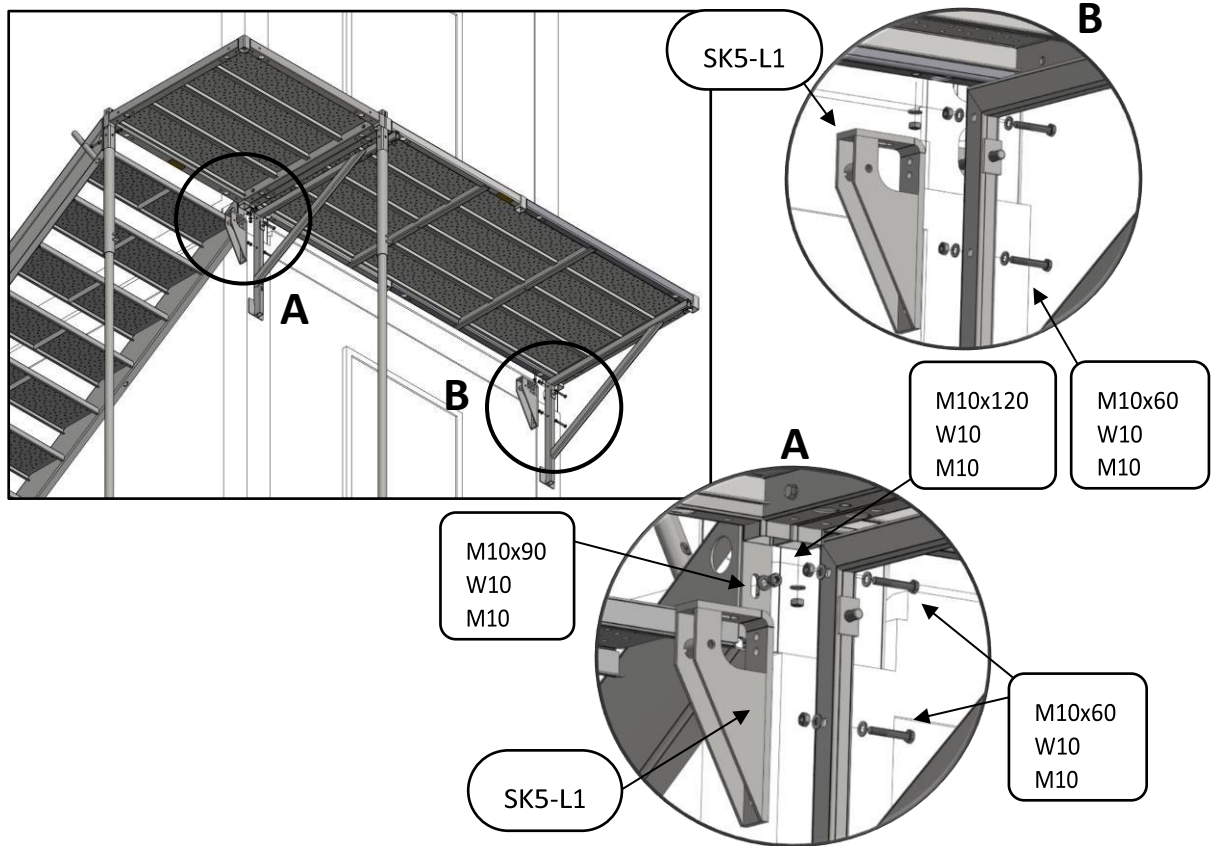




For the 1100x1100 and 1200x1200 platforms, the stairs can be assembled on four sides, depending on the needs. For platforms with a length of 2440 and 1690, the stairs should be assembled on the short edge or in the sockets on the long edges.



LP Connector (SK5-L1).

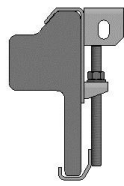




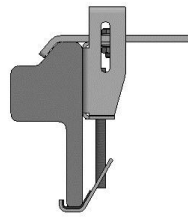
**Connector L2,L3,L11,L12,L16**

The L2/L3/L11/L12/L16 connector is assembled on the container cornice and screwed to the structure of the container stairs, it prevents the platform from moving away from the container when the platform is assembled on one support and two posts along the container.

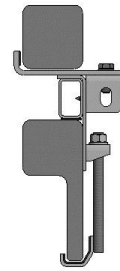
**L2, L3, L12, L16**



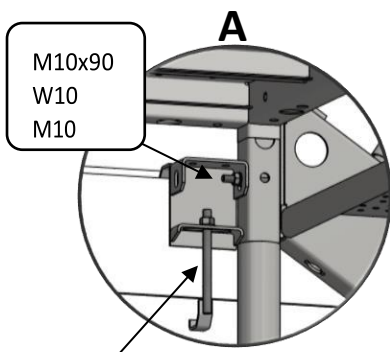
**L2**



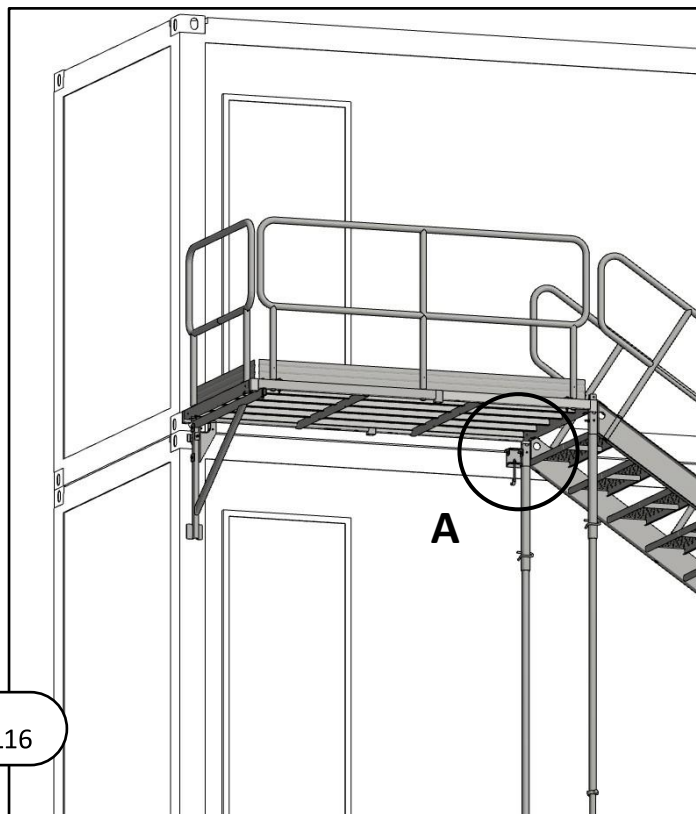
**L16/L11**



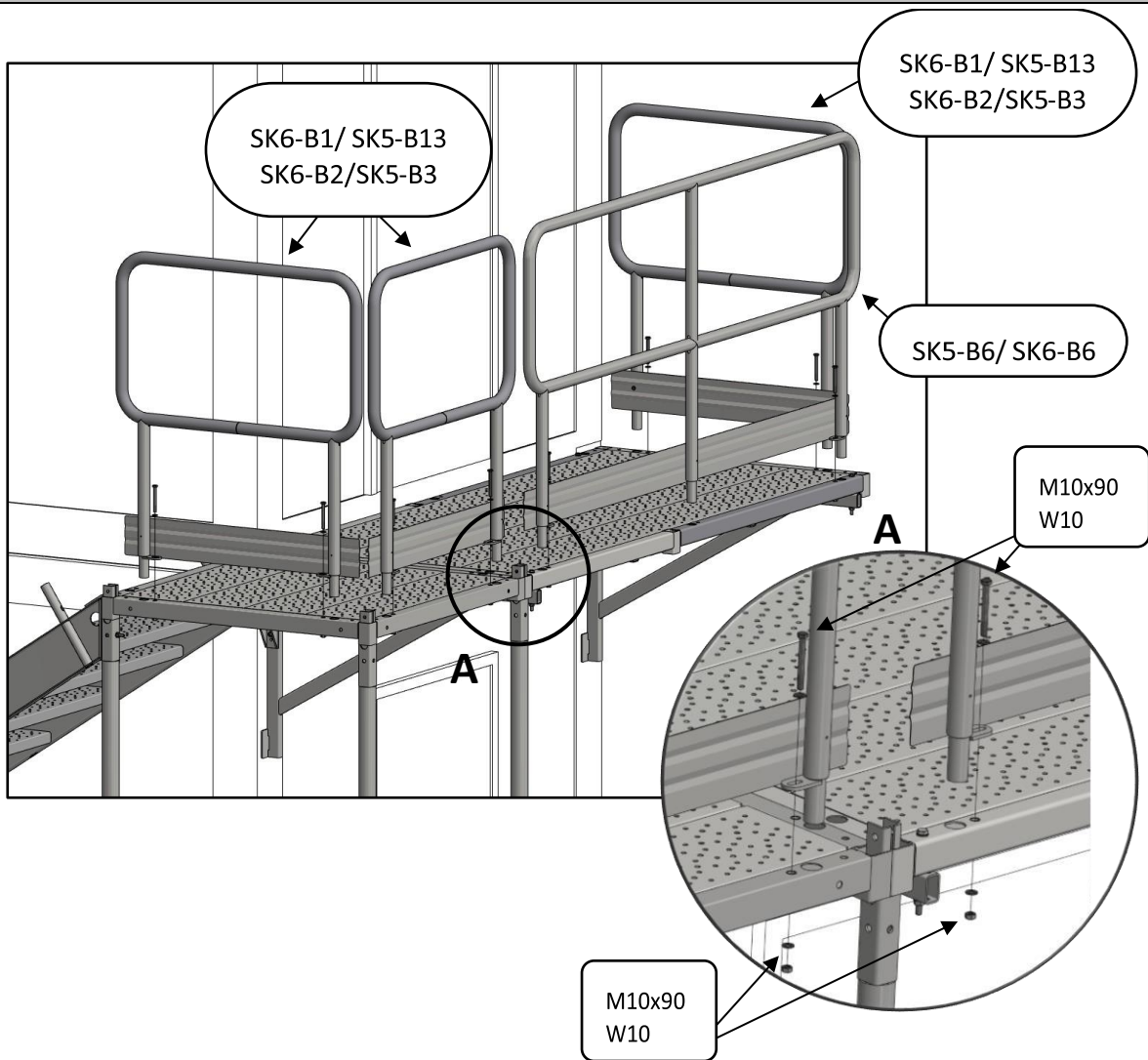
**L3 / L12**



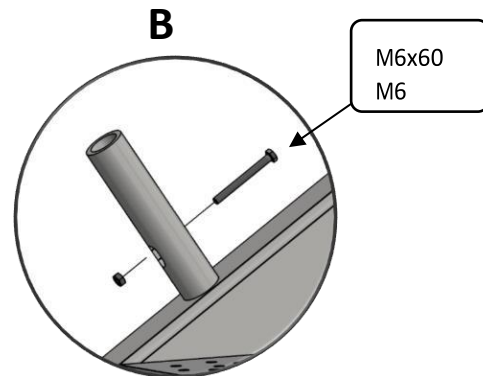
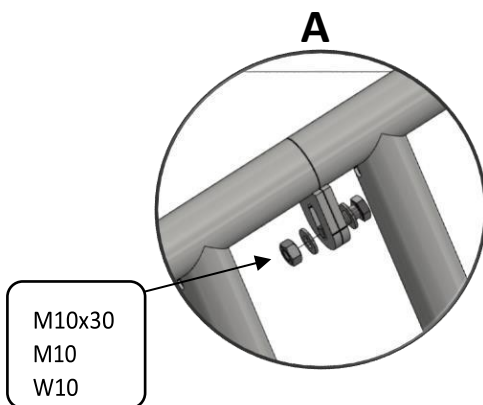
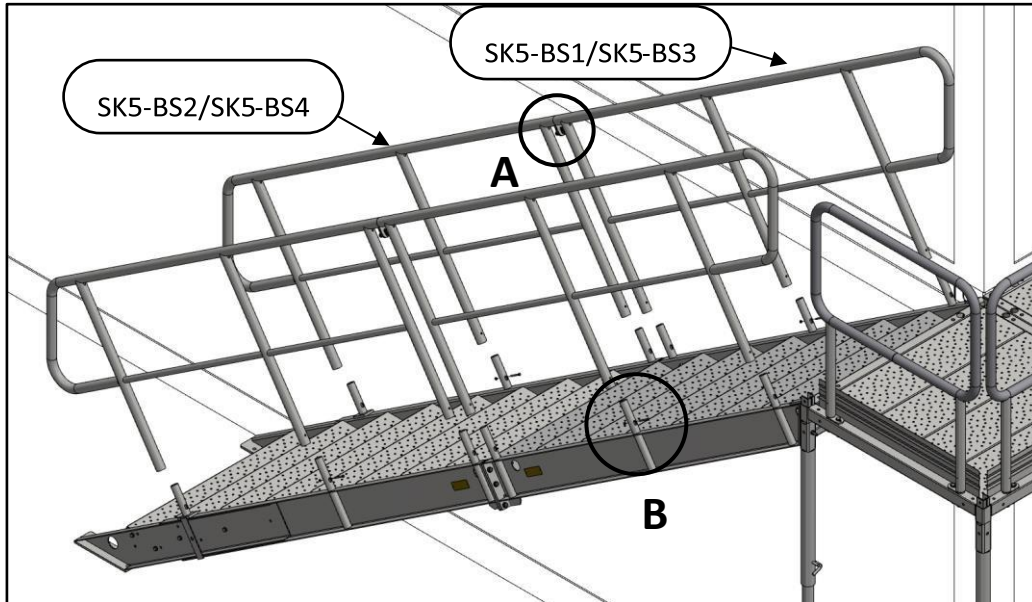
SK5-L2/SK5-L3/ SK5-L11/SK5-L12/ SK5-L16



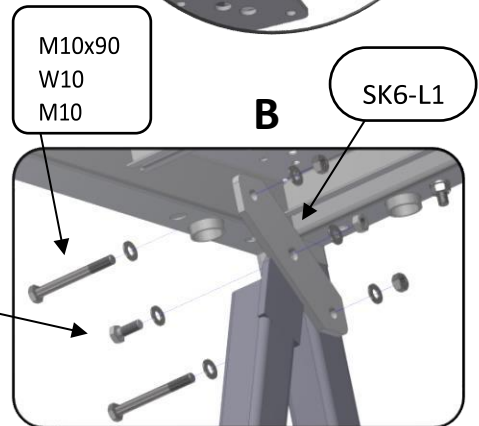
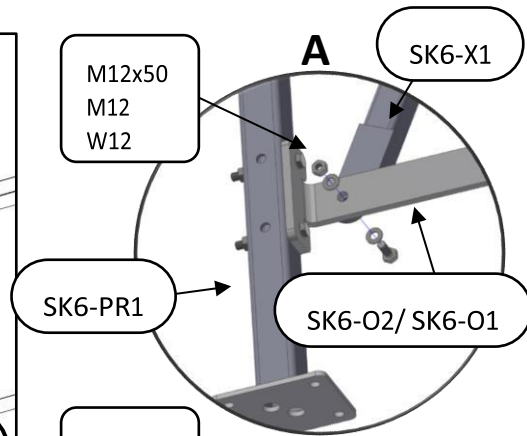
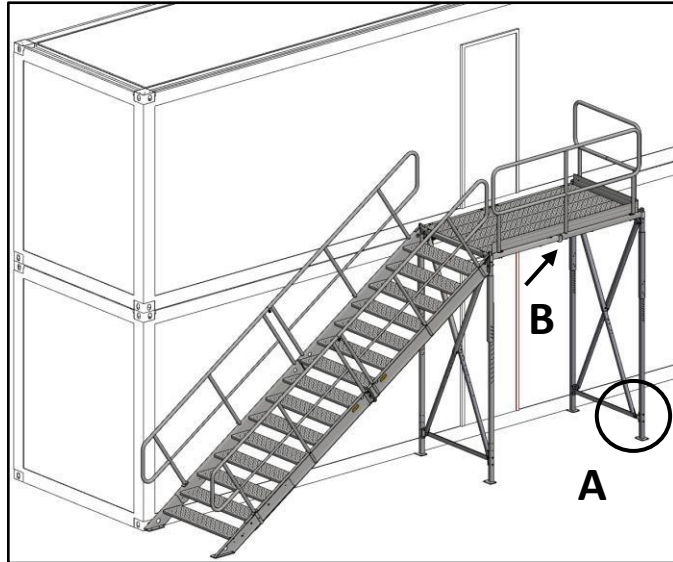
The railings are assembled by placing the railing in the platform socket, then screwing the railing to the platform with a set of screws, washers, nuts.



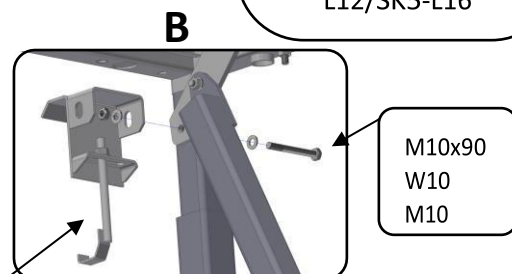
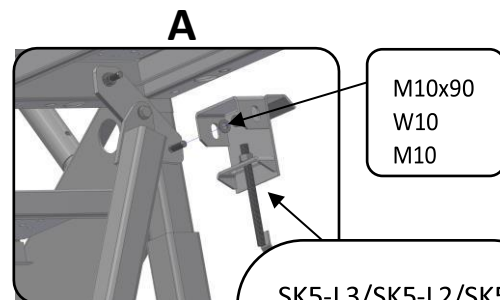
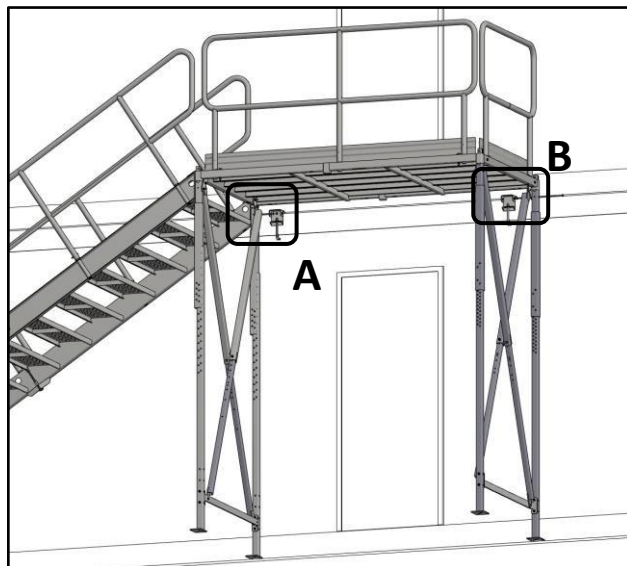
The stair railing is assembled by placing railing in the stair spindles, and then securing it with a bolt and nut set. To secure the barrier against pulling out, at least one screw per barrier should be used.



When the platforms are assembled only on posts, it is necessary to assemble the braces and screw them to the container frame with L2/L3/L11/L12/L16 connectors.

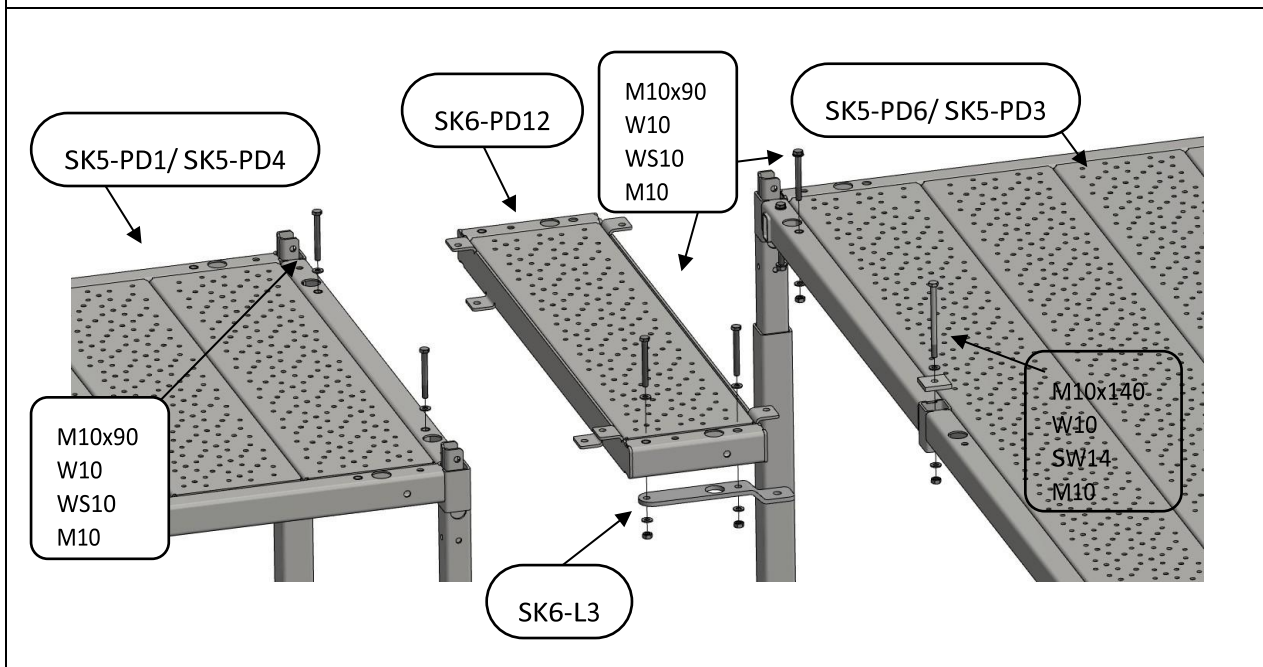
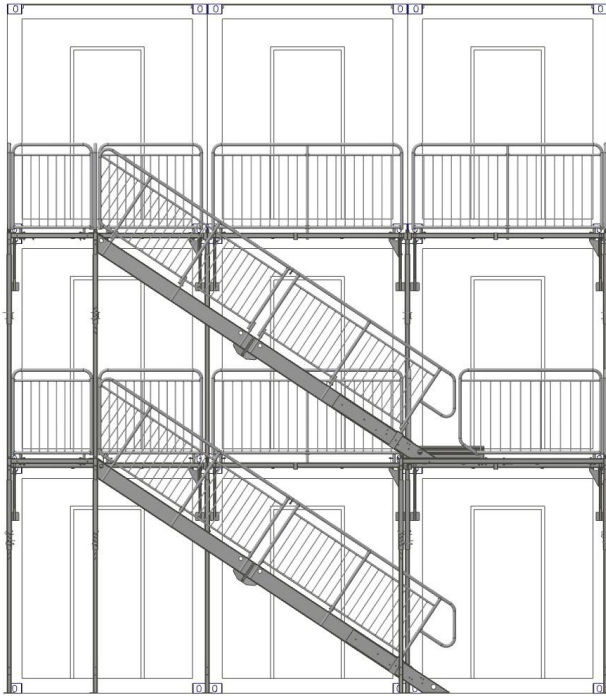


M12x50  
M12  
W12

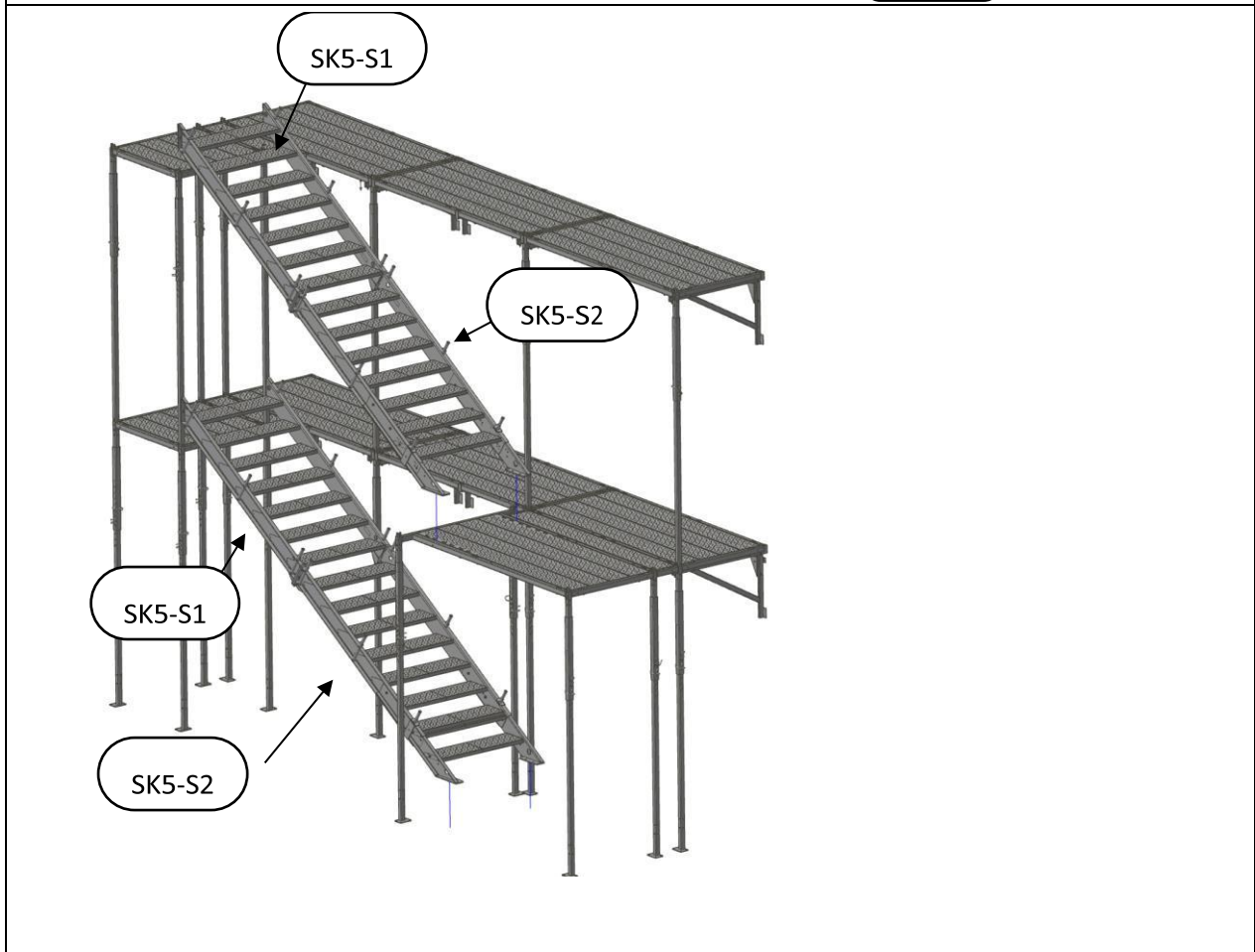
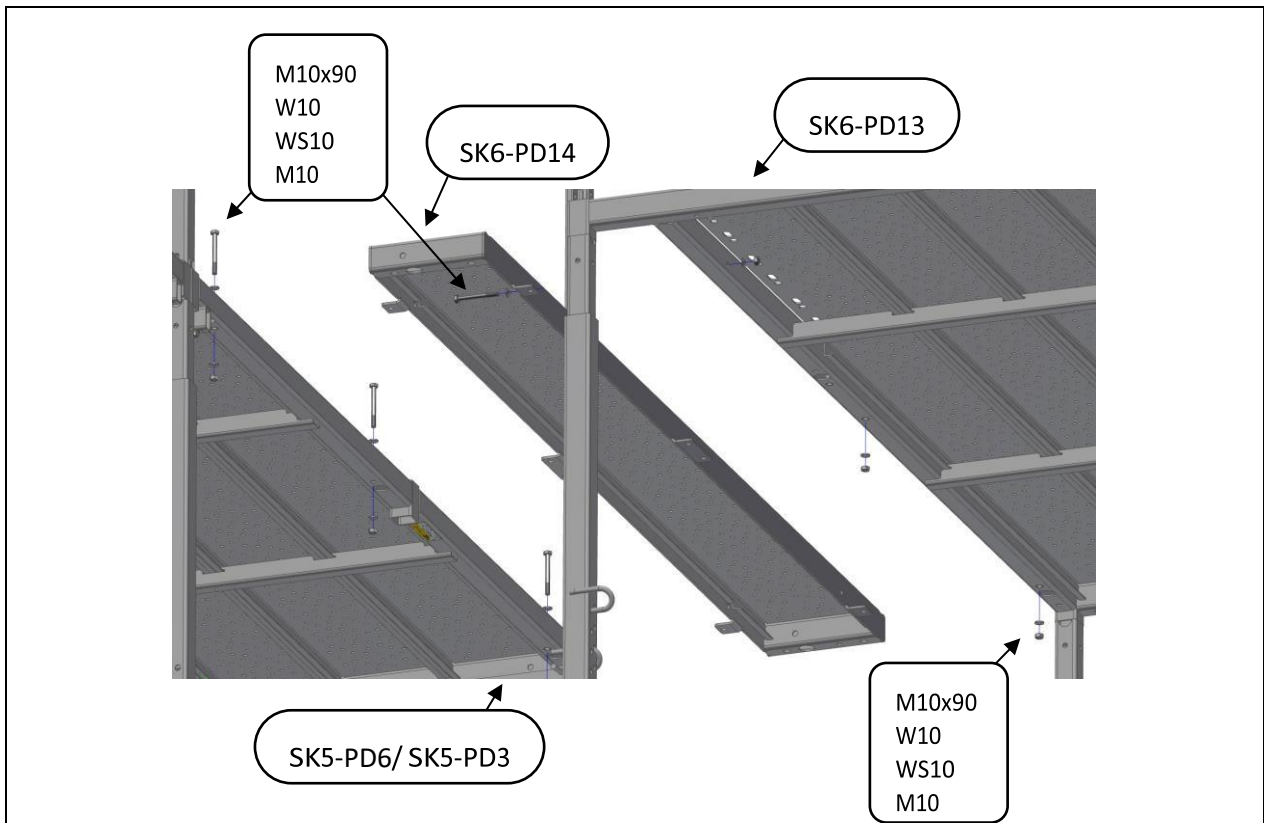


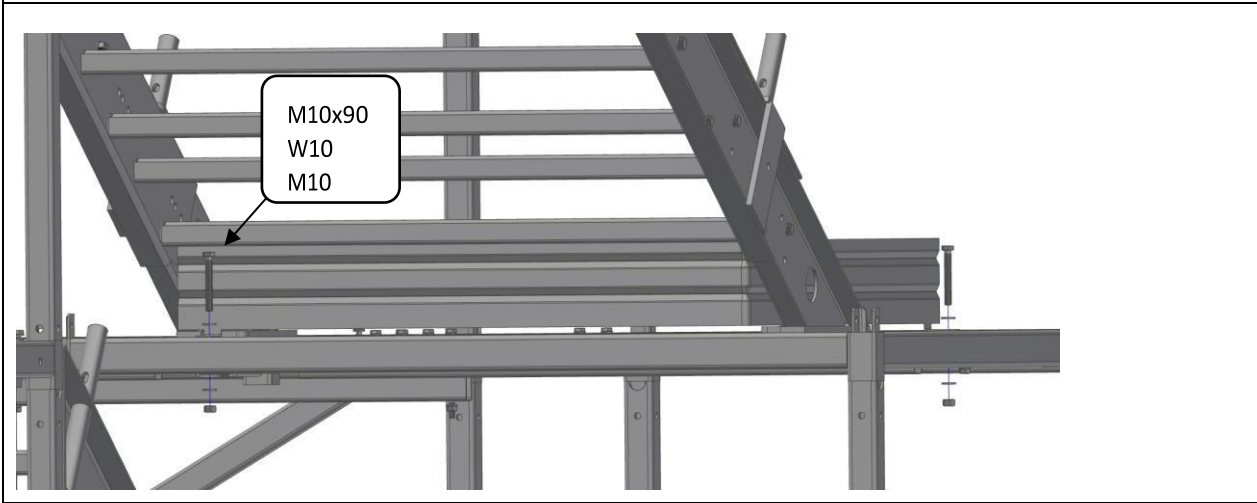
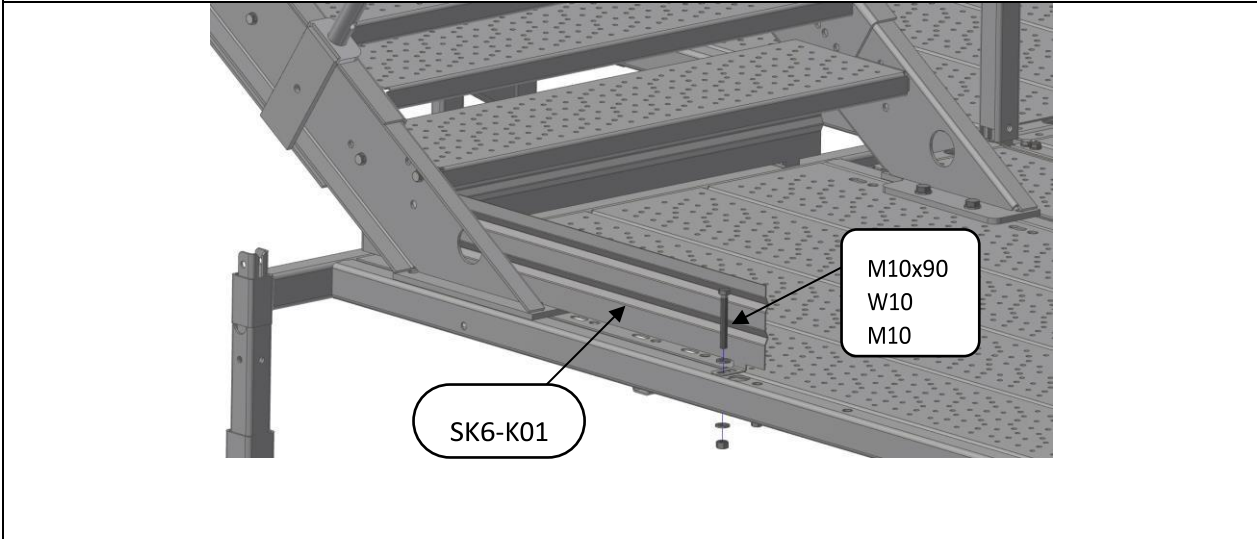
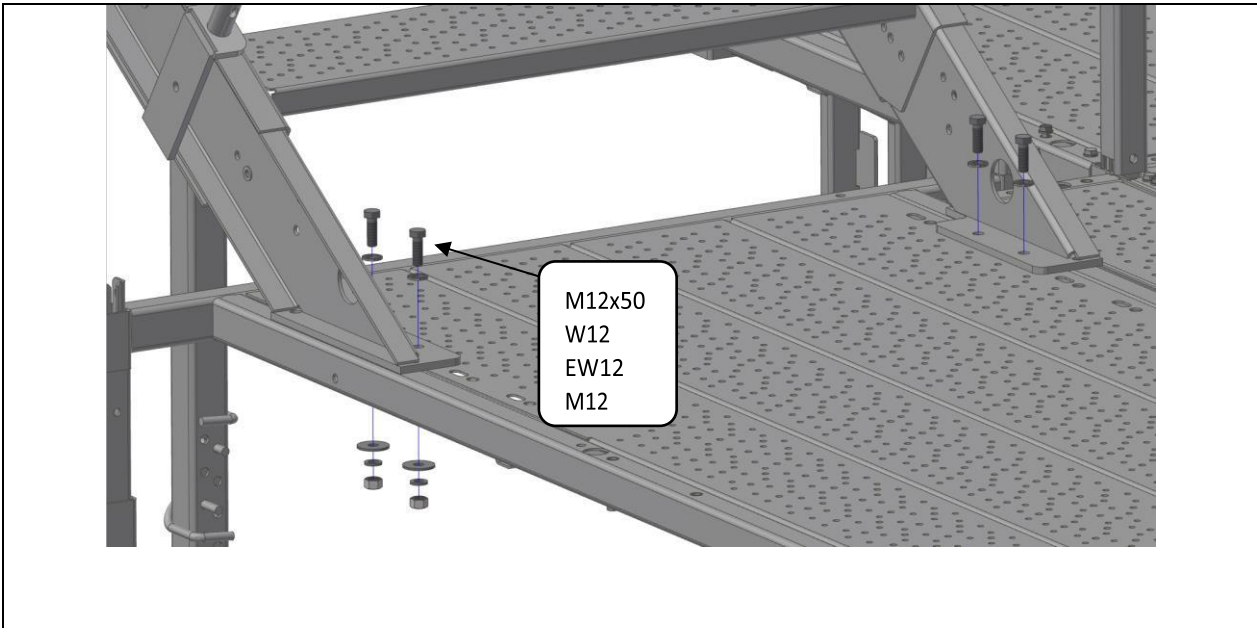
SK5-L3/SK5-L2/SK5-L12/SK5-L16

When assembling the configuration with the entry to the second level, the minimum required number of office containers is 9.

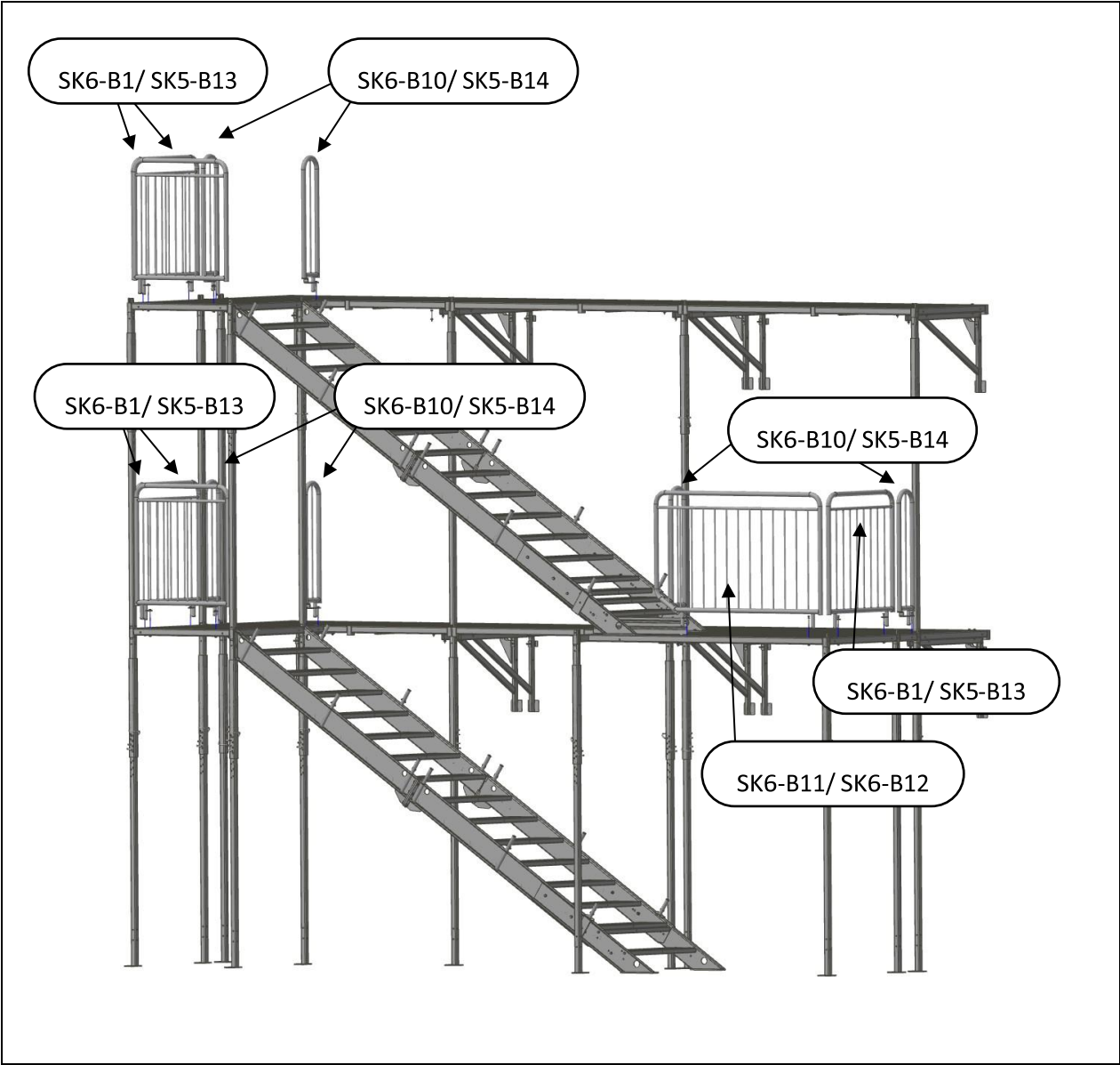




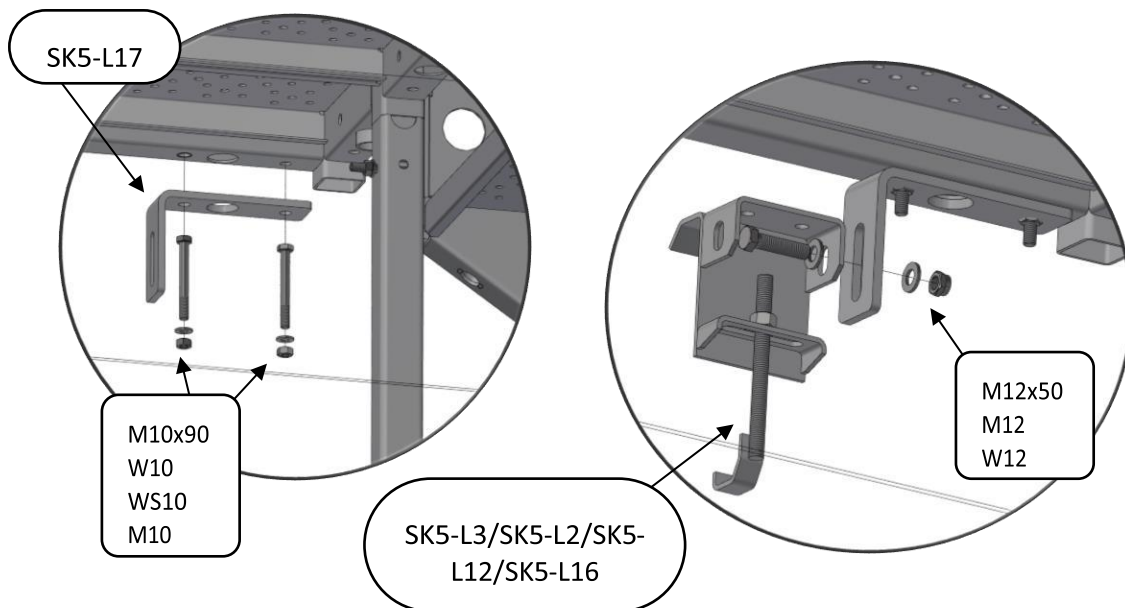
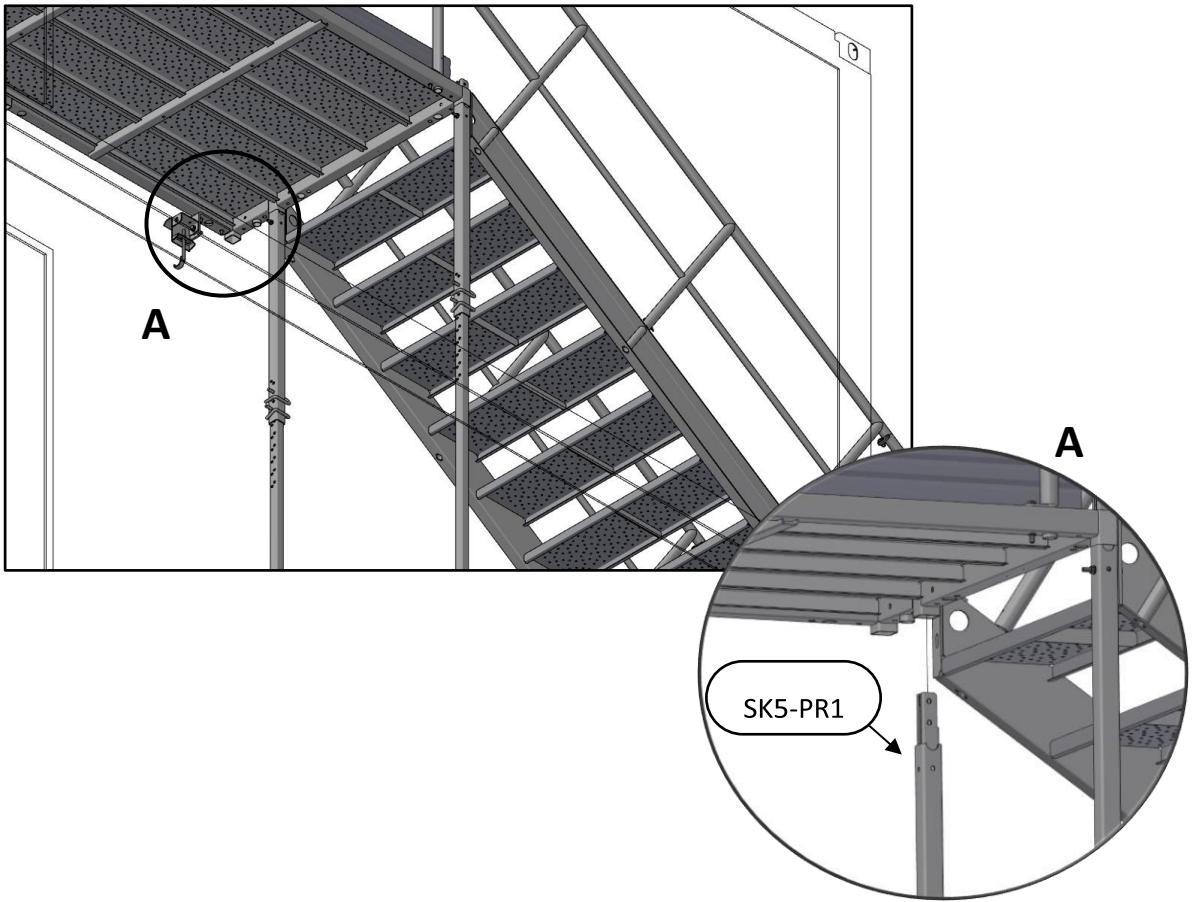




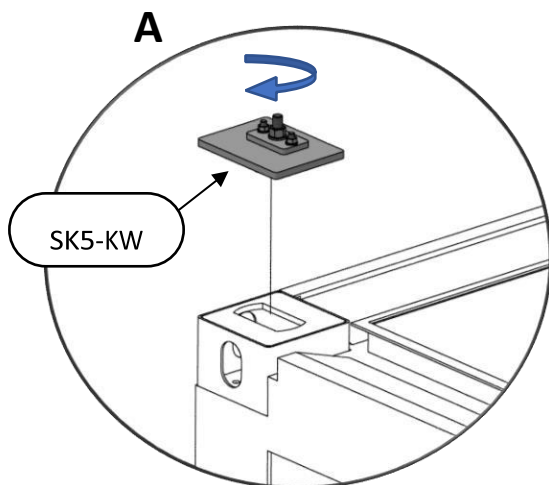
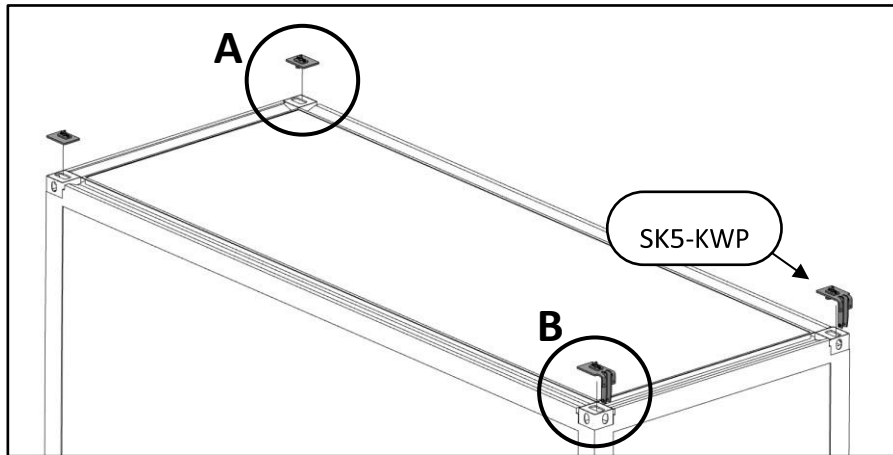




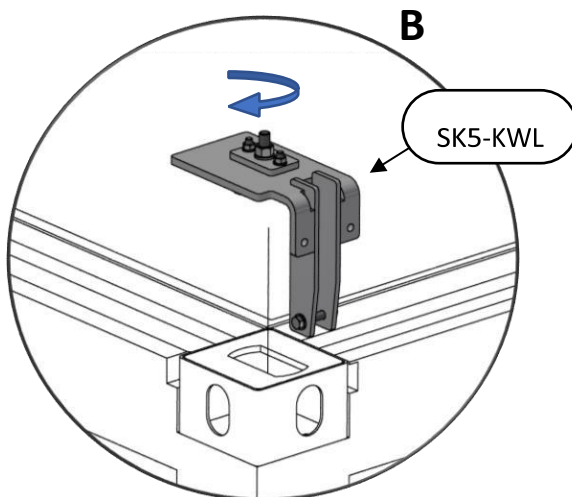
When assembling the SK6-P9 platform, the SK5-L17 connector should be used additionally.



If it is necessary to reduce the load on the container socket, it is possible to use the SK5-KWP, SK5-KWL and SK5-KW bracket consoles. They replace the P-SK-ZW bracket clamp. Once attached, the consoles should be secured by turning the central lock.



**Mounting position**



**Secured position**

