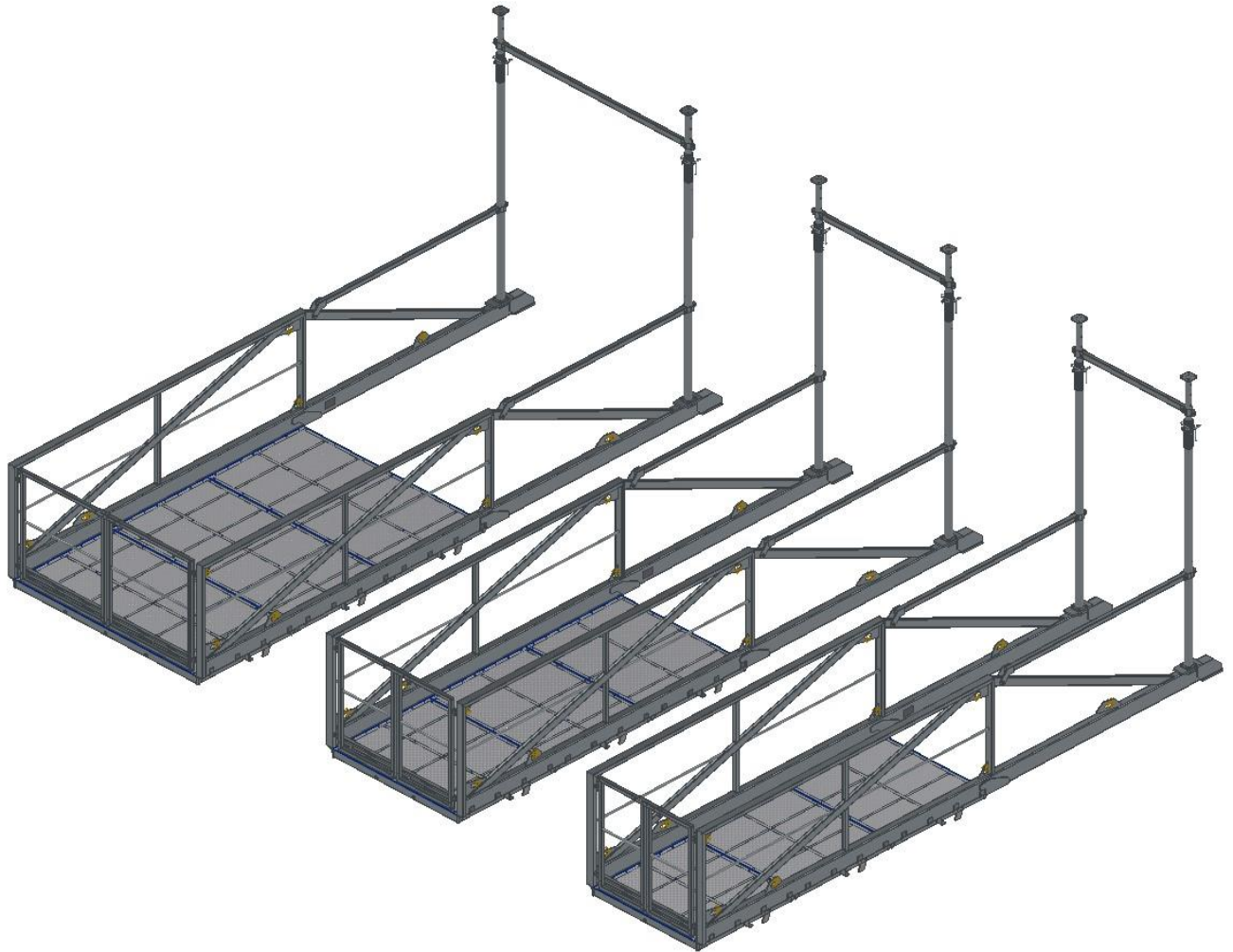


Manual Loading & Unloading Platform



Components

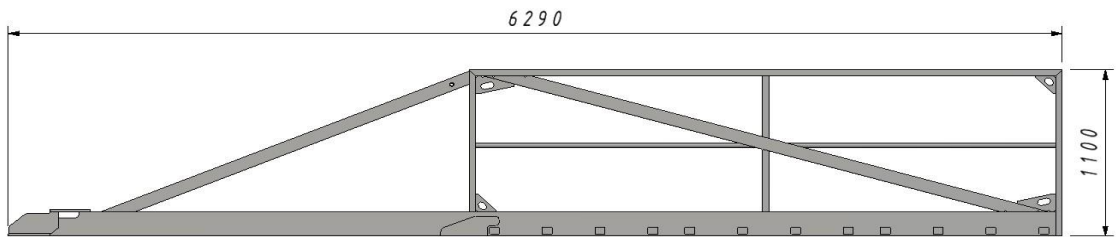
Name	Artikelnumbe	Weight (kg)	Quantity
Right unloading ramp frame	TUP-RA1	180	1
Left unloading ramp frame	TUP-RA2	180	1
Unloading ramp platform 2.2	TUP-M1	103	3
Unloading ramp platform 1.5	TUP-M2	78	3
Unloading ramp 1.25	TUP-M3	69	3
Right unloading ramp gate 2.2	TUP-FR1	17	1
Left unloading ramp gate 2.2	TUP-FR2	17	1
Right unloading ramp gate 1.5	TUP-FR3	14	1
Left unloading ramp gate 1.5	TUP-FR4	14	1
Right unloading ramp gate 1.25	TUP-FR5	13	1
Left unloading ramp gate 1.25	TUP-FR6	13	1
Support	E-400	27	2
Clamping beam 2.2	TUP-B1	11	2
Posts bolt 2.2	TUP-B2	10	1
Posts bolt 1.5	TUP-B3	7	1
Posts bolt 1.25	TUP-B4	6	1
Beam connector	TUP-A5	0,65	2
Bolt connector	TUP-A6	0,64	2
Gate lock	TUP-Z1	1	1
Empty platform panel 2.2	TUP-O4	0,8	2
Empty platform panel 1.5	TUP-O5	0,5	2
Empty platform panel 1.25	TUP-O6	0,4	2
Gate panel P1A	TUP-P1A	2,9	2
Gate panel P1B	TUP-P1B	1,9	2
Gate panel P1C	TUP-P1C	1,5	2
Side panel P2	TUP-P2	4,6	4

Fasteners

No.	ID.	Weight (kg)	Quantity
A	Bolt ISO 4017 M10x35	0,032	4
B	Bolt ISO 4017 M10x70	0,054	3
C	Bolt ISO 4017 M10x80	0,060	2
D	Bolt ISO 4017 M12x110	0,114	6
E	Bolt ISO 4017 M12x45	0,056	8
F	Bolt ISO 4017 M16x40	0,101	24
G	Bolt ISO 4017 M16x90	0,180	2
H	Self-locking nut ISO 10511 M10	0,009	9
I	Self-locking nut ISO 10511 M12	0,013	14
J	Self-locking nut ISO 10511 M16	0,029	26
K	Washer ISO 7089 10	0,004	18
L	Washer ISO 7089 12	0,006	16
M	Washer ISO 7089 16	0,011	52
N	Washer ISO 7093 12	0,022	12
O	Self-tapping screw DIN 7504 4,8x16	0,004	8
P	T-bolt	0,055	4

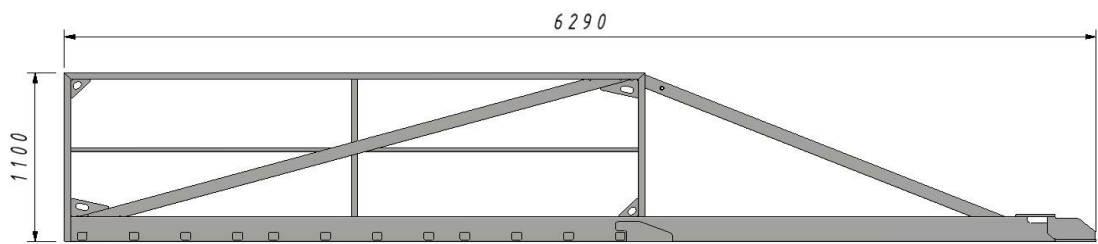
Fastener size	Class 8.8
M10	46 Nm
M12	79 Nm
M16	198 Nm

TB-RA1



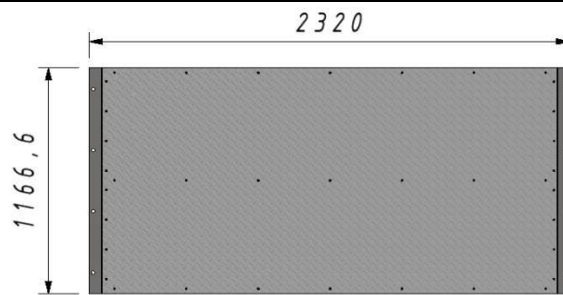
180 kg

TB-RA2



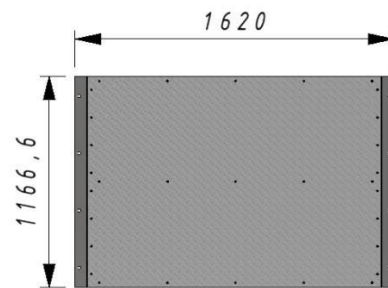
180 kg

TB-M1



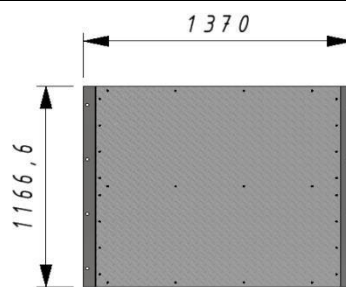
103 kg

TB-M2



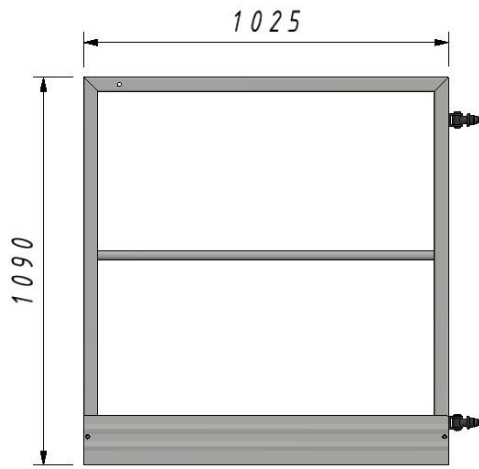
78 kg

TB-M3



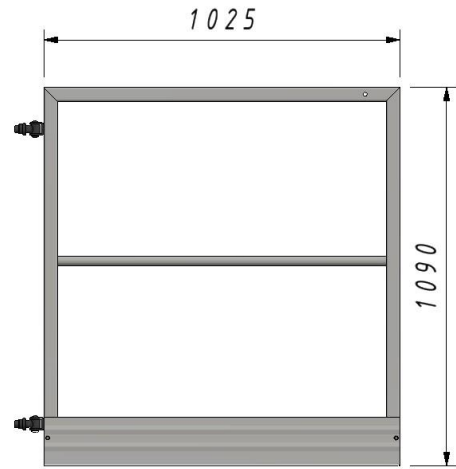
69 kg

TB-FR1



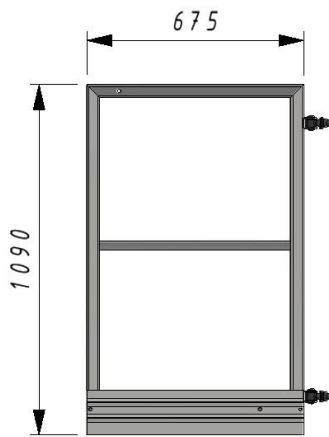
17 kg

TB-FR2



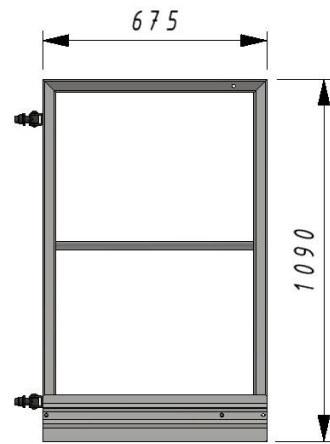
17 kg

TB-FR3



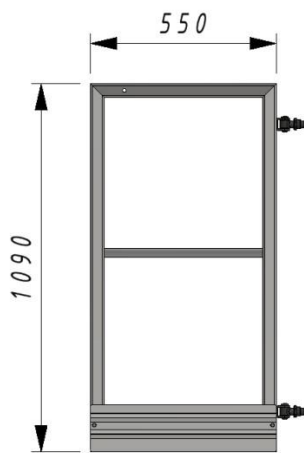
14 kg

TB-FR4



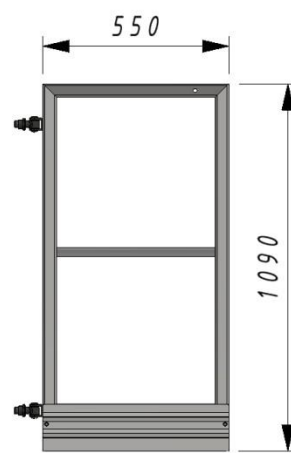
14 kg

TB-FR5



13 kg

TB-FR6



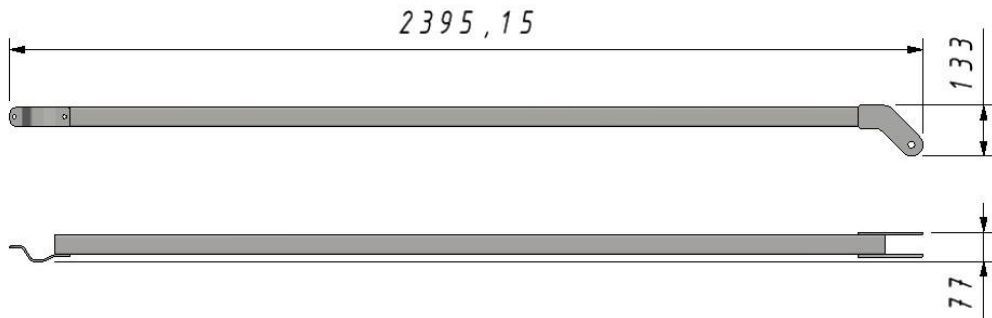
13 kg

Peri PEP Ergo D-400



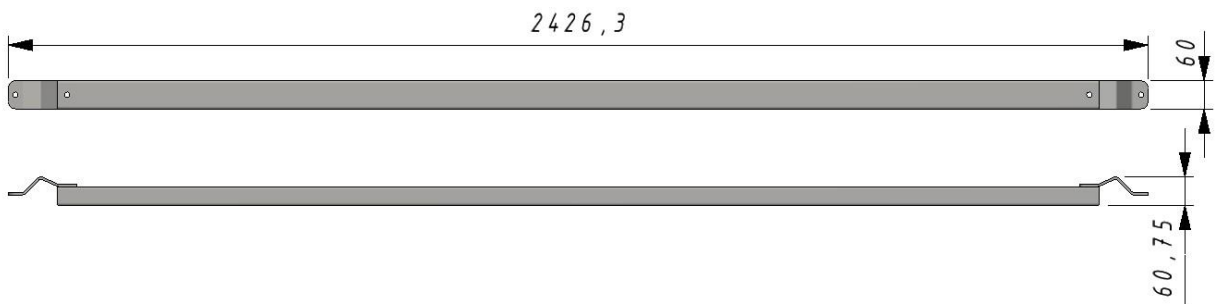
27 kg

TB-B1



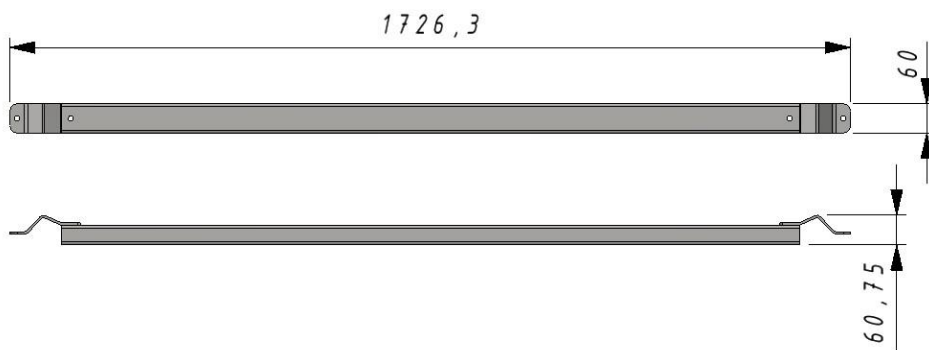
11 kg

TB-B2



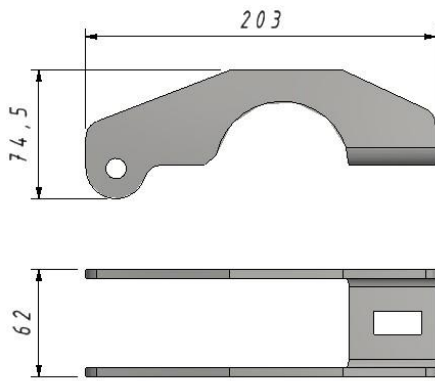
10 kg

TB-B3



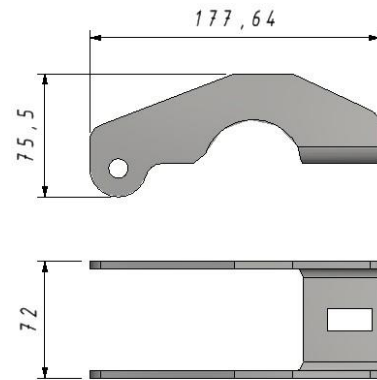
7 kg

TB-A5



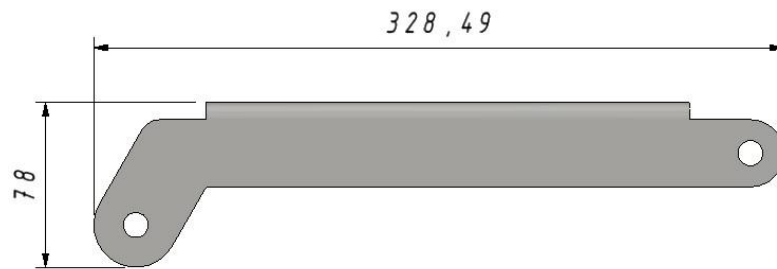
0,65 kg

TB-A6



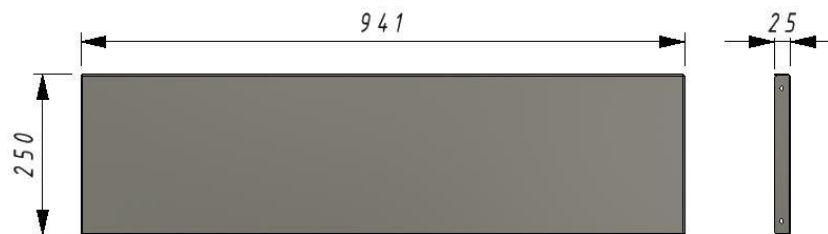
0.64 kg

TB-Z1



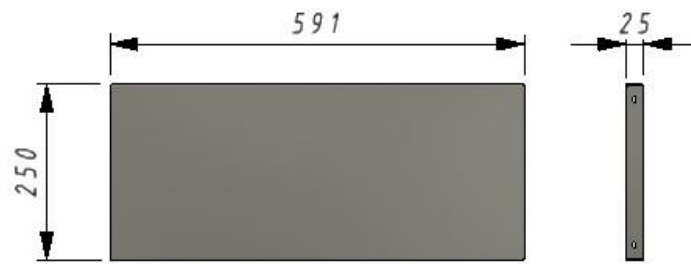
1 kg

TUP-O4



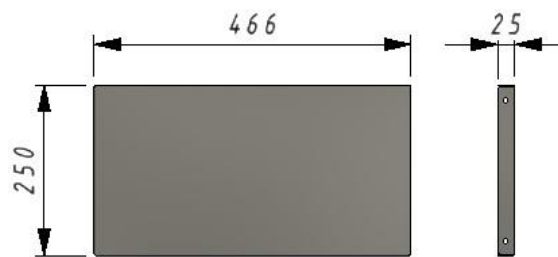
0,80 kg

TUP-O5



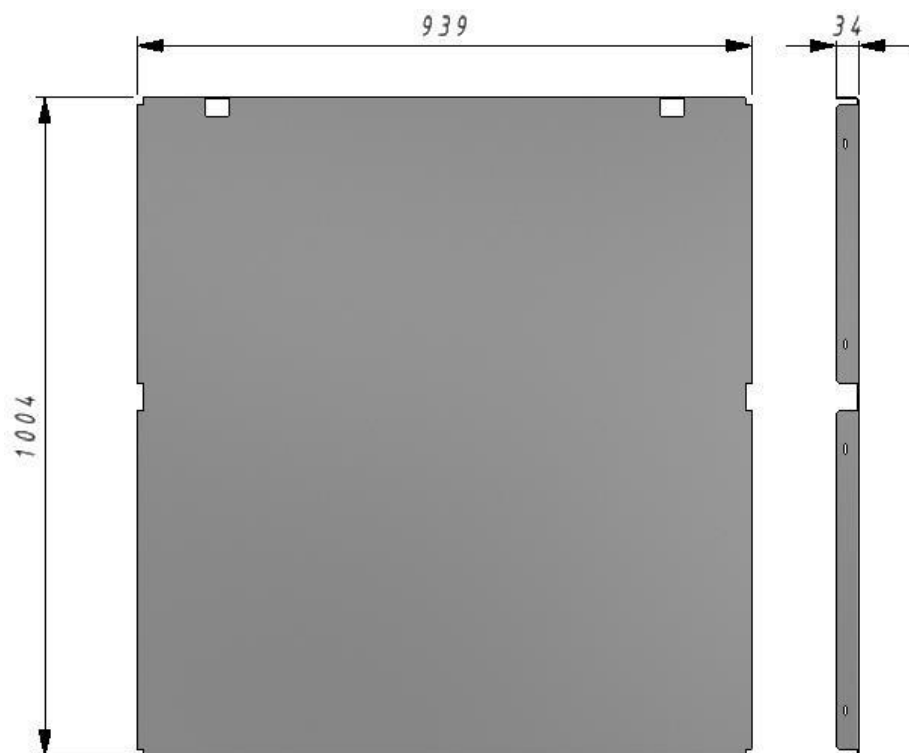
0,52 kg

TUP-O6



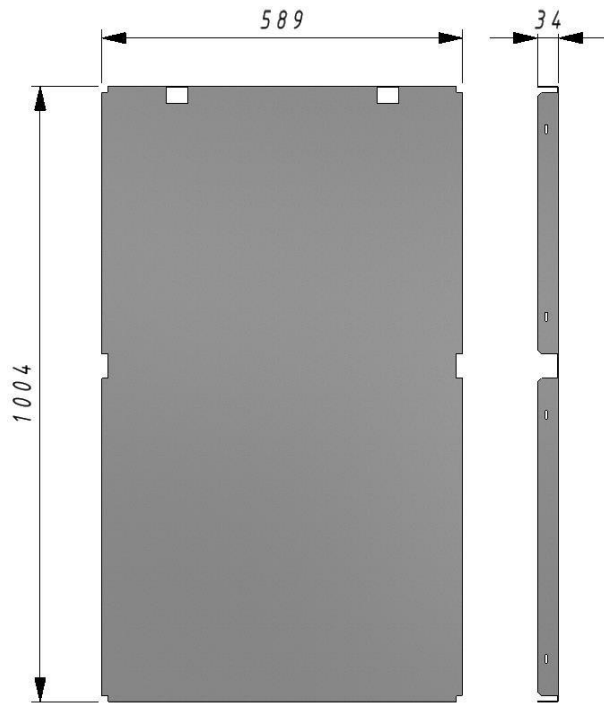
0,42 kg

TUP-P1a



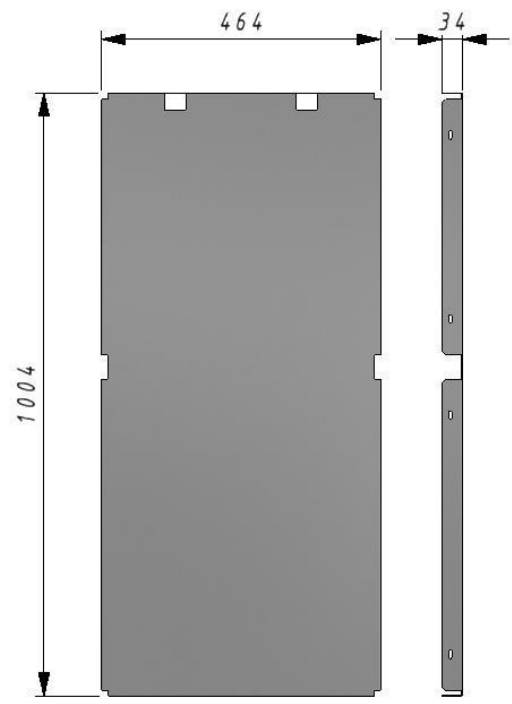
2,91 kg

TUP-P1b



1,89 kg

TUP-P1c



1,53 kg

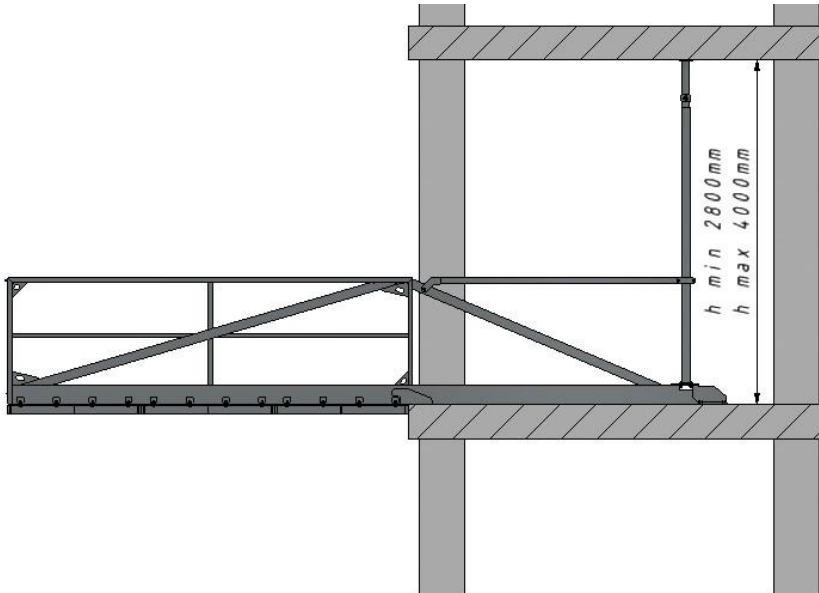
TUP-P2



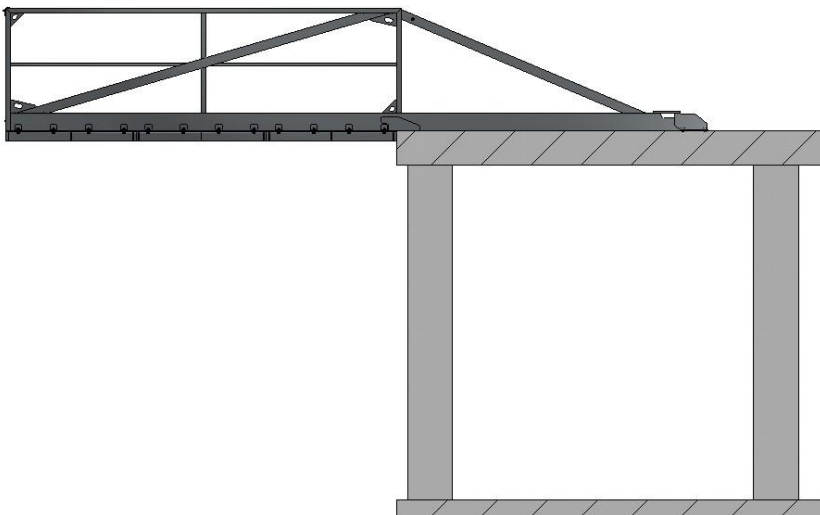
4,61kg

Assembly

Between floors:

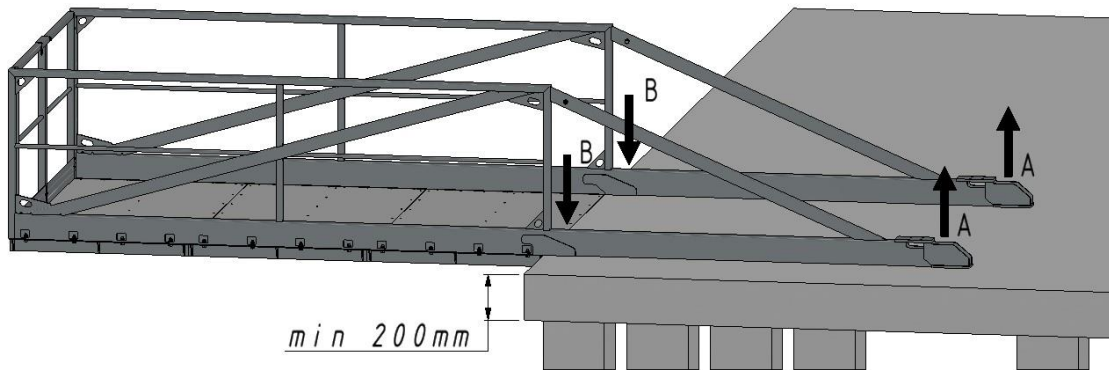


Anchoring to the ceiling:



Between floors:

In the case of assembly between floors, the minimum height between the floors should not be less than 2800 mm, and the maximum height should not exceed 4000 mm.

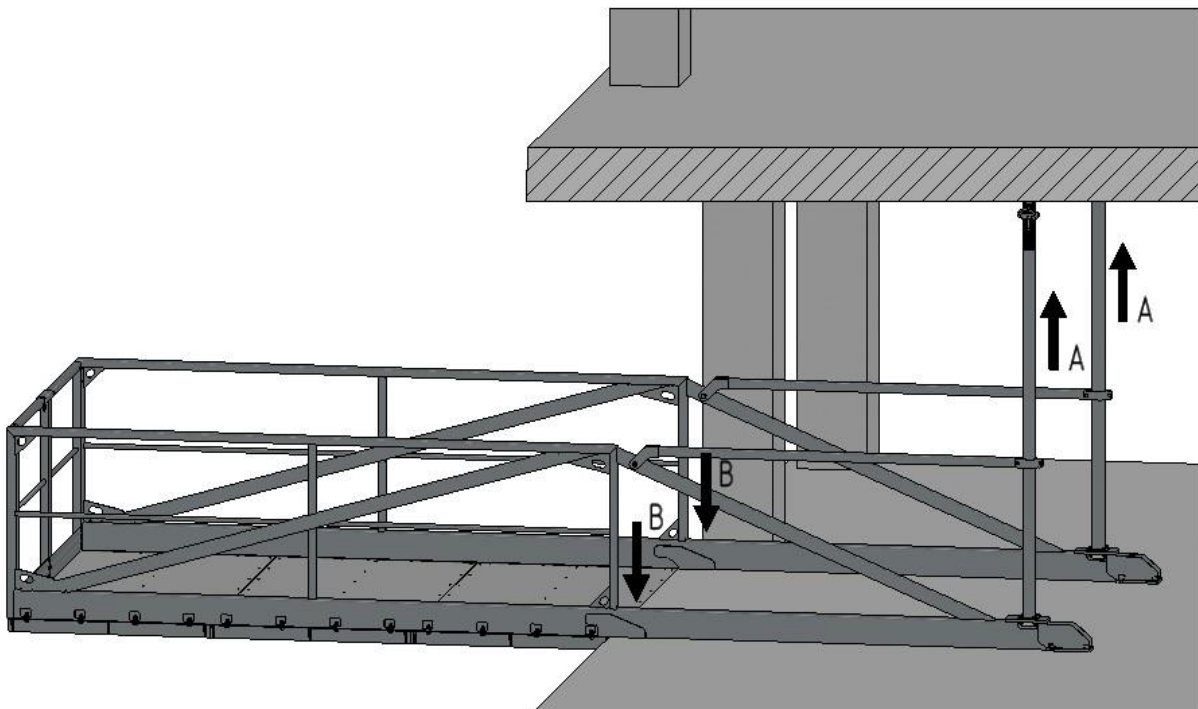


Anchoring to the ceiling:

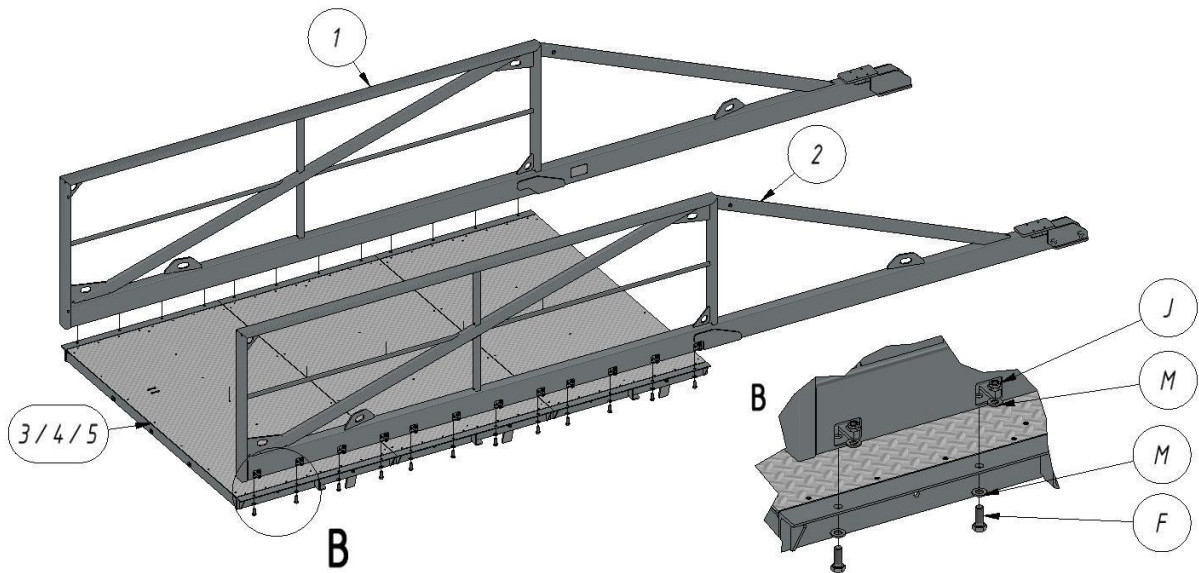
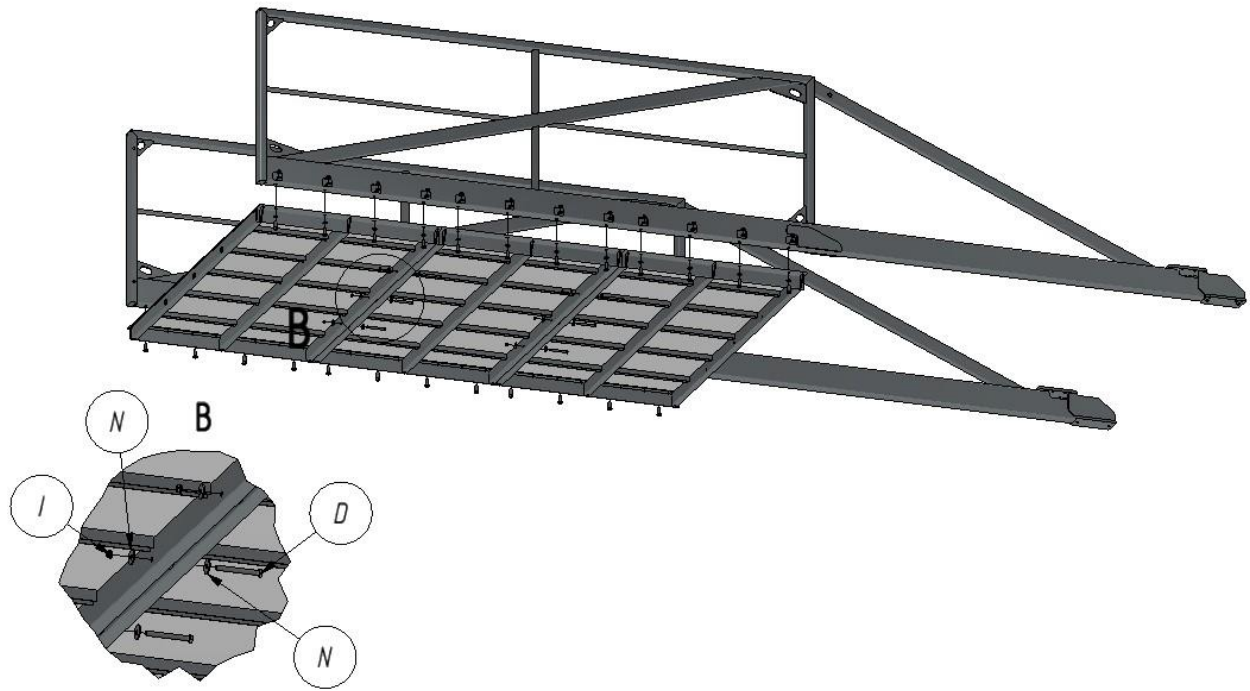
In the case of assembly by anchoring to the ceiling, use the mounting elements indicated in the manual. In both cases, the thickness of the ceiling/floor should not be less than 200mm and the concrete it is made of should reach the designed load capacity.

In both cases, the thickness of the ceiling/floor must not be less than 200 mm. Before starting installation, action is required on the following points: vereist:

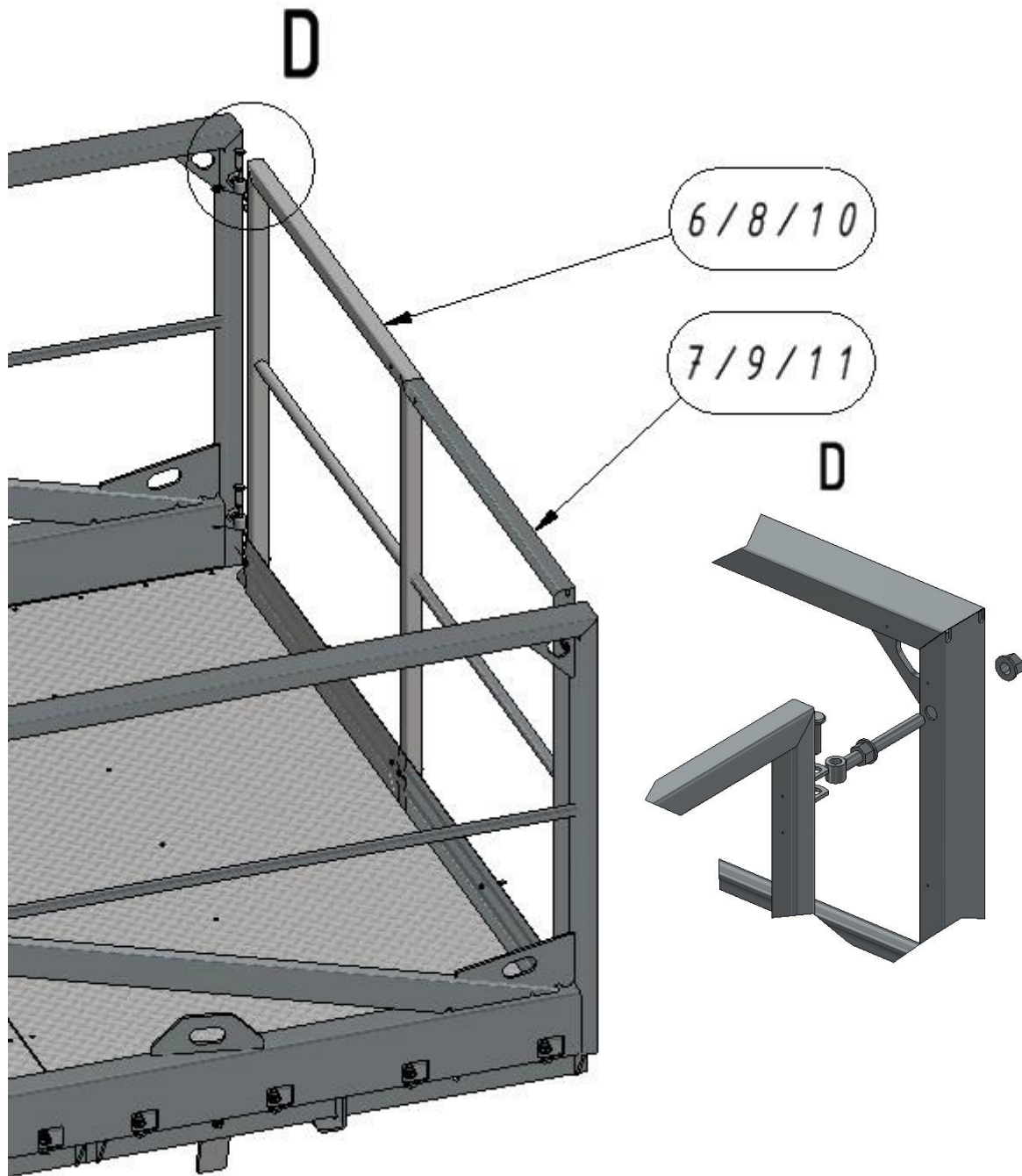
- Visually check the condition of the ramp components in order to detect any damage.
- Make sure that the structure element to which the ramp will be attached will withstand
- the load Select the appropriate anchors for the load.

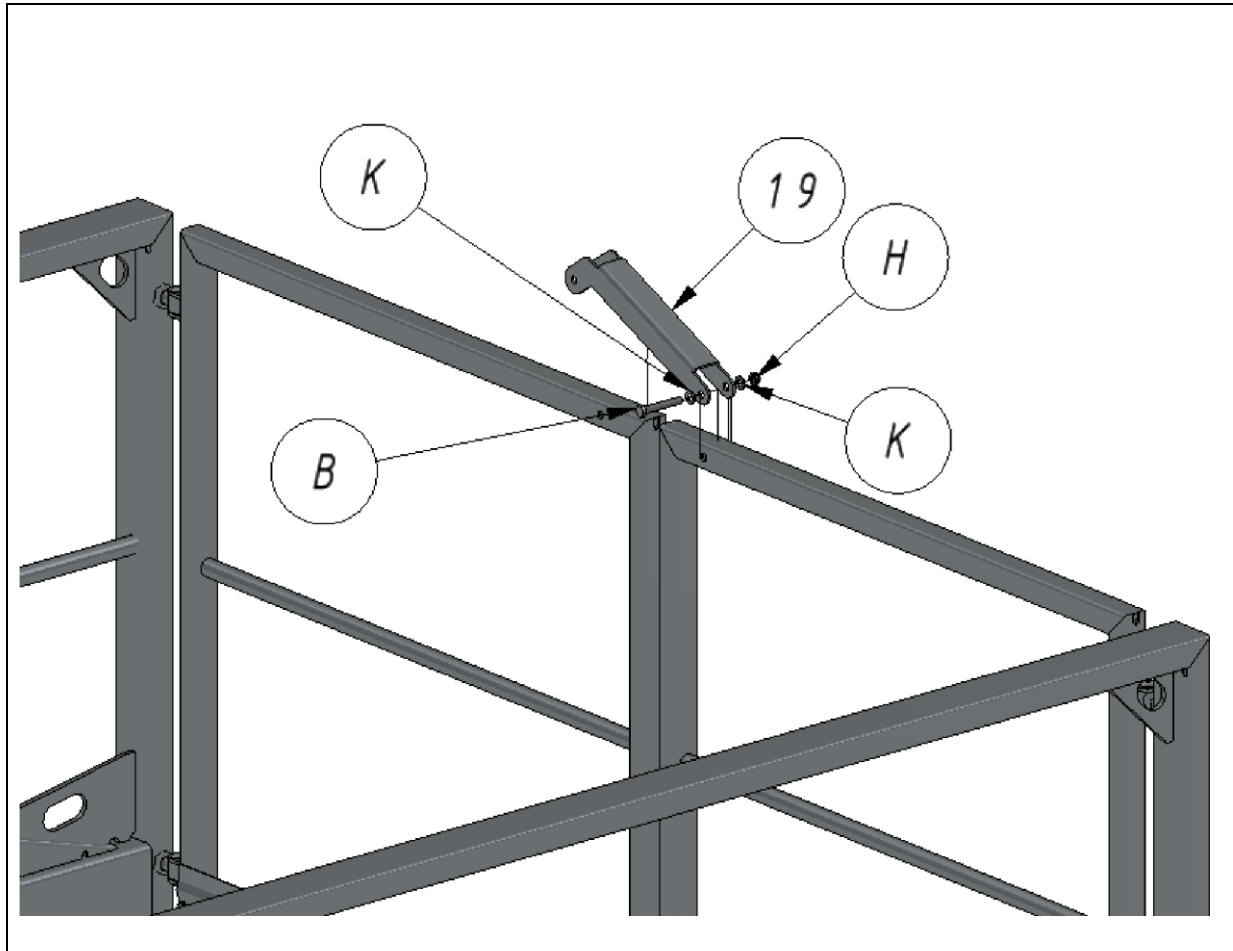


Assembly of beams, platform.

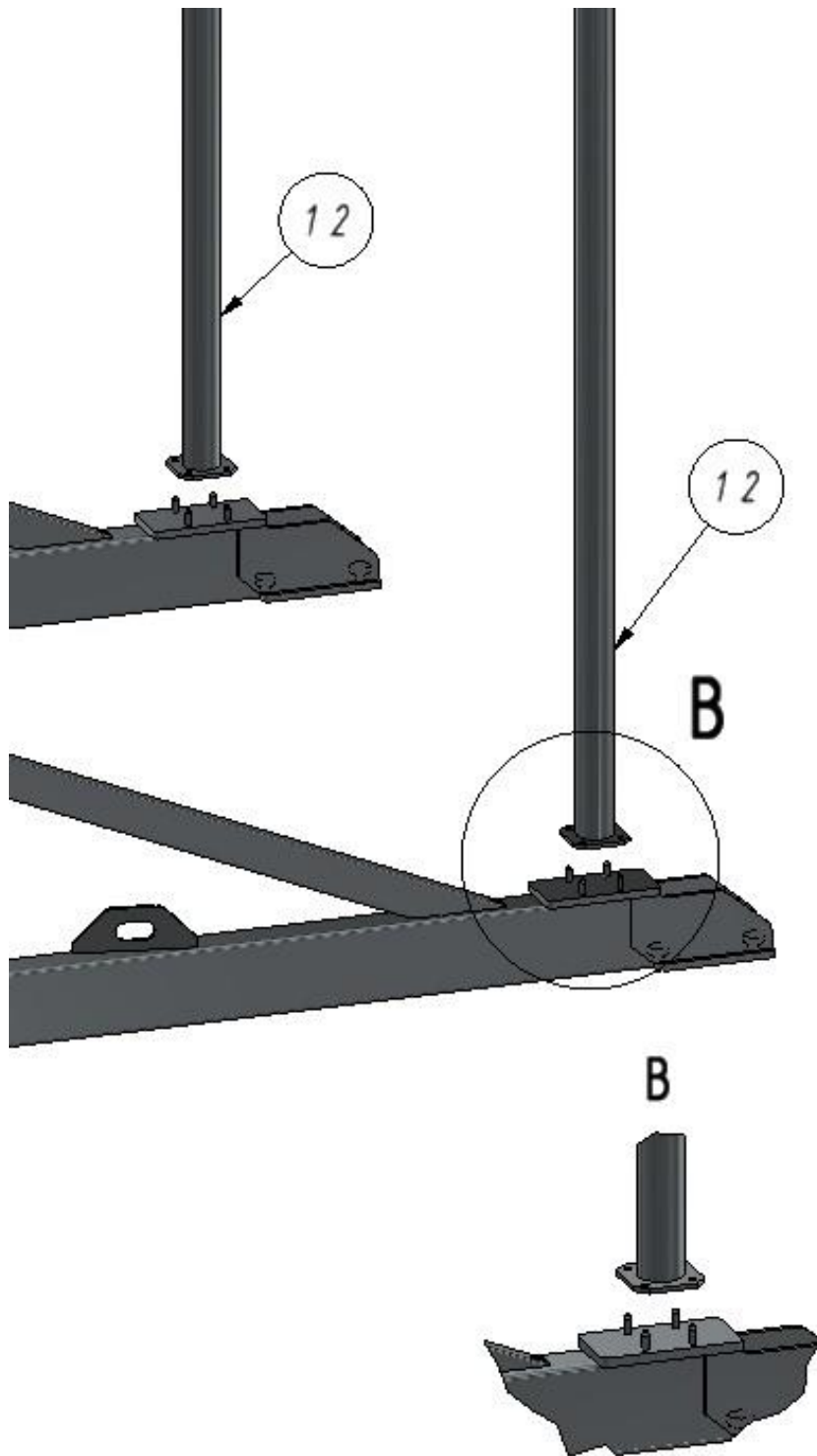


Gate assembly.

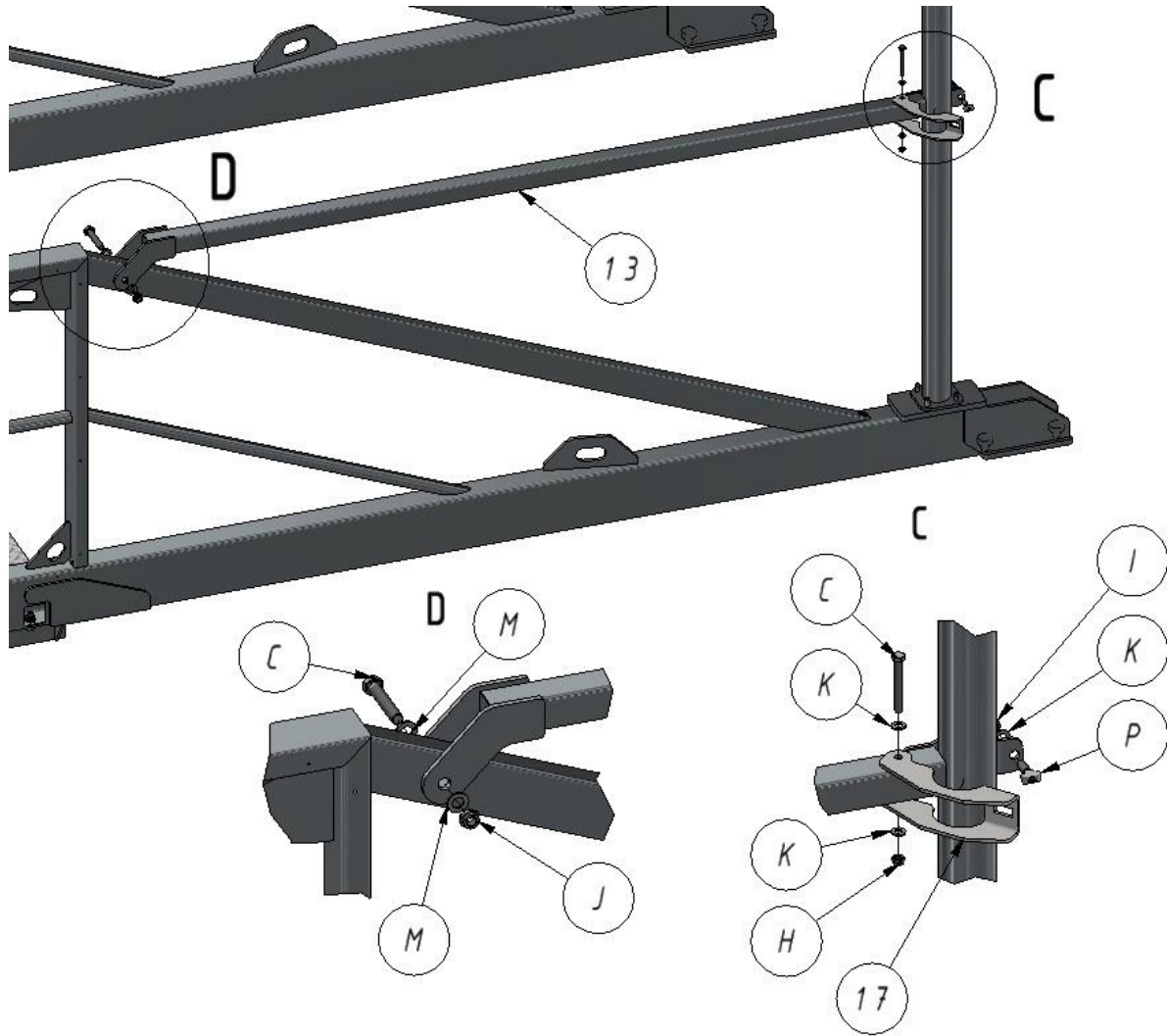




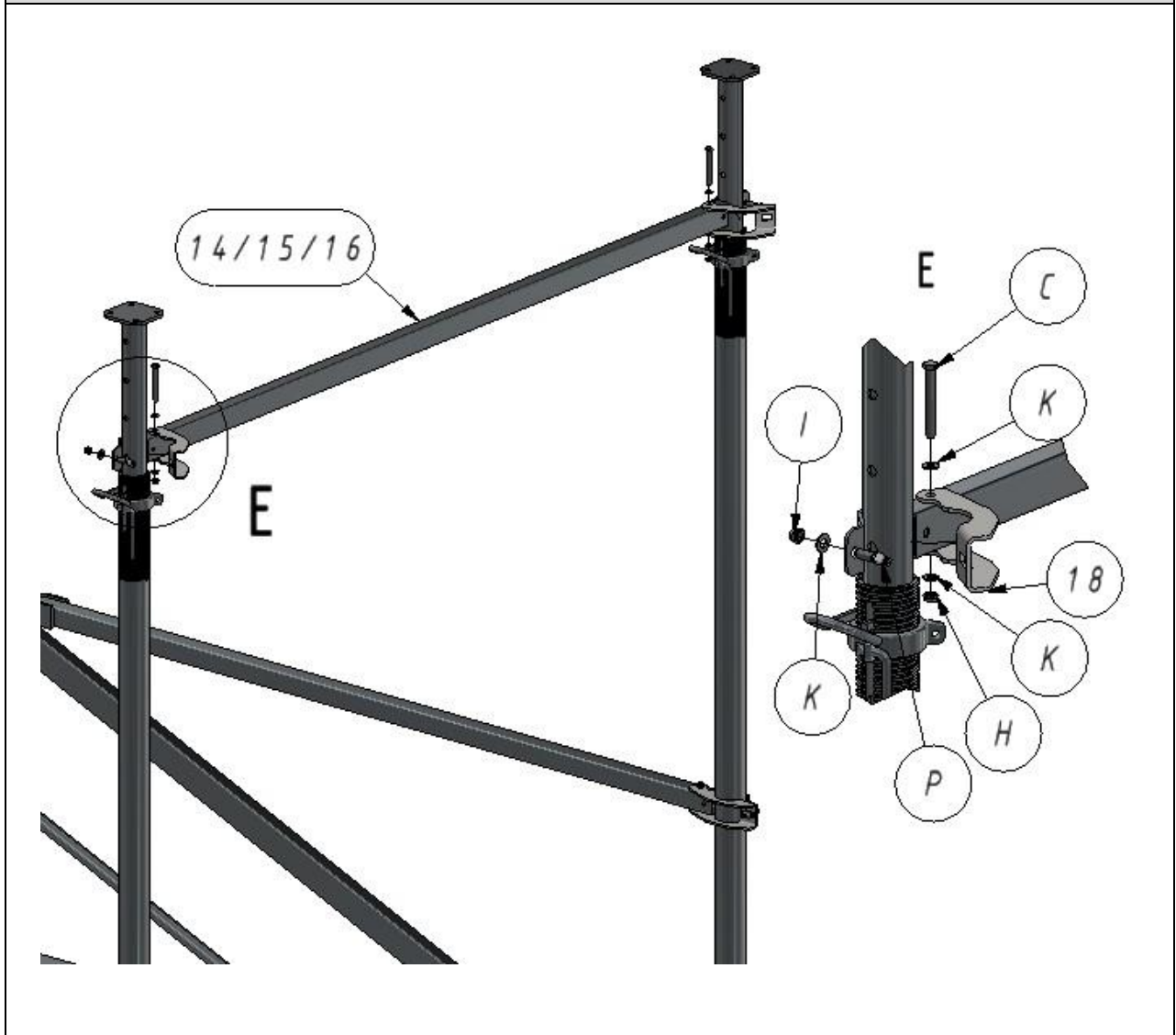
Posts assembly.



Assembly of the clamping beam.

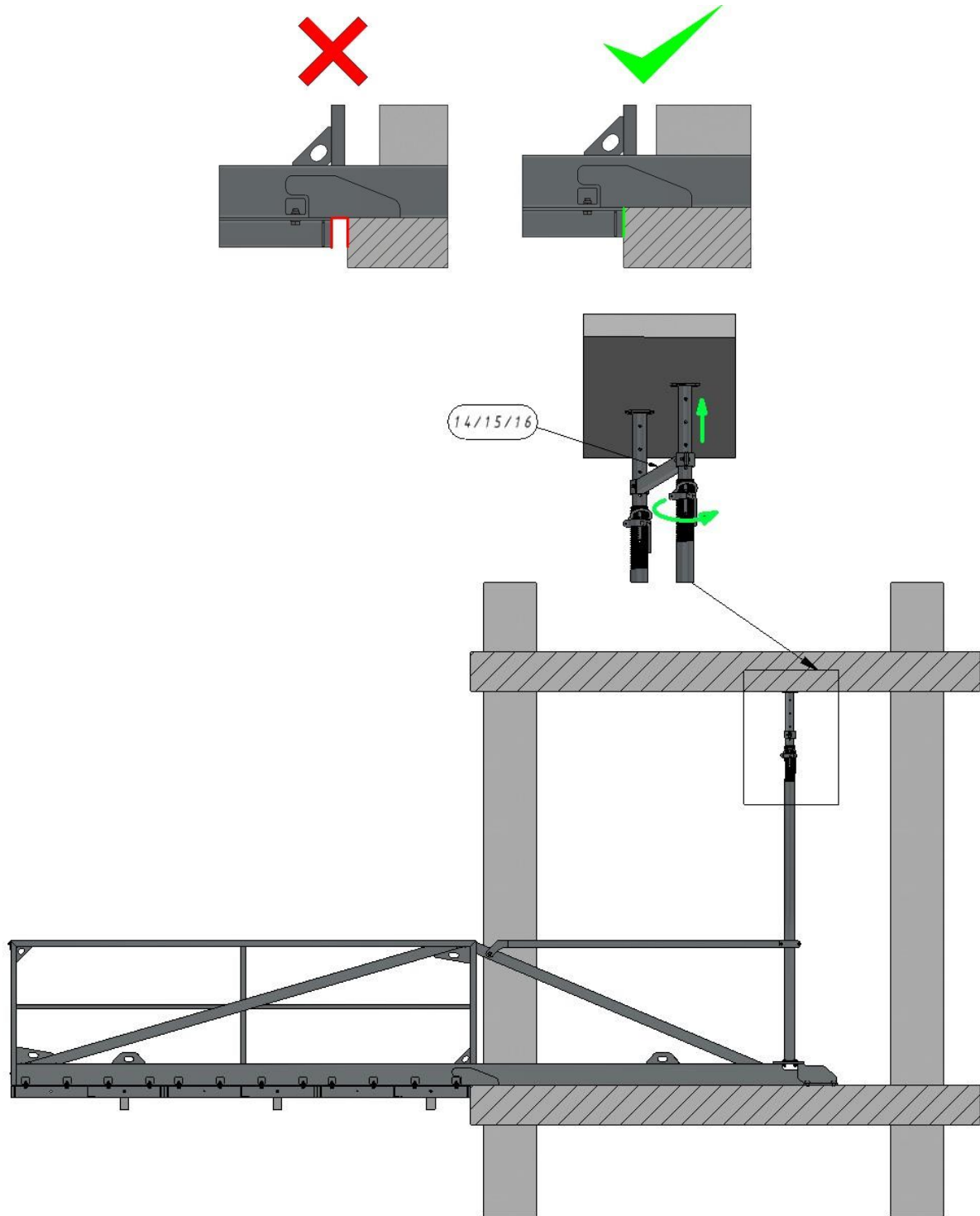


Bolt assembly.

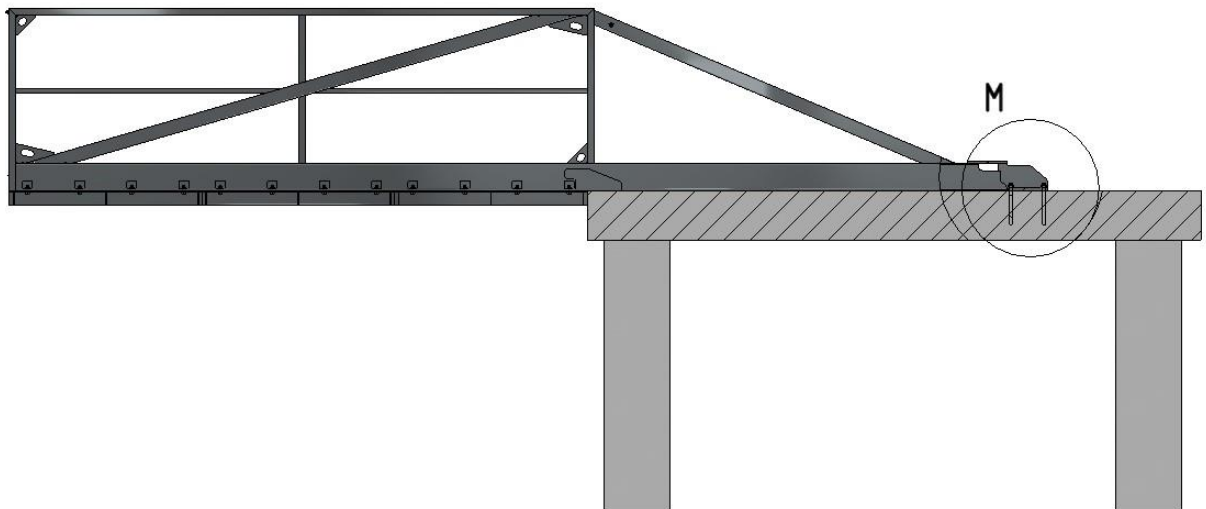
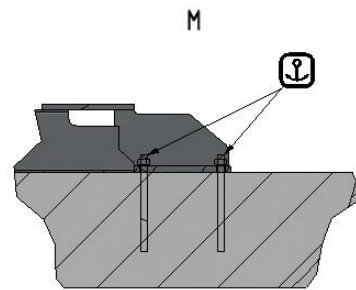
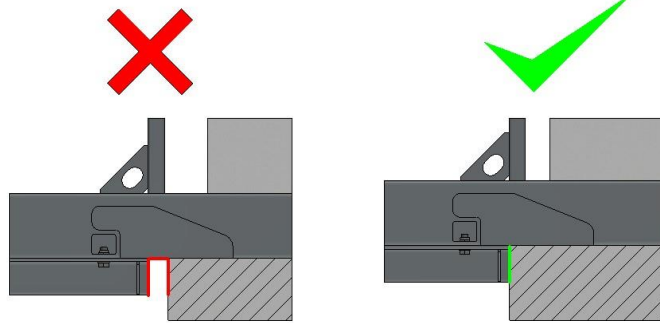


Ceiling assembly with the use of posts.

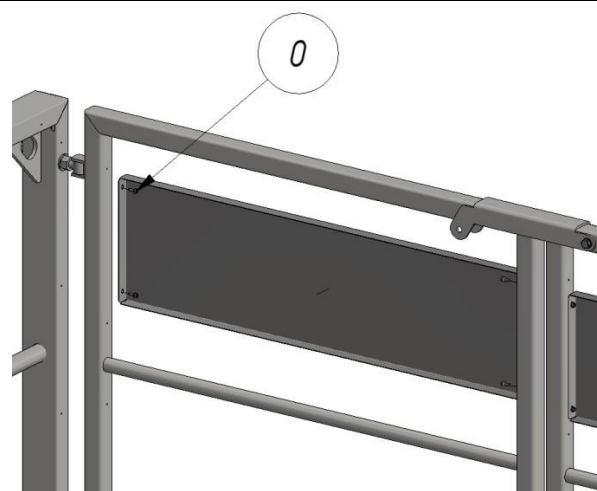
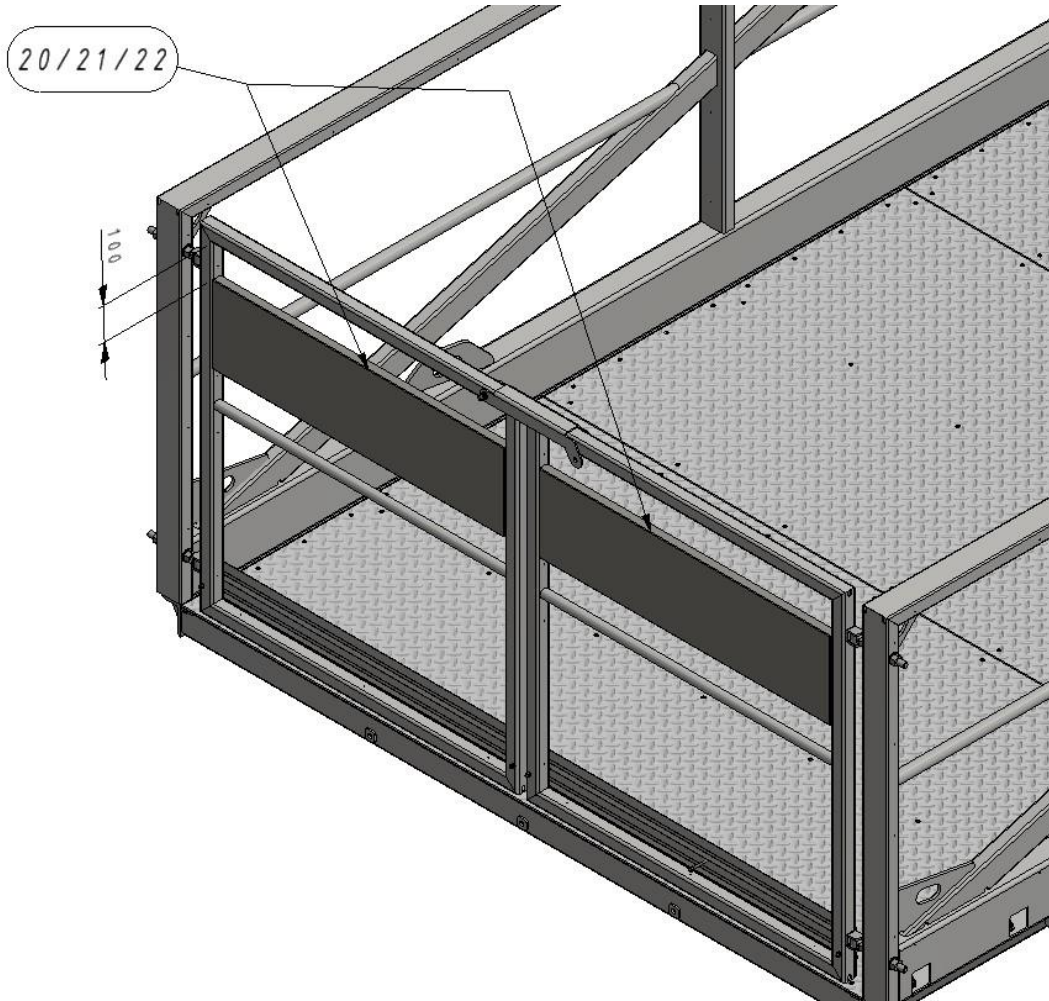
The clamps fastening the bolt should be screwed loosely, allowing for easy adjustment of the height of the posts. Before tightening, the posts should be positioned perpendicular to the floor and the ceiling. After tightening the posts, tighten the bolt clamps.



Ceiling mounting with anchors.



Assembly of panels on gates.



Assembly of full panels.

